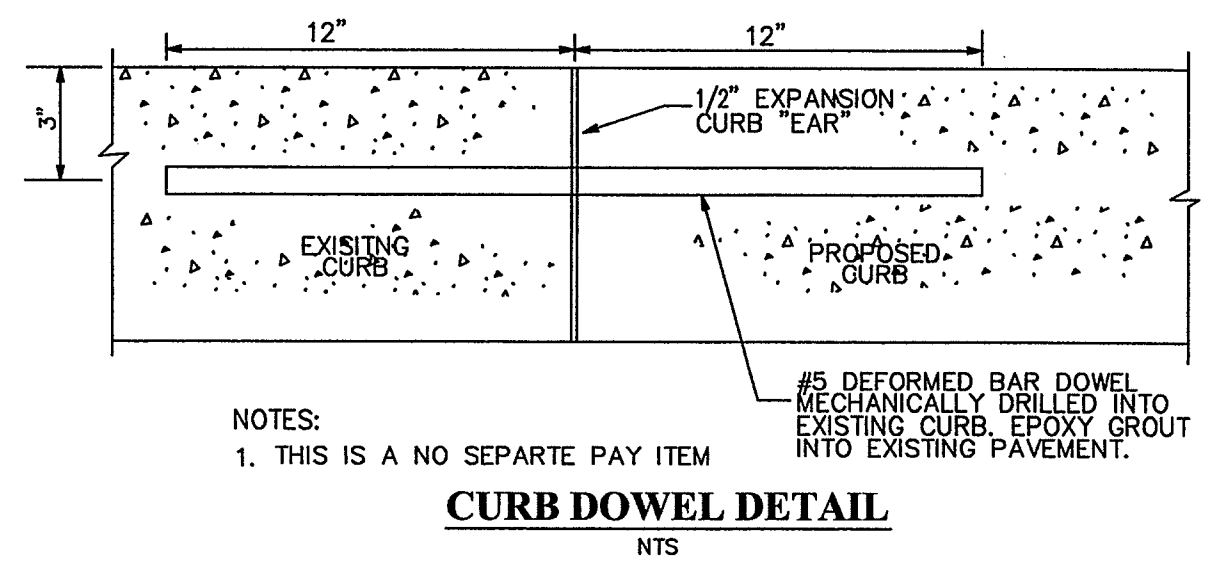
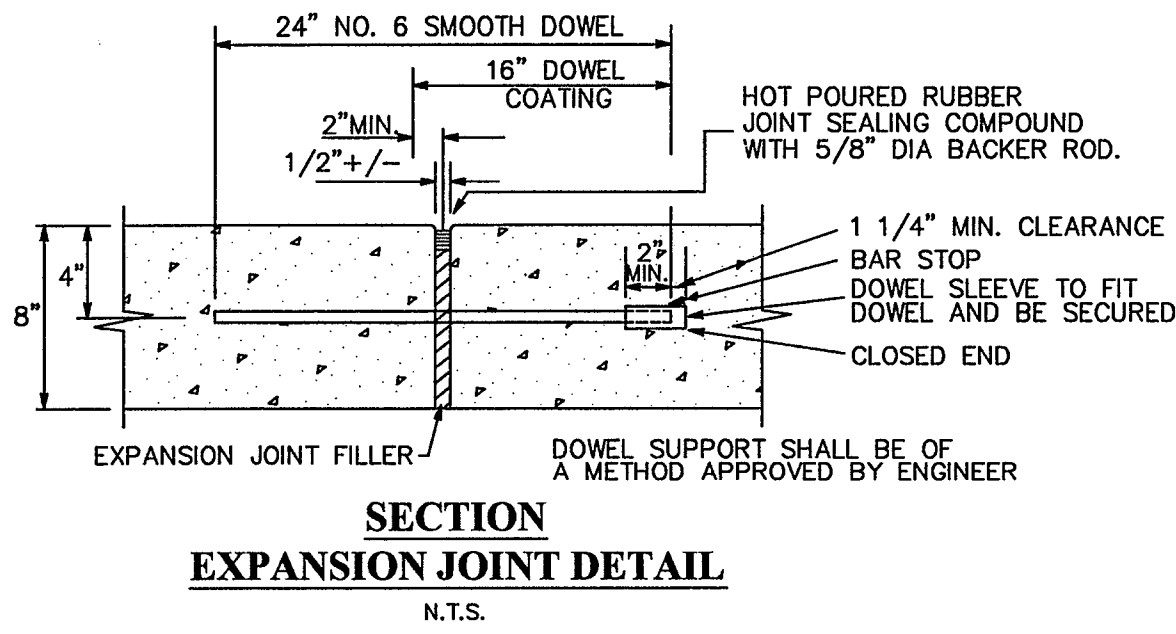
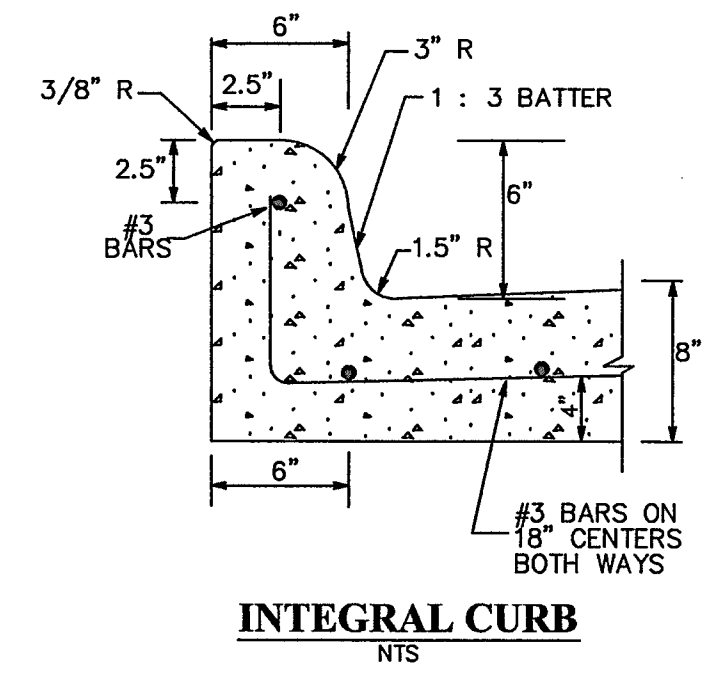
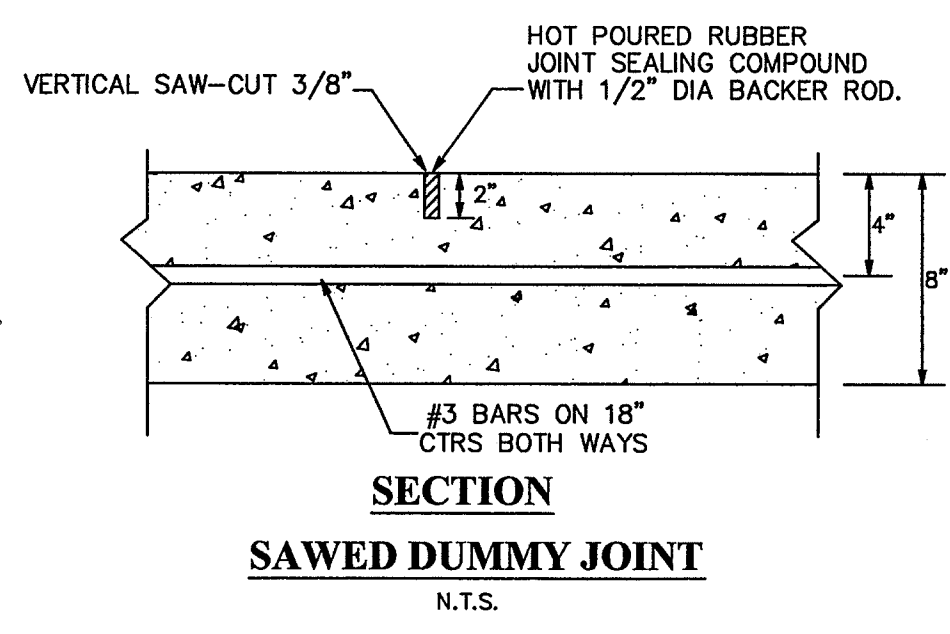
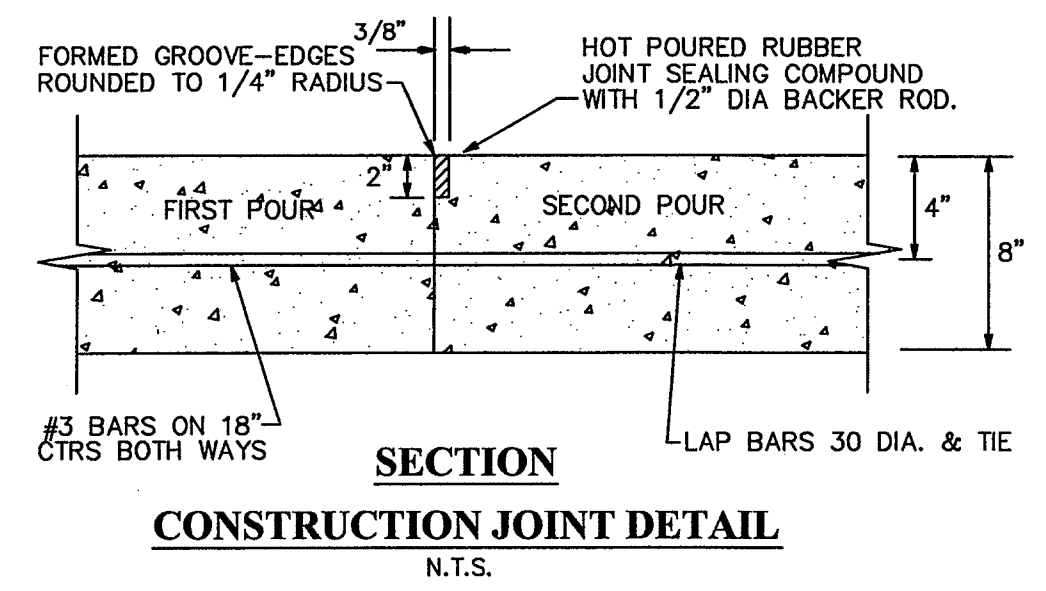


- NOTES:
- NO. 5 DEFORMED DOWEL BAR MAY BE USED IN 6 INCH PAVEMENT THICKNESS.
 - DOWEL BARS SHALL BE DRILLED INTO PAVEMENT HORIZONTALLY BY USE OF A MECHANICAL RIG. DRILLING BY HAND IS NOT ACCEPTABLE. PUSHING DOWEL BARS INTO GREEN CONCRETE IS NOT ACCEPTABLE.
 - THIS IS A NO SEPARTE PAY ITEM
 - EPOXY A103 OR APPROVED EQUAL. INSTALL FULL DEPTH PER MANUFACTURE'S INSTRUCTIONS.



REVISION NO.	DESCRIPTION	BY	DATE
TOWN OF ADDISON, TEXAS PUBLIC WORKS DEPT. - ENGINEERING DIVISION			
GREENHAVEN WATERLINE RECONSTRUCTION			
MISCELLANEOUS DETAILS			
 <small>GSWW, Inc. 11011 FORT WORTH AVENUE DALLAS, TX 75243 PH: 972.961.1101 FAX: 972.961.1102 DALLAS - FORT WORTH - MIDLAND - AUSTIN</small>			
DESIGN:	GSWW	SCALE:	AS NOTED
DRAWN:	GSWW		
APPROVED:	QGS		
DATE:	AUGUST 2008	SHEET 3 OF 5	