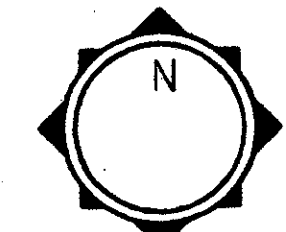
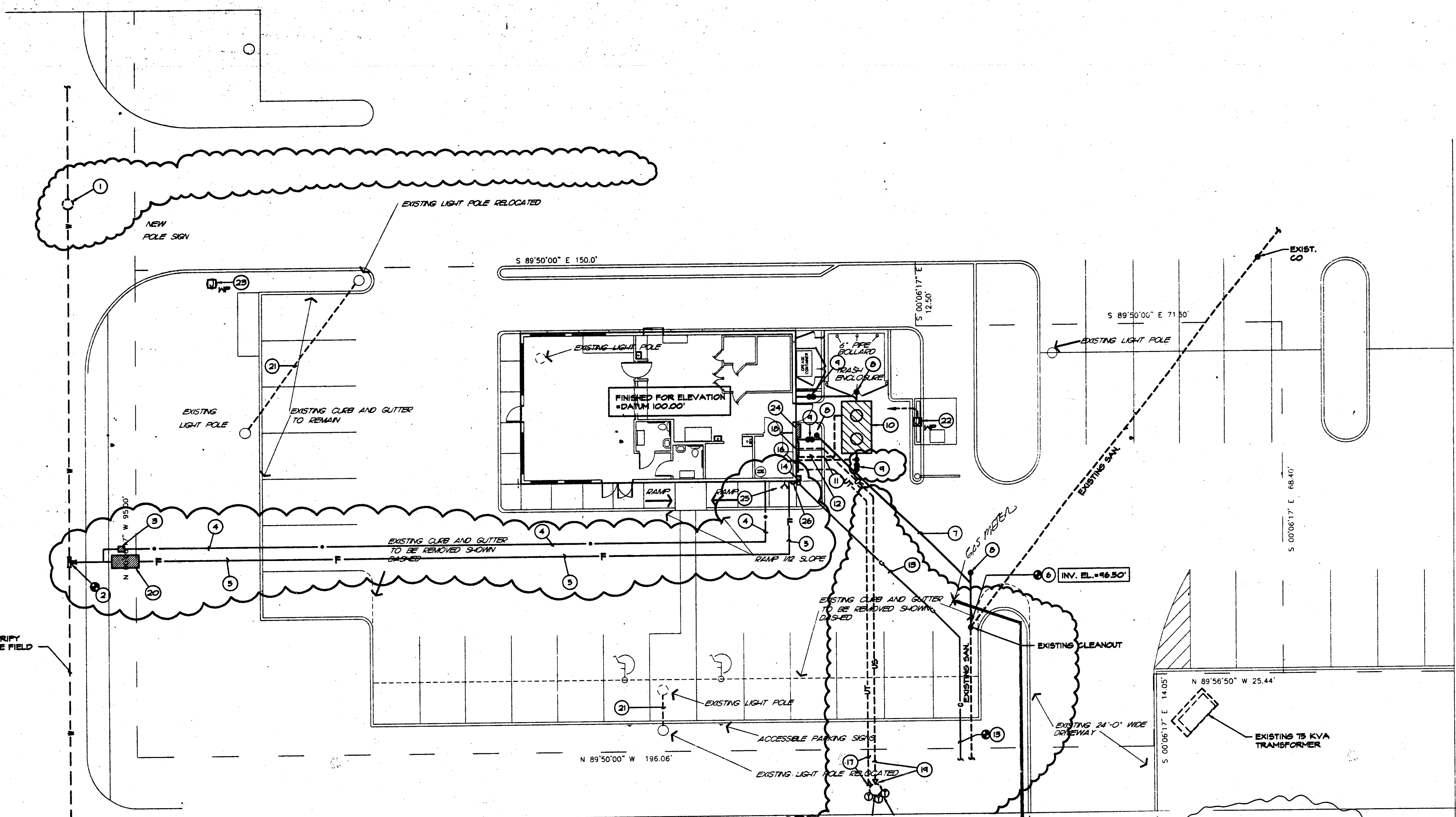
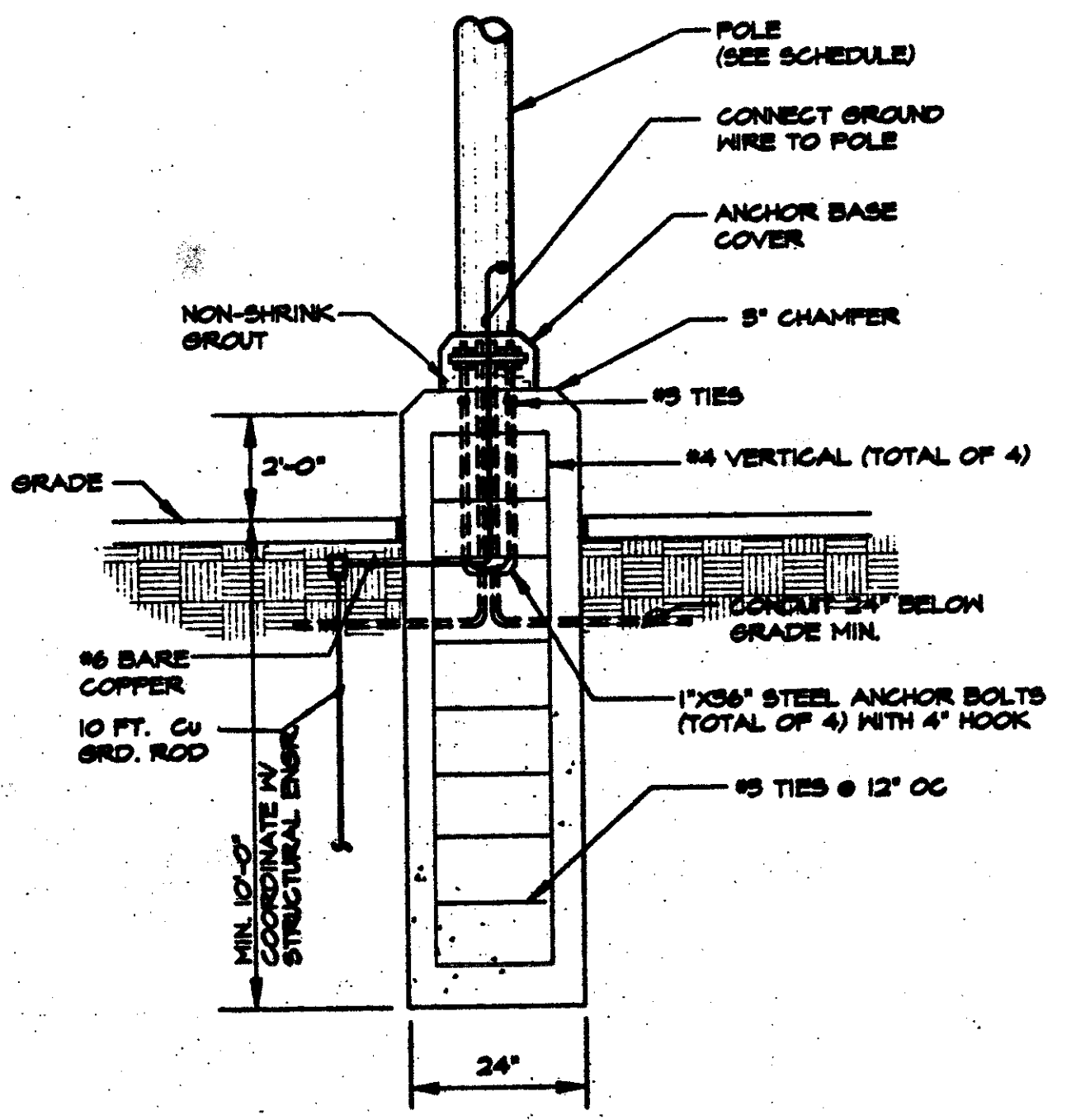


MARSH LANE

(100.0' FOOT RIGHT-OF-WAY)



01 SITE PLAN
SCALE: 1"=20'-0"



02 POLE BASE DETAIL
NO SCALE

GAS LOAD SUMMARY	
DESCRIPTION	CFH
RTU'S (HEATING)	270
KITCHEN (COOKING)	179
WATER HEATING	70
TOTAL BUILDING GAS DEMAND	519

PROPOSED 1/4\"/>

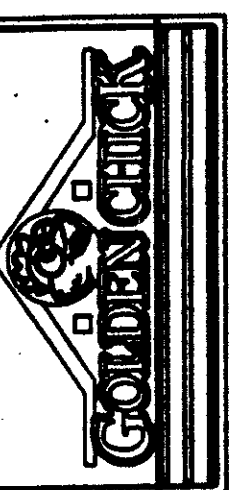
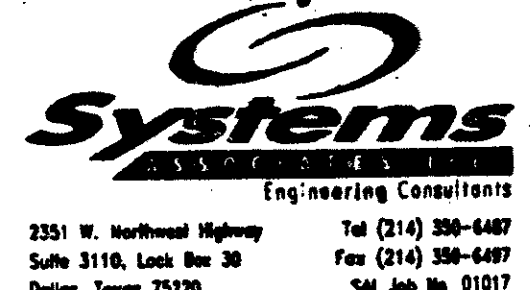
LITY CONTACTS:

TELEPHONE:

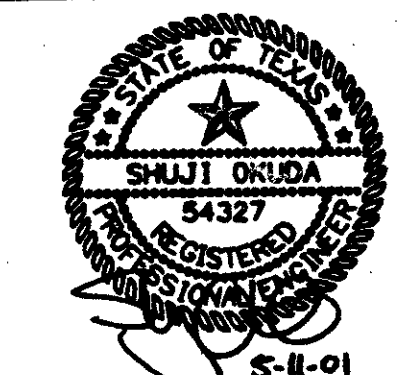
EAGE
IES (ELECTRIC)
SERVICE CENTER
LLE AVE.
75206
- 6652
- 6673

MS. JERI SHELBY
SOUTHWESTERN BELL
1255 TAVAROS AVE.
DALLAS, TX. 75218
T. (214) 320 - 6440
F. (214) 324 - 7898

CTRIC:
EBRAND
IES (GAS)
- 1929



SMALL PROTOTYPE
ADDISON, TEXAS



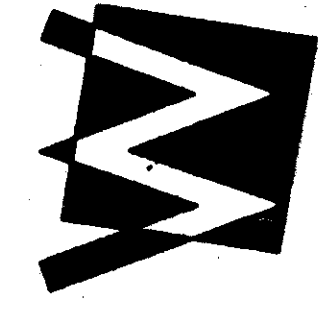
JOB NO. 0106

REVISIONS
NO. DATE DESCRIPTION
5-8-01 CITY COMMENTS

DATE 03-28-01
SHEET

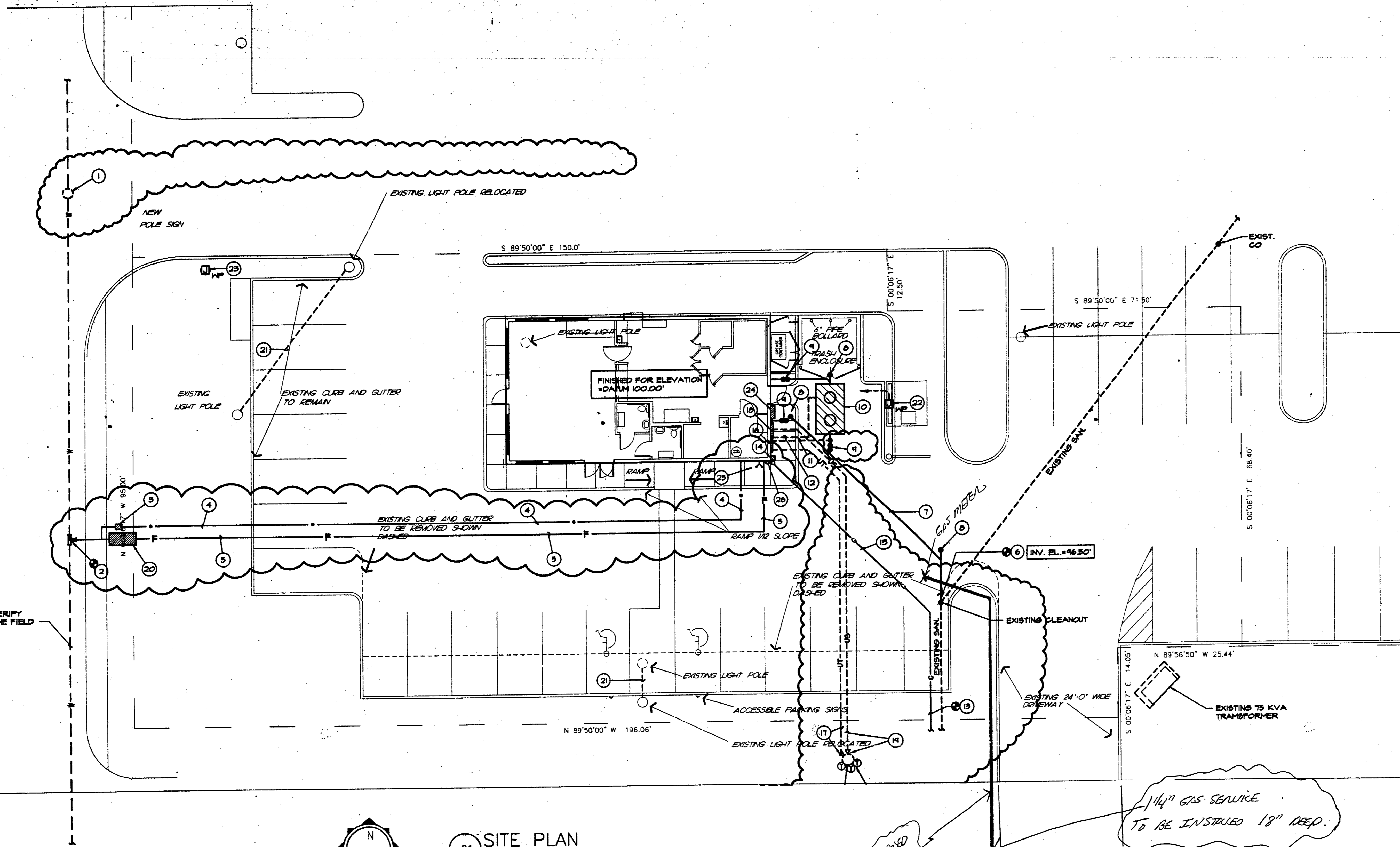
MEP1

JOHN E WHEELER III
ARCHITECTS
5454 LA SIERRA DRIVE #203 DALLAS, TEXAS 75231
(214) 987-0160

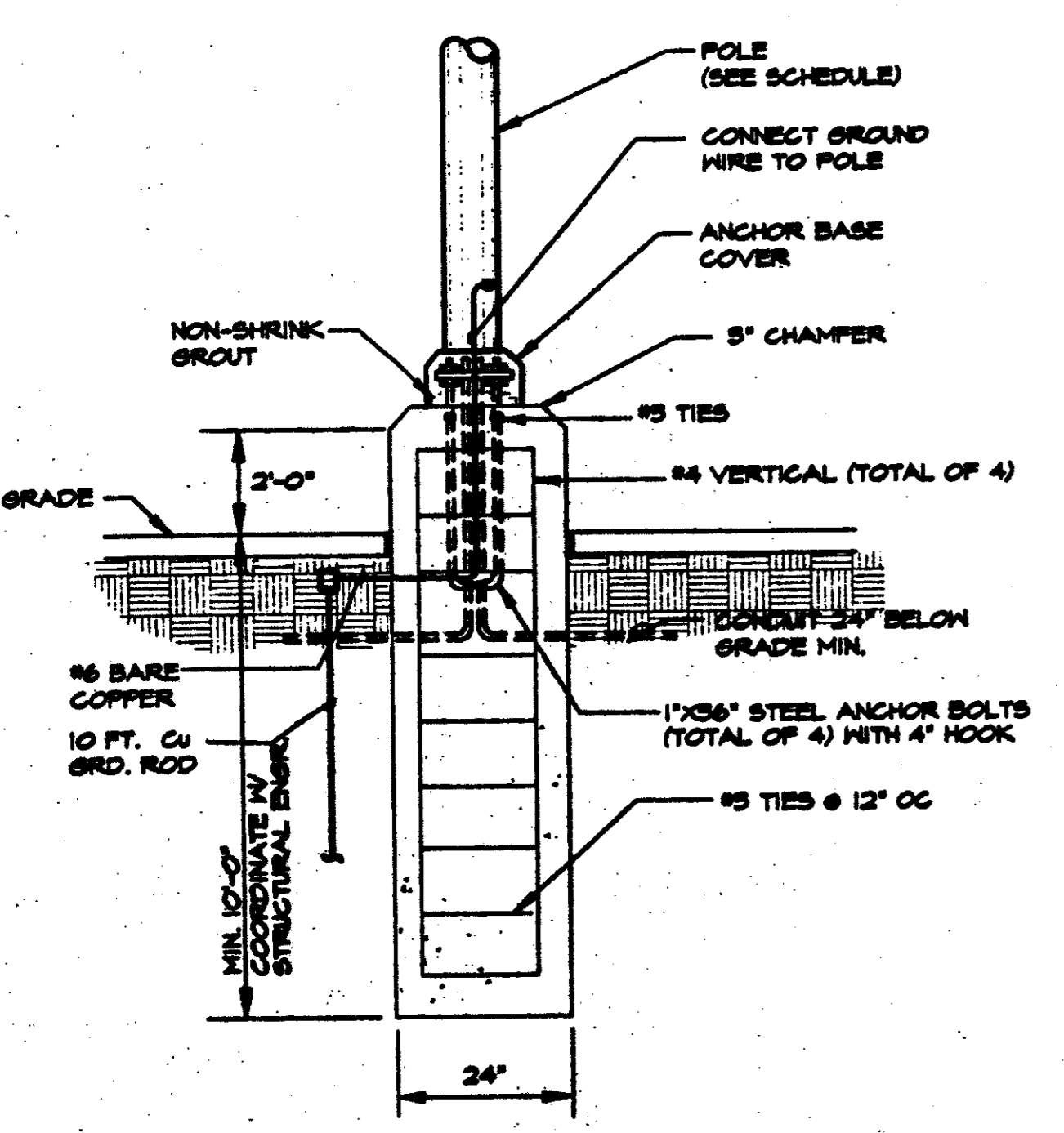


MARSH LANE

(100.0' FOOT RIGHT-OF-WAY)



01 SITE PLAN
SCALE: 1"=20'-0"



02 POLE BASE DETAIL
NO SCALE

GAS LOAD SUMMARY	
DESCRIPTION	CFH
RTU'S (HEATING)	270
KITCHEN (COOKING)	179
WATER HEATING	70
TOTAL BUILDING GAS DEMAND	519

PROPOSED 1/4" GAS SERVICE

EXISTING 4" GAS MAIN

1 1/4" GAS SERVICE TO BE INSTALLED 18" DEEP.

CITY CONTACTS:

TELEPHONE:
 EACE MS. JERI SHELBY
 IES (ELECTRIC) SOUTHWESTERN BELL
 SERVICE CENTER 1255 TAVAROS AVE.
 LLE AVE. DALLAS, TX. 75218
 75206 T. (214) 320 - 6440
 - 6652 F. (214) 324 - 7898
 - 6673

CTRIC:
 DEBRAND
 IES (GAS)
 - 1524

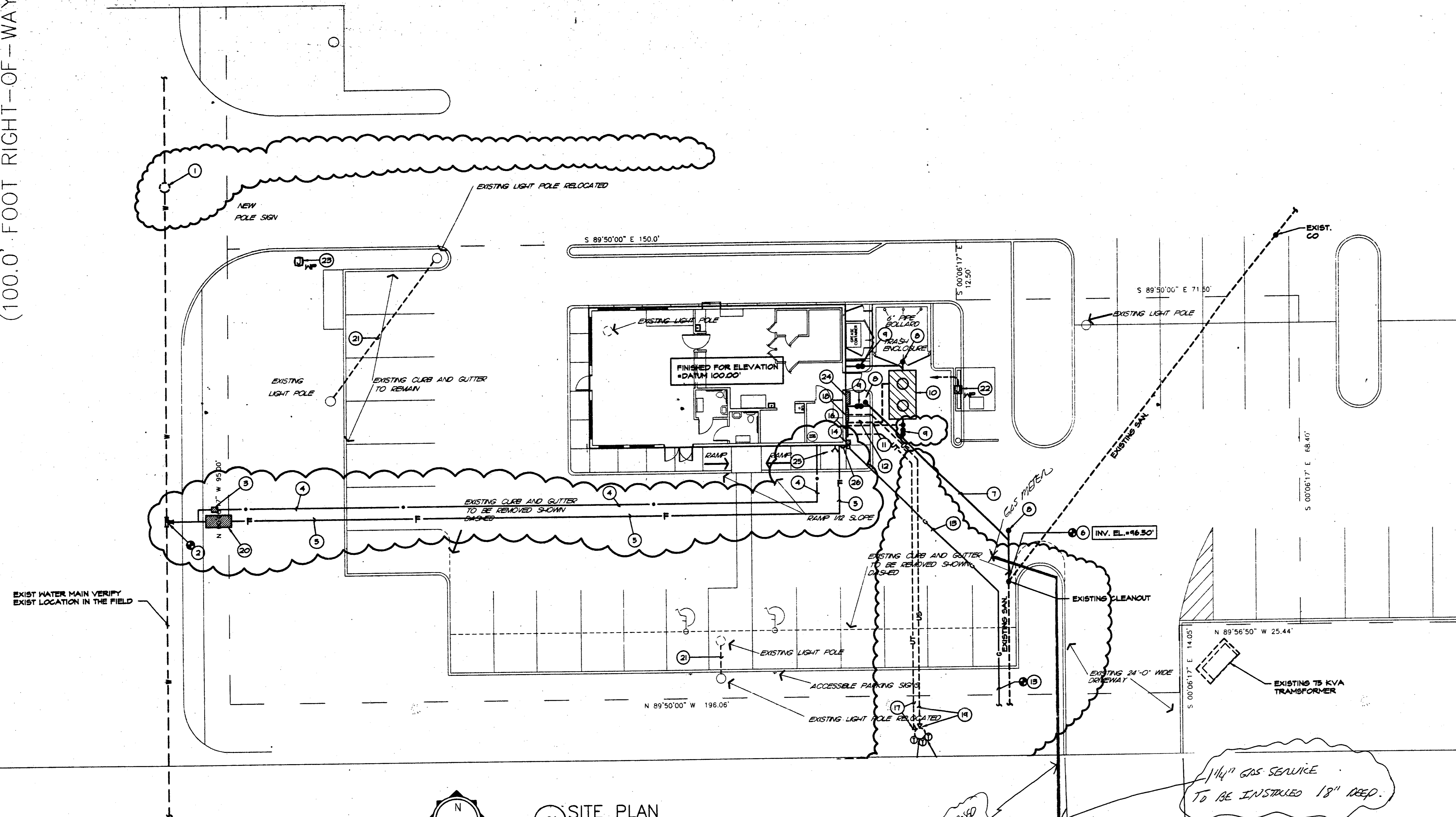


REVISIONS

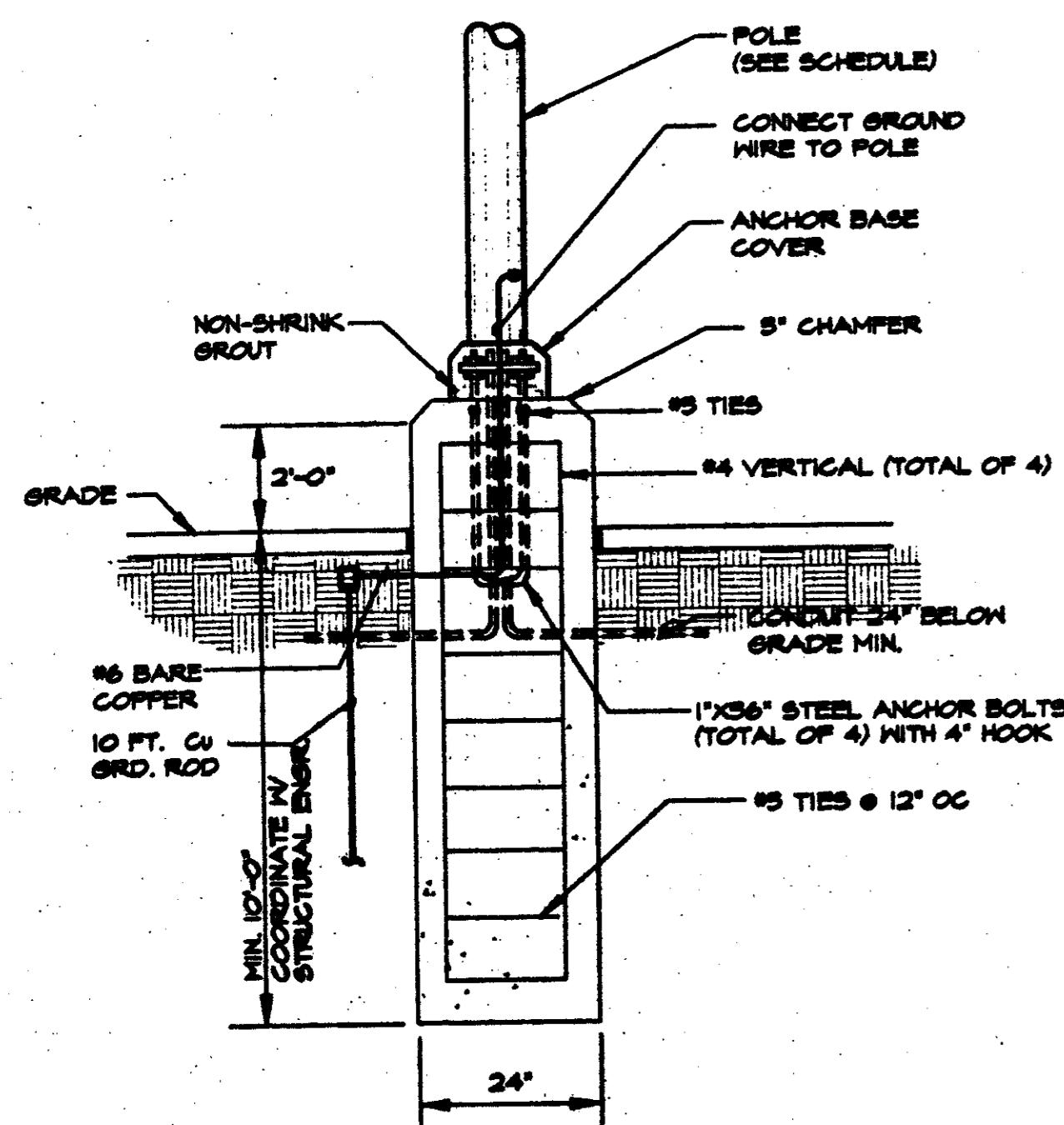
NO.	DATE	DESCRIPTION
1	3-8-01	CITY COMMENTS

MARSH LANE

(100.0' FOOT RIGHT-OF-WAY)



01 SITE PLAN
SCALE: 1"=20'-0"



02 POLE BASE DETAIL
NO SCALE

GAS LOAD SUMMARY	
DESCRIPTION	CFH
RTU'S (HEATING)	270
KITCHEN (COOKING)	179
WATER HEATING	70
TOTAL BUILDING GAS DEMAND	519

PROVIDED 1/4" GAS SERVICE

1/4" GAS SERVICE TO BE INSTALLED 18" DEEP.

EXISTING 1/4" GAS MAIN

CITY CONTACTS:

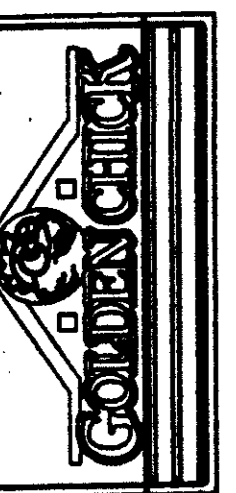
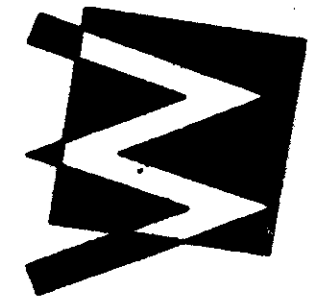
SACE
IES (ELECTRIC)
SERVICE CENTER
LLE AVE.
75206
- 6652
- 6675

TELEPHONE:
MRS. JERI SHELBY
SOUTHWESTERN BELL
1255 TAVAROS AVE
DALLAS, TX. 75210
T. (214) 820 - 6440
F. (214) 324 - 7898

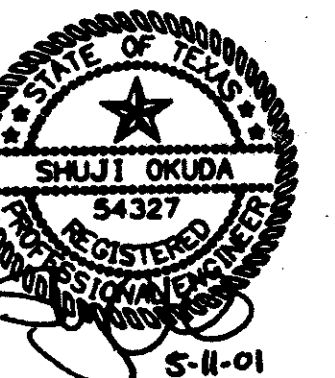
CTRIC:
REBRAND
IES (GAS)
- 1529



JOHN E WHEELER III
ARCHITECTS
5454 LA SIERRA DRIVE, #203 DALLAS, TEXAS 75231
(214) 967-0160



SMALL PROTOTYPE
ADDISON, TEXAS



JOB NO. 0106

REVISIONS

NO.	DATE	DESCRIPTION
1	5-8-01	CITY COMMENTS

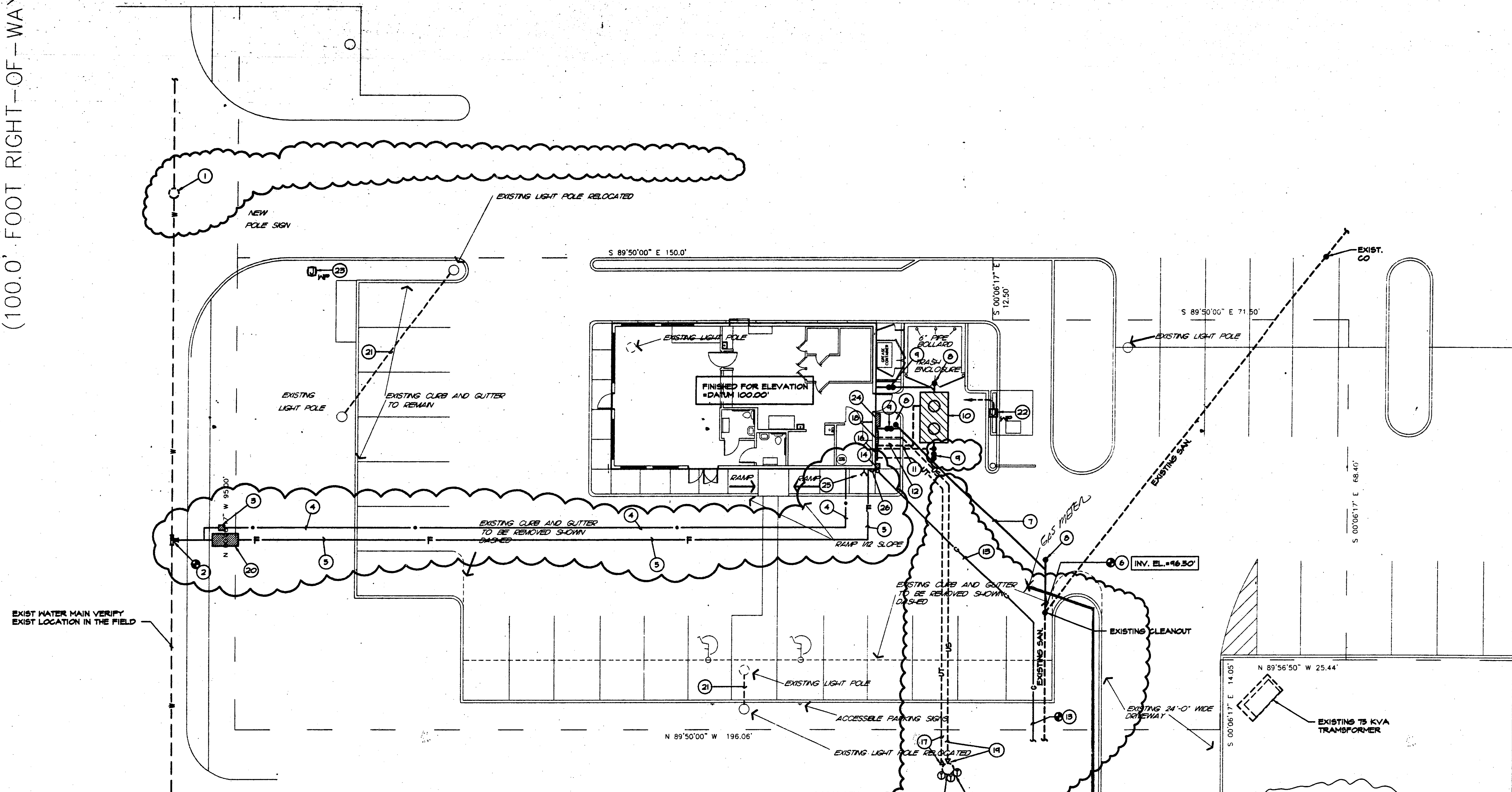
DATE 03-28-01

SHEET

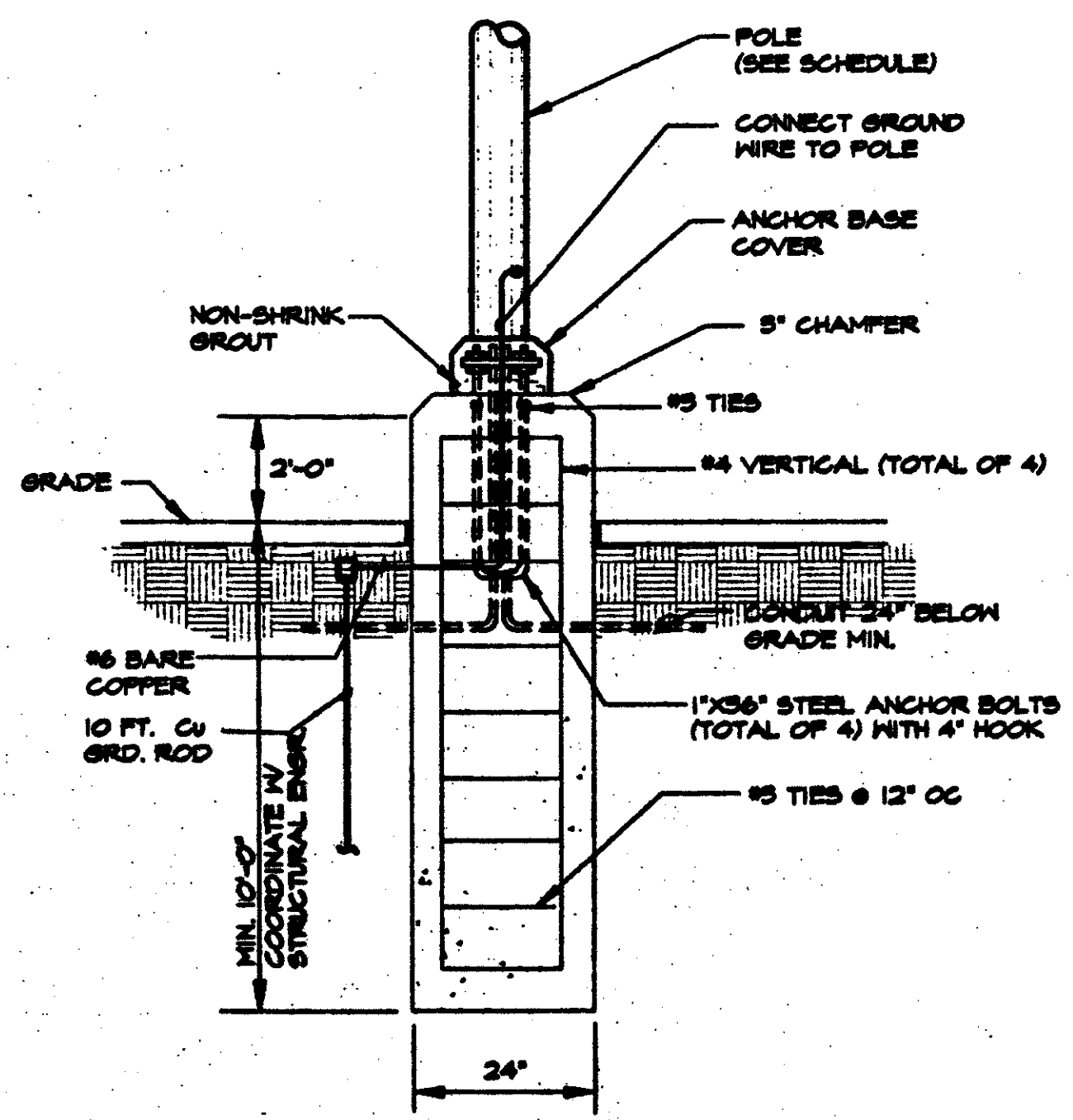
MEP1

MARSH LANE

(100.0' FOOT RIGHT-OF-WAY)



01 SITE PLAN
SCALE: 1"=20'-0"



02 POLE BASE DETAIL
NO SCALE

GAS LOAD SUMMARY	
DESCRIPTION	CFH
RTU'S (HEATING)	270
KITCHEN (COOKING)	179
WATER HEATING	70
TOTAL BUILDING GAS DEMAND	519

PROPOSED 1/2" GAS SERVICE

EXISTING 1/4" GAS MAIN

1/4" GAS SERVICE TO BE INSTALLED 18" DEEP.

CITY CONTACTS:

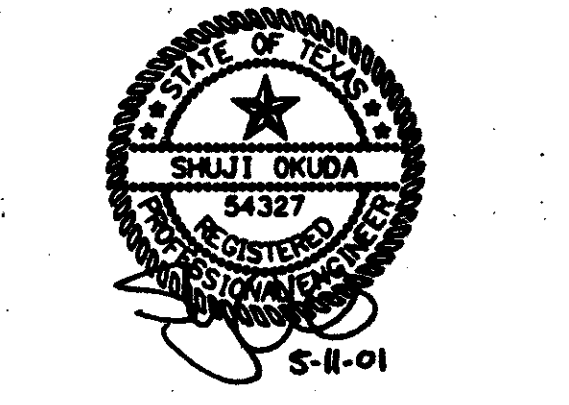
EACE	TELEPHONE:
IES (ELECTRIC)	MS. JERI SHELBY
SERVICE CENTER	SOUTHWESTERN BELL
11E AVE.	1255 TAVAROS AVE.
75206	DALLAS, TX. 75218
- 6652	T. (214) 320 - 6440
- 6678	F. (214) 324 - 7898

CTRIC:

DEBRAND

IES (GAS)

- 1329



JOB NO. 0106

REVISIONS

NO.	DATE	DESCRIPTION
1	5-8-01	CITY COMMENTS

DATE 03-28-01
SHEET