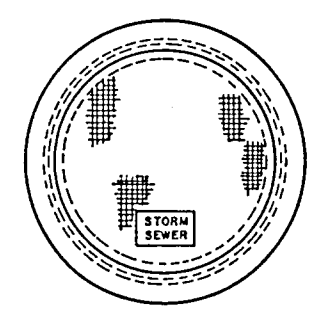
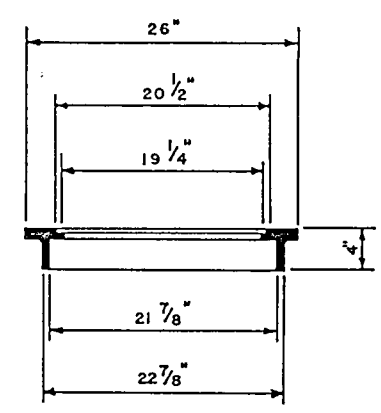


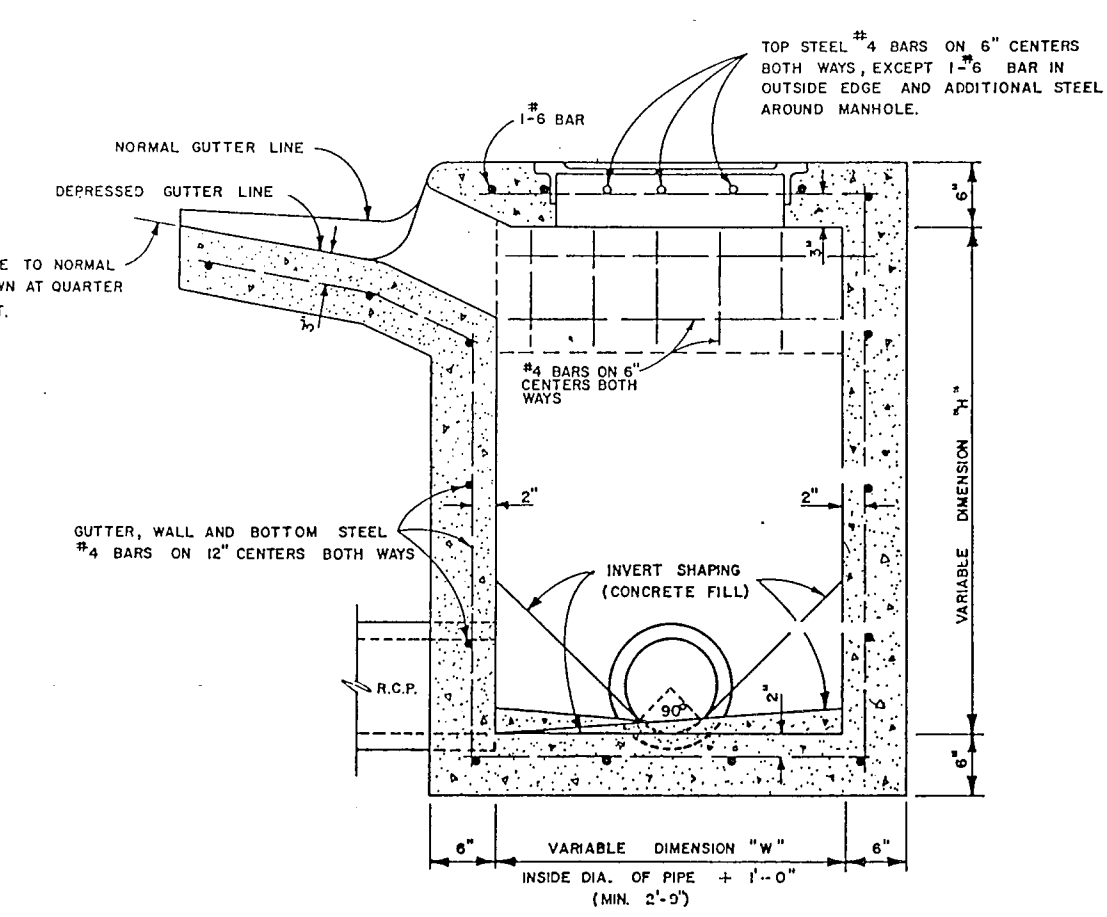
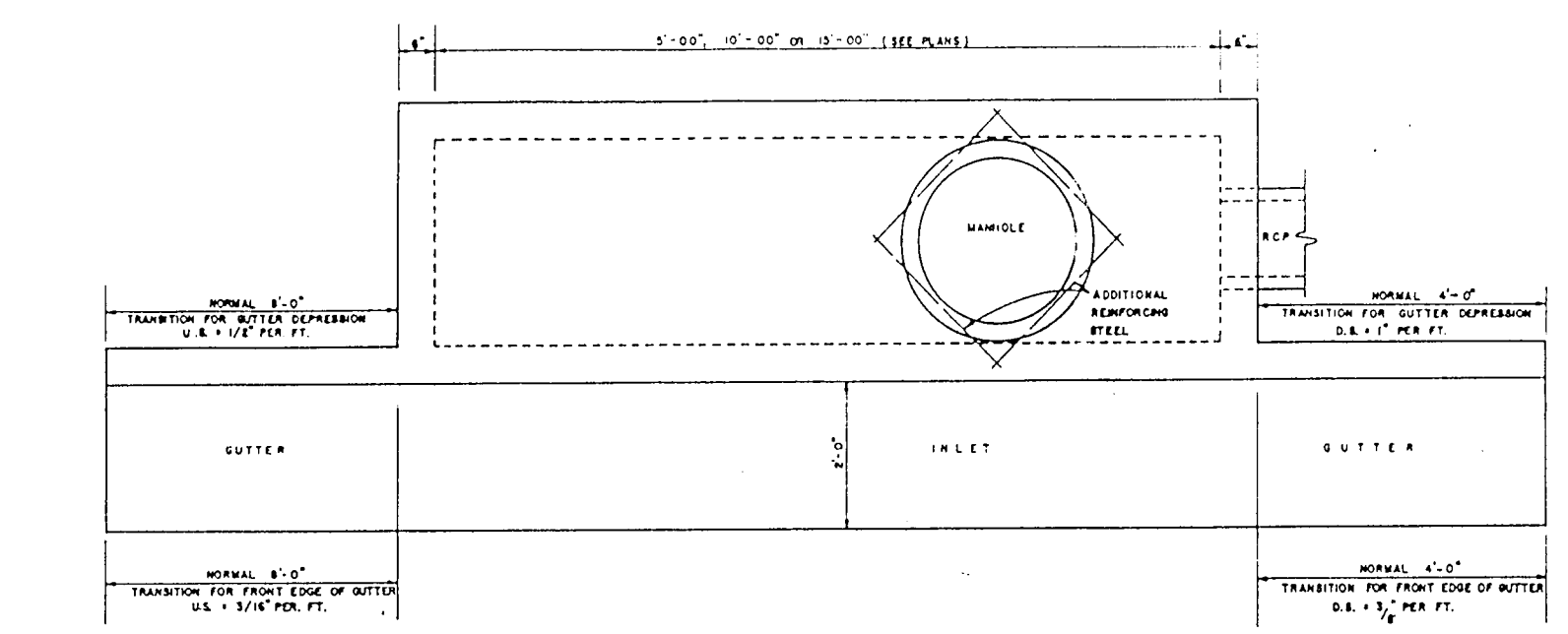
ELEVATION



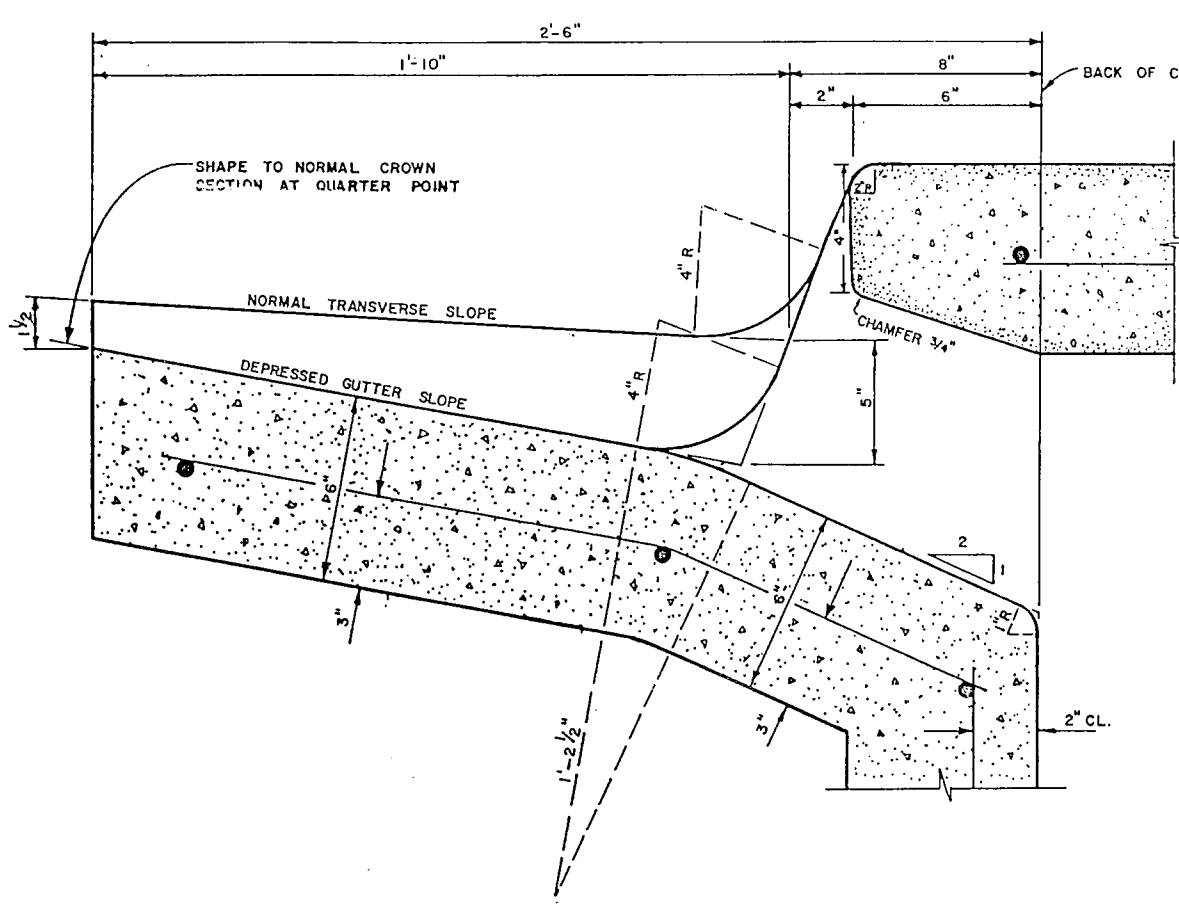
NOTE:
LID TO BE FURNISHED WITH
A CHAIN RETENTION DEVICE



STORM SEWER LID



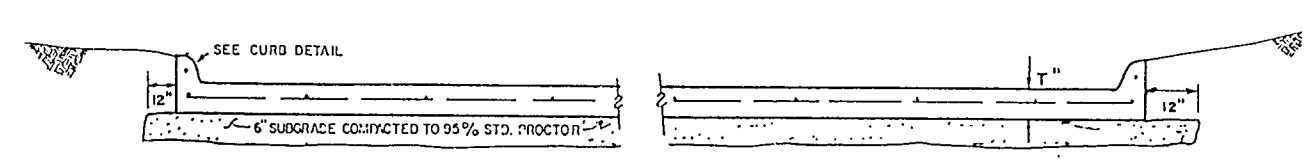
SECTION B-B



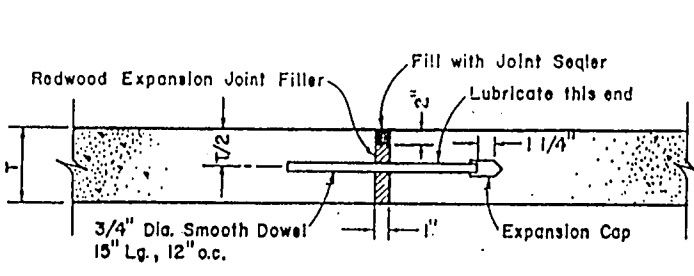
THROAT DETAIL

GENERAL NOTES:
 IN GENERAL, REINFORCING STEEL SHALL BE NO. 4 BARS, ON 12" CENTERS BOTH WAYS FOR GUTTER, BOTTOM SLAB, ENDS, AND FRONT & BACK WALLS, AND NO. 4 BARS ON 6" CENTERS BOTH WAYS FOR TOP SLAB. AN ADDITIONAL NO. 6 BAR SHALL BE PLACED IN THE FRONT EDGE OF THE TOP SLAB IN BOTH INLETS AND EXTENSIONS, AND ADDITIONAL REINFORCING STEEL SHALL BE PLACED AROUND MANHOLES AS SHOWN.
 ALL REINFORCING STEEL SHALL BE OPEN HEARTH NEW BILLET STEEL OF INTERMEDIATE OR HARD GRADE CONFORMING TO A.S.T.M. A-15. DEFORMATIONS SHALL CONFORM TO A.S.T.M. A-305-56.
 ALL CONCRETE SHALL BE CLASS "A" (5 BAGS OF CEMENT PER CY AND A MINIMUM COMPRESSIVE STRENGTH AT 28 DAYS OF 3000 PSI). ALL EXPOSED CORNERS SHALL BE CHAMFERED 3/4".
 ALL REINFORCING STEEL SHALL HAVE A MINIMUM COVER OF 2" TO THE CENTER OF THE BARS.
 ALL BACKFILLING SHALL BE PERFORMED BY MECHANICAL TAMPING.

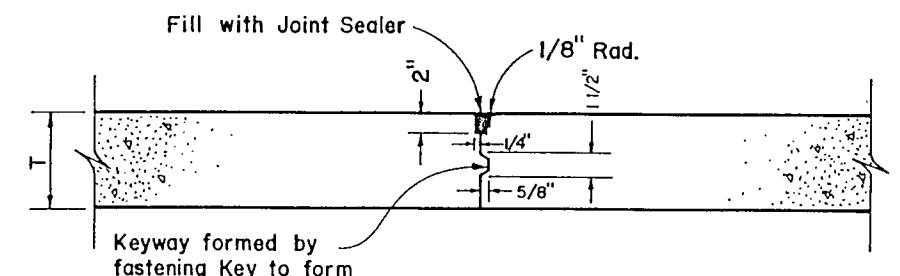
CURB INLET DETAILS



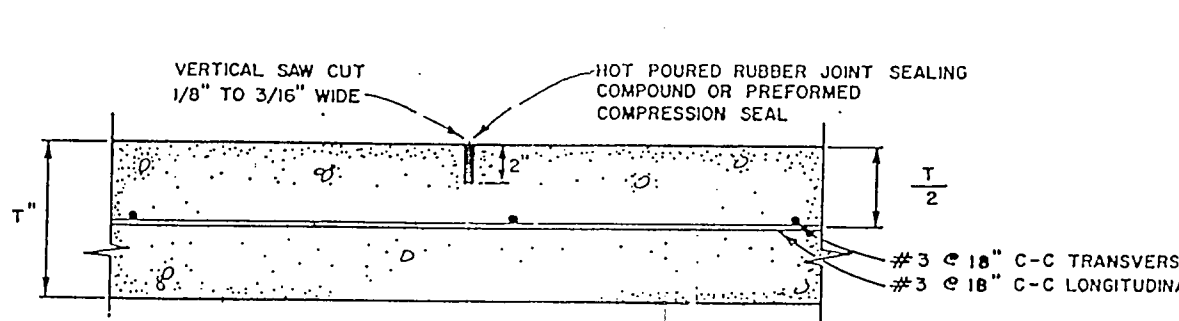
CONCRETE PARKING LOT SECTION



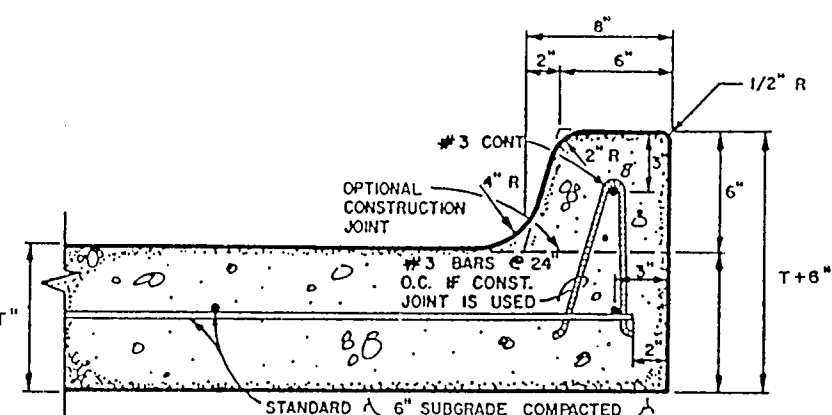
EXPANSION JOINT



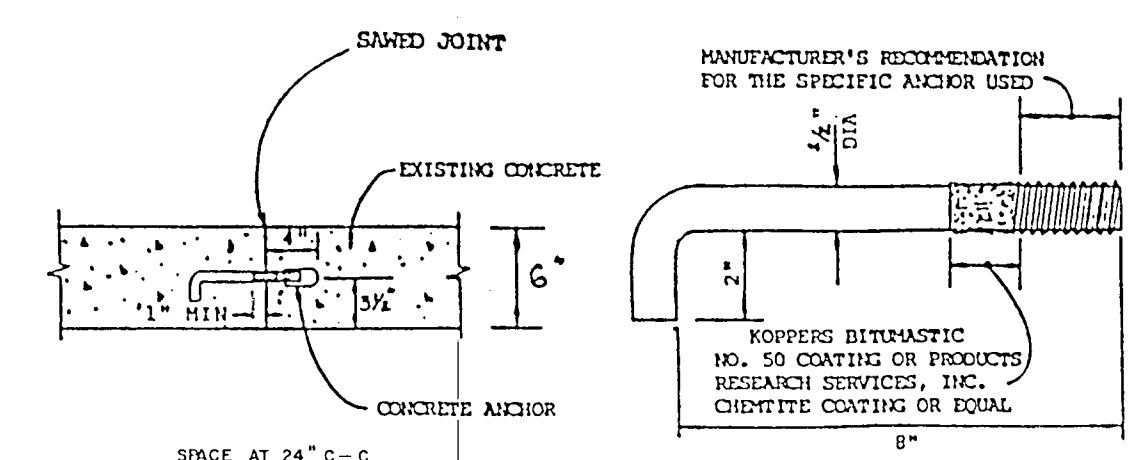
LONGITUDINAL JOINT



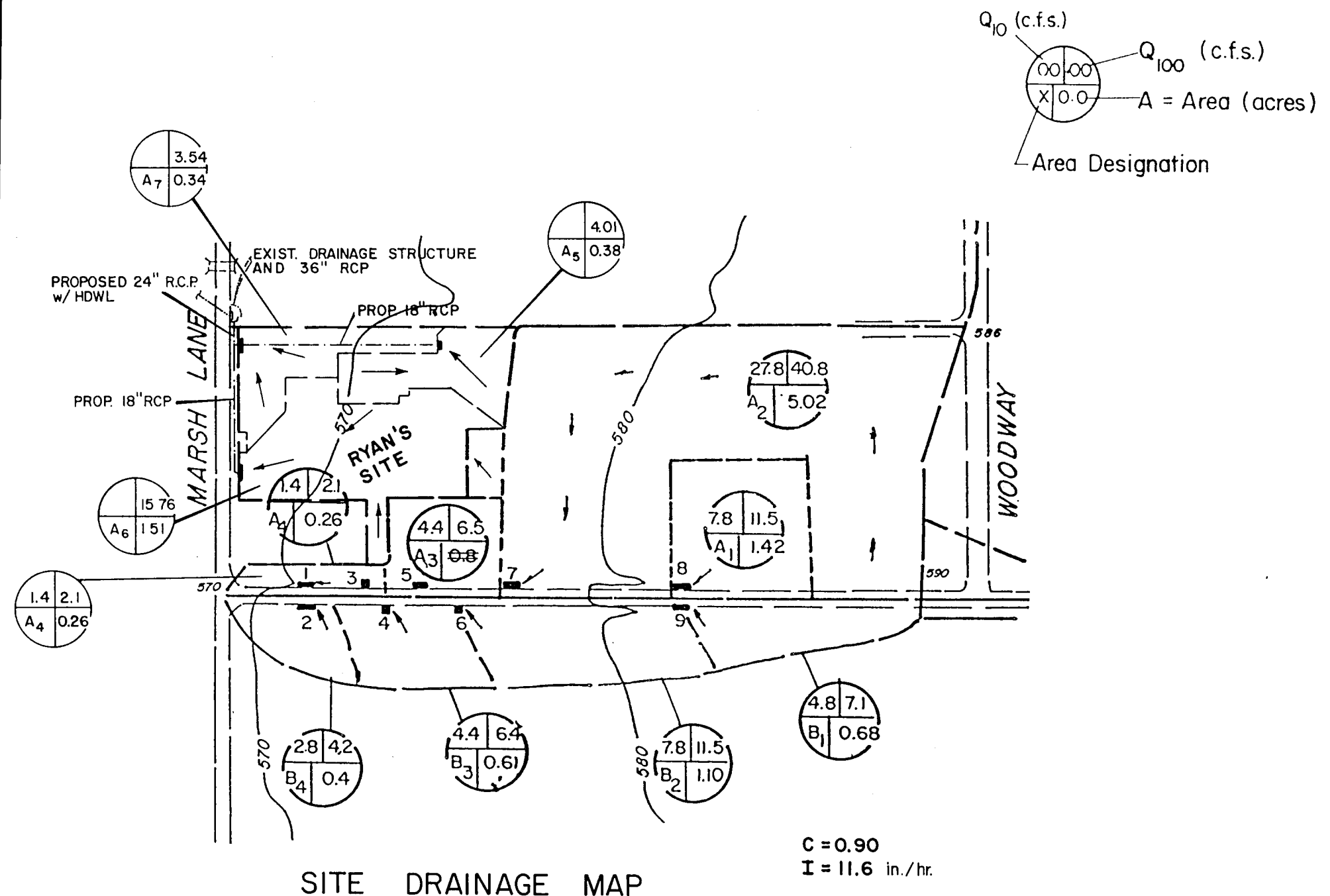
SAWED CONTRACTION JOINT
SPACING @ 15' C-C



TYPICAL INTEGRAL CURB SECTION

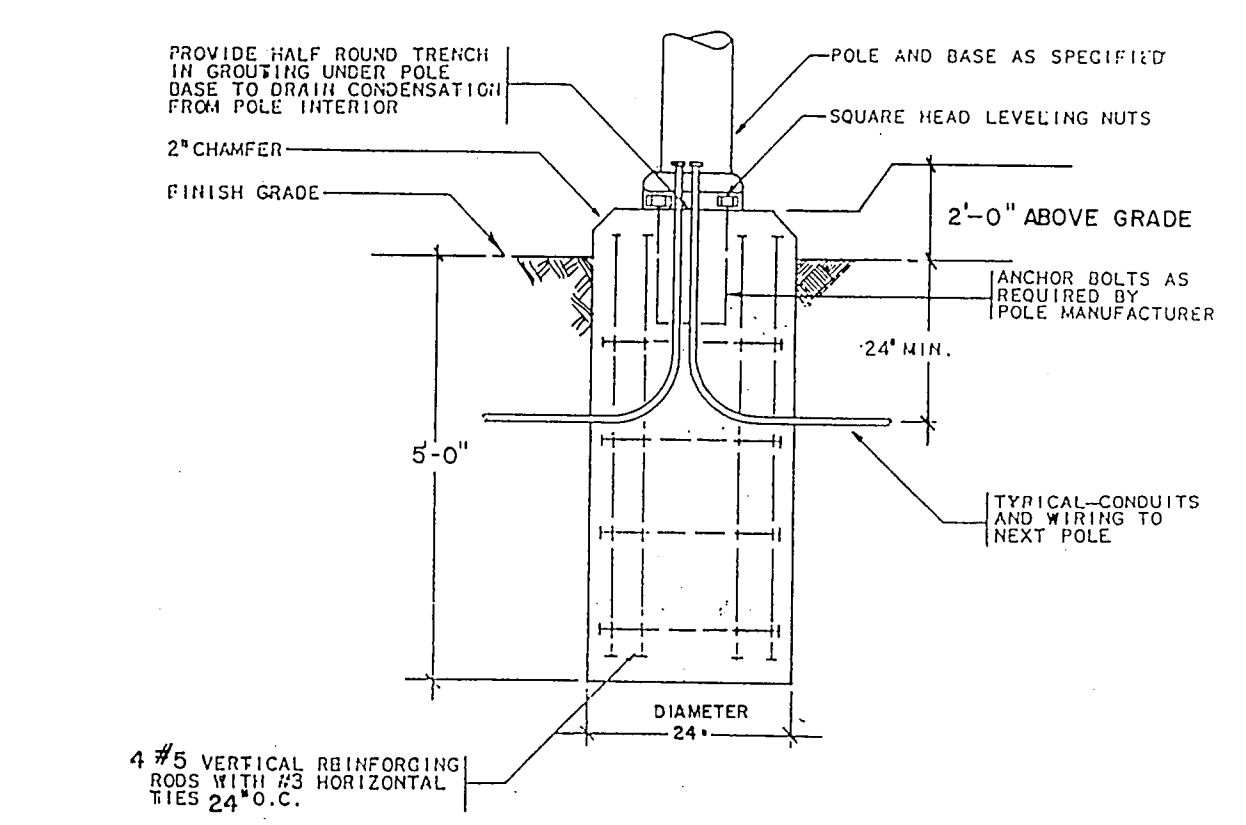
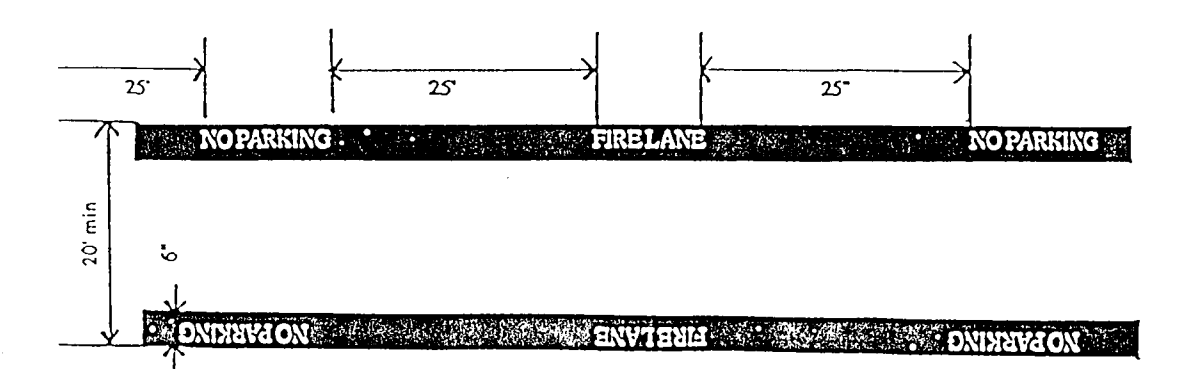


LOAD TRANSFER FOR LONGITUDINAL JOINTS
FOR CONNECTING TO EXISTING PAVEMENT



SITE DRAINAGE MAP

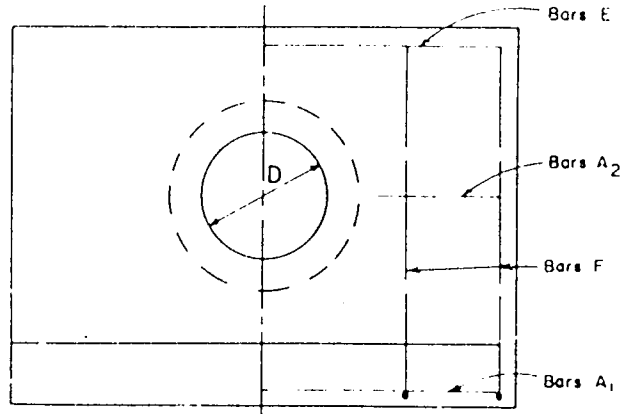
FIRE LANE MARKING



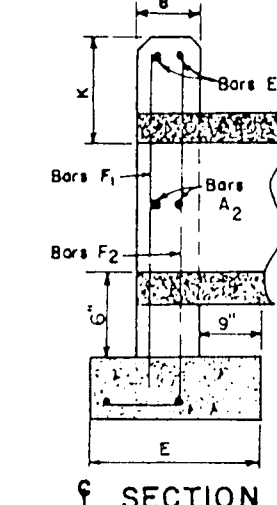
LIGHT POLE BASE DETAIL
NO SCALE

TABLE OF DIMENSIONS AND QUANTITIES FOR TWO TYPE A HEADWALLS

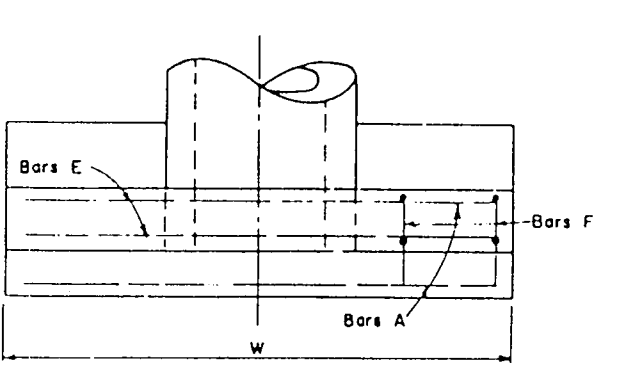
NO. OF PIPES	DIAM. OF PIPES	DIMENSIONS										REINFORCING STEEL FOR TWO HEADWALLS		TOTAL QUANTITIES								
		G	K	T	E	H	W	Lgth	Wt	Lgth	Wt	BARS F ₁	BARS F ₂	STEEL	CONC							
1	24"	12"	9"	2'-0"	3'-6"	12'-0"	11'-6"	18'	4'-6"	14'	11'-8"	49	24	1/2"	3'-11"	63	24	1/2"	4'-11"	79	223	3.17



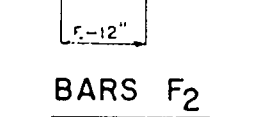
ELEVATION TYPE A



SECTION



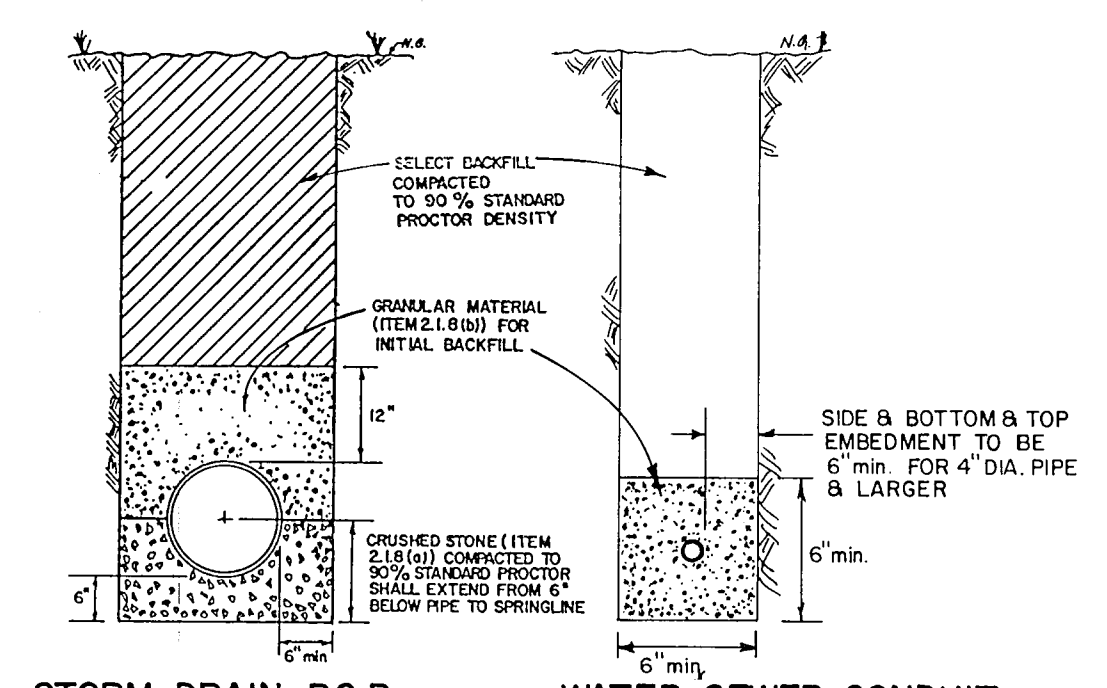
PLAN TYPE A



BARS F₂

GENERAL NOTES:
 1. All concrete shall be class A. All exposed corners shall be chamfered 3/4".
 2. Reinforcing steel shall be placed with the center of the outside layer of bars 2" from the surface of the concrete. Total quantities include one 20" diameter loop for all bars over 40'-0" in length.

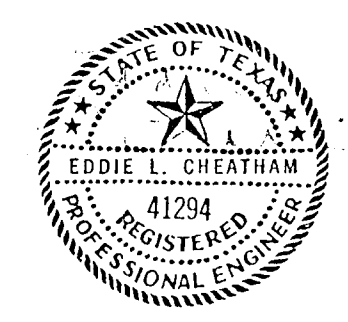
TYPE A HEADWALL DETAIL



STORM DRAIN R.C.P. WATER-SEWER-CONDUIT

NOTES:
 1. ITEMS REFER TO NOTES SPECIFICATIONS.
 2. MARKER TAPE @ 6" ABOVE PIPE REQUIRED CONTINUOUS ALONG TRENCH WHEN NATIVE MATERIAL IS USED FOR BACKFILL.

EMBEDMENT DETAILS



NO.	DATE	REVISION

RYAN'S FAMILY STEAK HOUSE

SITE DRAINAGE MAP PRELIMINARY
DETAILS MAR 16 1992

CHEATHAM & ASSOCIATES
CONSULTING ENGINEERS SURVEYORS LAND PLANNERS

DATE: JANUARY, 1992	SCALE: AS NOTED	981-604	SHEET: 2 OF 2
DESIGN: GBJ	DRAWN: GBJ	CHECK: ELC	