

Portion of Block 1
Belt Line/Marsh Business Park
Volume 81060, Page 170
D.R.D.C.T.

Remainder of
A. Lee Pfluger Children's Trust
Volume 95134, Page 2868
D.R.D.C.T.

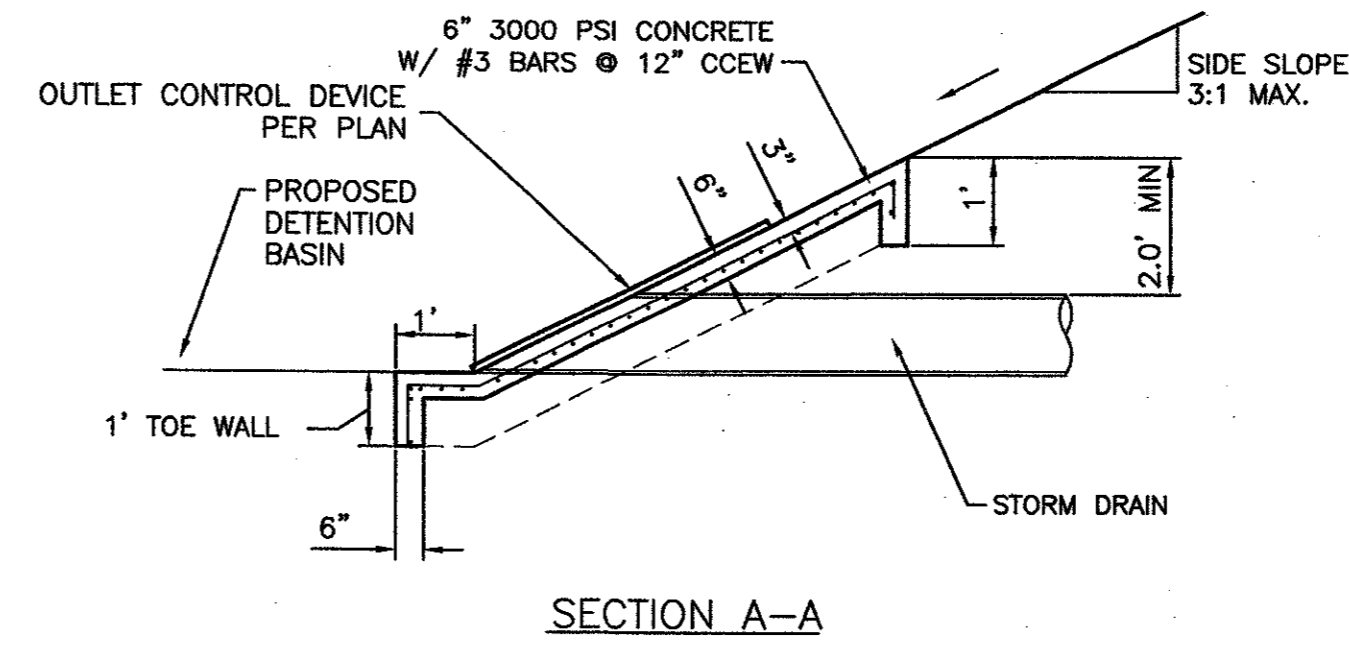
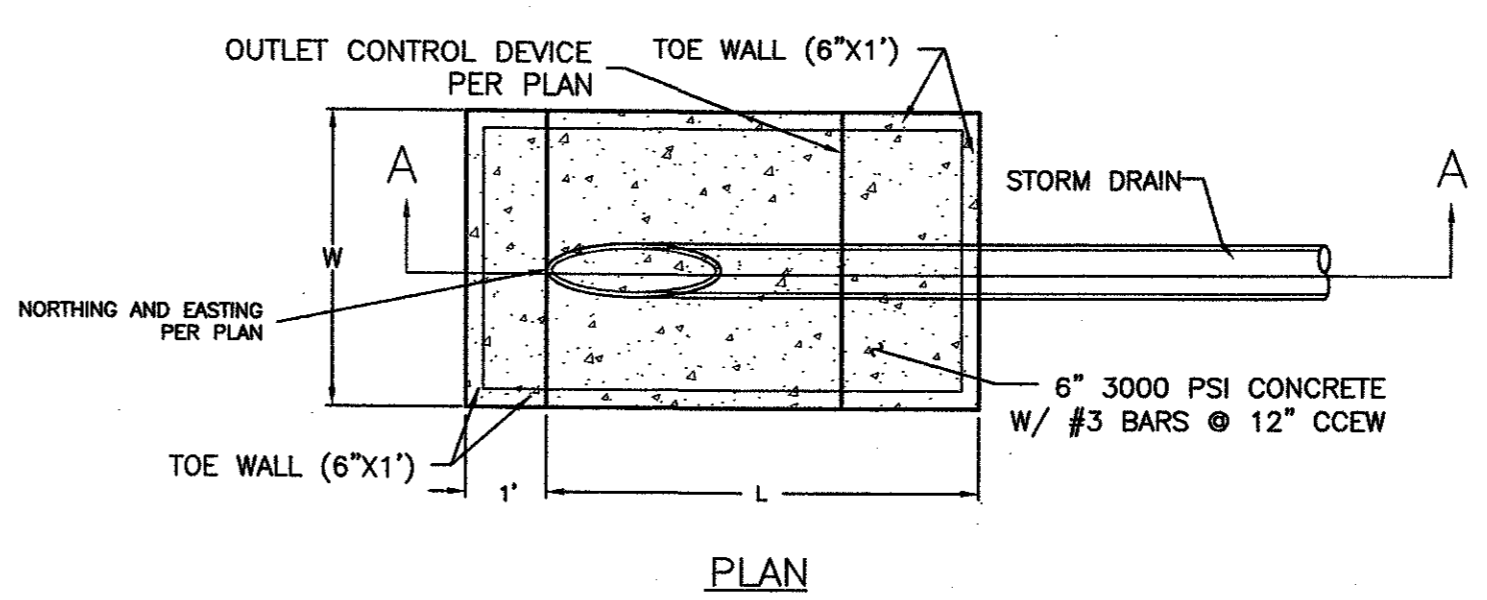
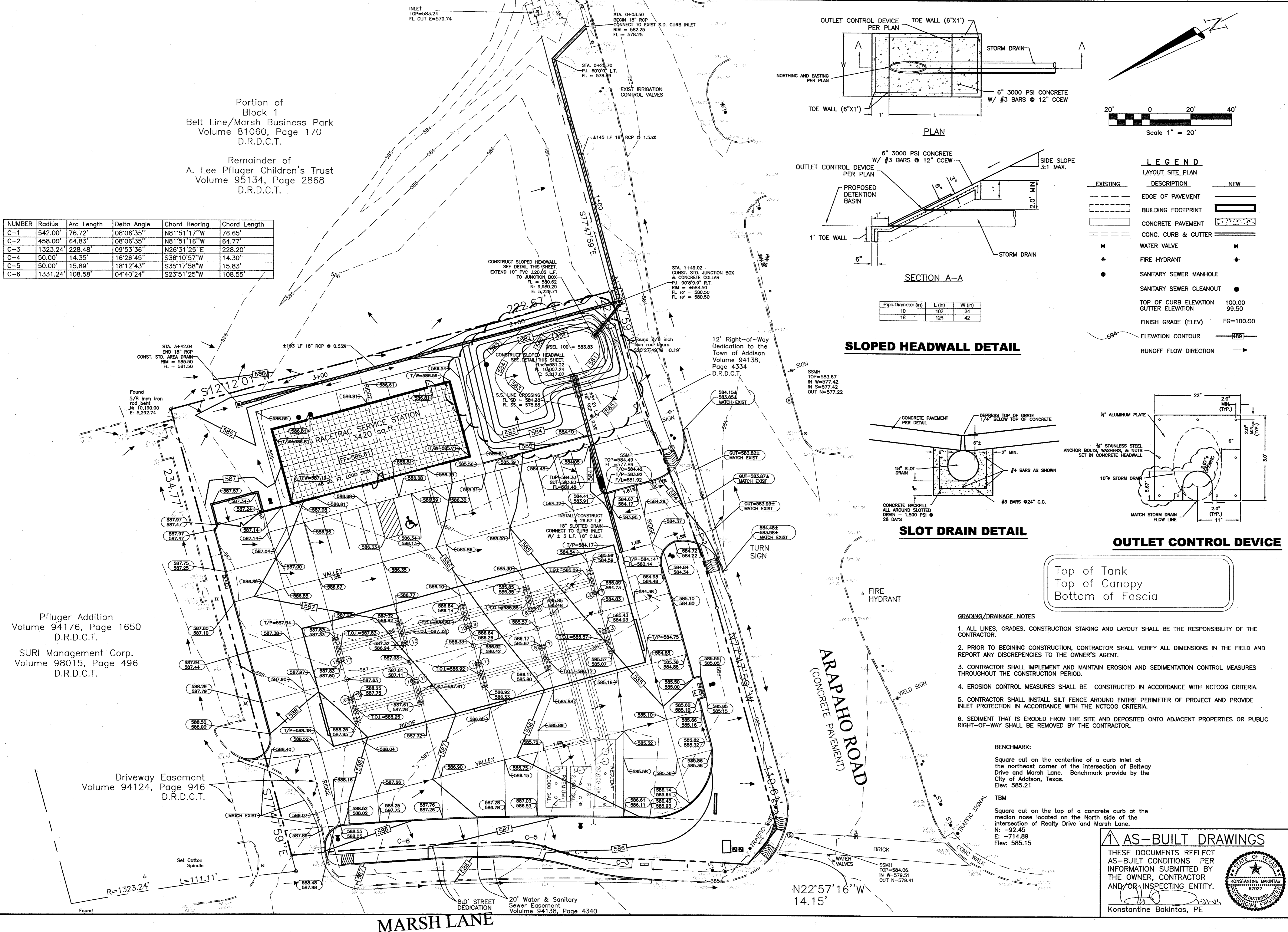
NUMBER	Radius	Arc Length	Delta Angle	Chord Bearing	Chord Length
C-1	542.00'	76.72'	08°06'35"	N81°51'17"W	76.65'
C-2	458.00'	64.83'	08°06'35"	N81°51'16"W	64.77'
C-3	1323.24'	228.48'	09°53'36"	N26°31'25"E	228.20'
C-4	50.00'	14.35'	16°26'45"	S36°10'57"W	14.30'
C-5	50.00'	15.89'	18°12'43"	S35°17'58"W	15.83'
C-6	1331.24'	108.58'	04°40'24"	S23°51'25"W	108.55'

Pfluger Addition
Volume 94176, Page 1650
D.R.D.C.T.

SURI Management Corp.
Volume 98015, Page 496
D.R.D.C.T.

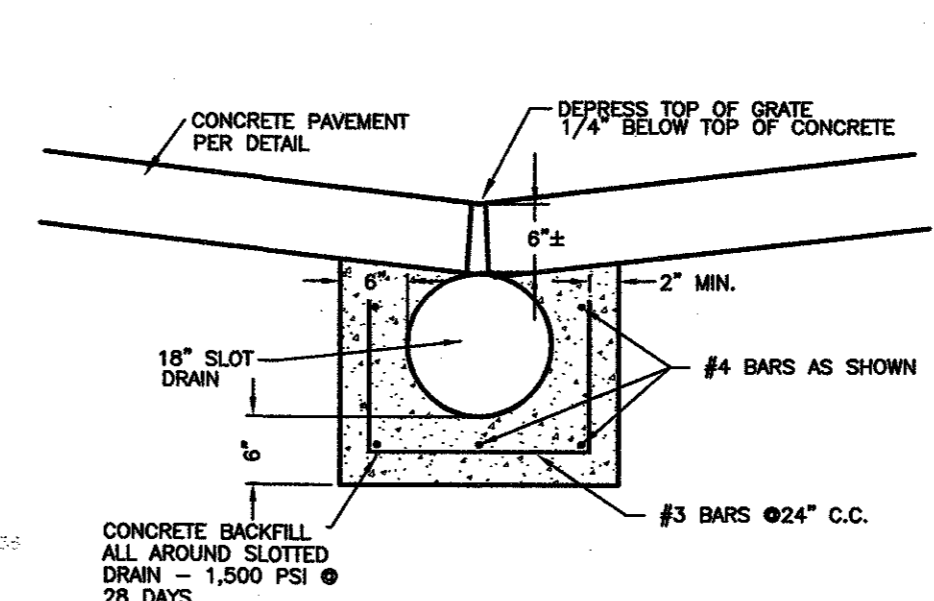
Driveway Easement
Volume 94124, Page 946
D.R.D.C.T.

DRAWING FILE: E:\2002.000.000\2002.015.000.dwg\GRADE_PLAN.DWG

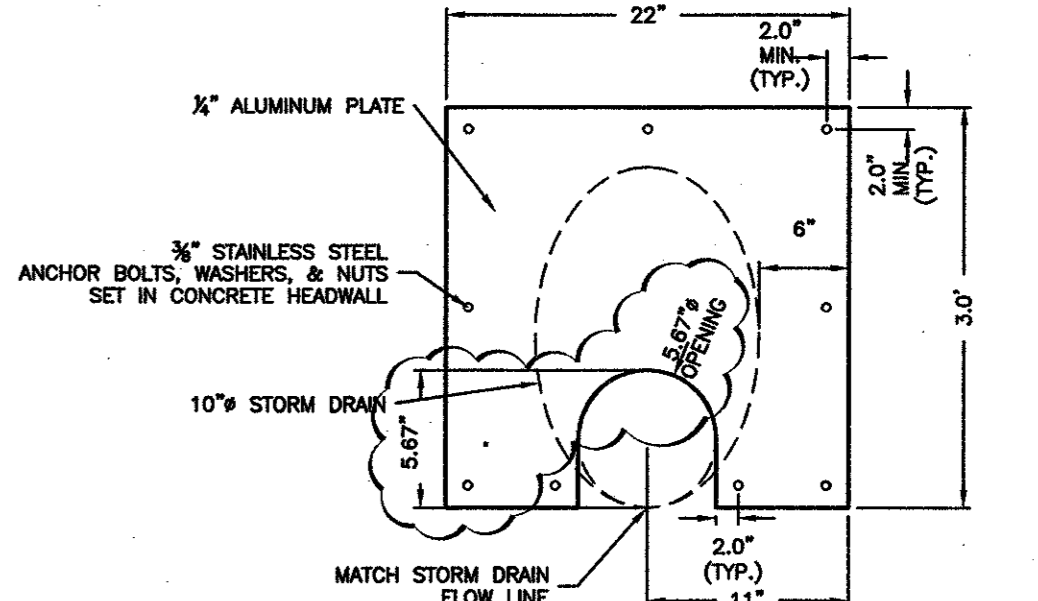


Pipe Diameter (in)	L (in)	W (in)
10	102	34
18	126	42

SLOPED HEADWALL DETAIL



SLOT DRAIN DETAIL



OUTLET CONTROL DEVICE

Top of Tank
Top of Canopy
Bottom of Fascia

GRADING/DRAINAGE NOTES

- ALL LINES, GRADES, CONSTRUCTION STAKING AND LAYOUT SHALL BE THE RESPONSIBILITY OF THE CONTRACTOR.
- PRIOR TO BEGINNING CONSTRUCTION, CONTRACTOR SHALL VERIFY ALL DIMENSIONS IN THE FIELD AND REPORT ANY DISCREPANCIES TO THE OWNER'S AGENT.
- CONTRACTOR SHALL IMPLEMENT AND MAINTAIN EROSION AND SEDIMENTATION CONTROL MEASURES THROUGHOUT THE CONSTRUCTION PERIOD.
- EROSION CONTROL MEASURES SHALL BE CONSTRUCTED IN ACCORDANCE WITH NCTCOG CRITERIA.
- CONTRACTOR SHALL INSTALL SILT FENCE AROUND ENTIRE PERIMETER OF PROJECT AND PROVIDE INLET PROTECTION IN ACCORDANCE WITH THE NCTCOG CRITERIA.
- SEDIMENT THAT IS ERODED FROM THE SITE AND DEPOSITED ONTO ADJACENT PROPERTIES OR PUBLIC RIGHT-OF-WAY SHALL BE REMOVED BY THE CONTRACTOR.

BENCHMARK:

Square cut on the centerline of a curb inlet at the northeast corner of the intersection of Beltway Drive and Marsh Lane. Benchmark provide by the City of Addison, Texas.
Elev: 585.21

TBM

Square cut on the top of a concrete curb at the median nose located on the North side of the intersection of Realty Drive and Marsh Lane.
N: -92.45
E: -714.89
Elev: 585.15

AS-BUILT DRAWINGS

THESE DOCUMENTS REFLECT AS-BUILT CONDITIONS PER INFORMATION SUBMITTED BY THE OWNER, CONTRACTOR AND/OR INSPECTING ENTITY.



Konstantine Bakintas, PE

BHB PROJECT NO:
2002.015.000

SHEET NO:
C-6 of 9C

LEGEND

EXISTING	DESCRIPTION	NEW
---	EDGE OF PAVEMENT	---
---	BUILDING FOOTPRINT	---
---	CONCRETE PAVEMENT	---
---	CONC. CURB & GUTTER	---
M	WATER VALVE	M
+	FIRE HYDRANT	+
●	SANITARY SEWER MANHOLE	●
●	SANITARY SEWER CLEANOUT	●
100.00	TOP OF CURB ELEVATION	100.00
99.50	GUTTER ELEVATION	99.50
FG=100.00	FINISH GRADE (ELEV)	FG=100.00
---	ELEVATION CONTOUR	---
---	RUNOFF FLOW DIRECTION	---

RaceTrac Petroleum, Inc.
300 Technology Ct.
Smyrna, GA 30082
Contact: Julie Diamond
(770) 431-7600 x1129

Baird, Hampton & Brown, Inc.
Engineering & Surveying
309 W. 7th St., Ste. 500 Ft. Worth, TX 76102 Tel: (817) 338-1277 Fax: (817) 338-2615 E-Mail: baird@bhb.com

ADJUST GRADES PER CLIENT COMMENTS	08/12/03	DATE	08/15/00
6 ADD 60' CANOPY PER CLIENT	07/17/03 <td>DATE <td>KB</td> </td>	DATE <td>KB</td>	KB
5 ADD INLET CONTROL DEVICE	03/20/03 <td>DATE <td>KB</td> </td>	DATE <td>KB</td>	KB
4 REALTY DRIVE CHANGED TO ARAPAHO ROAD	02/03/03 <td>DATE <td>KB</td> </td>	DATE <td>KB</td>	KB
NO.	REVISIONS	CHECKED:	DAH
DESIGNED:	DAH	DRAWN:	DAH

GRADING/DRAINAGE PLAN
RaceTrac Service Station #646
On-Site Improvements
Marsh Ln. & Arapaho Rd.
Addison, Texas

BHB PROJECT NO:
2002.015.000

SHEET NO:
C-6 of 9C