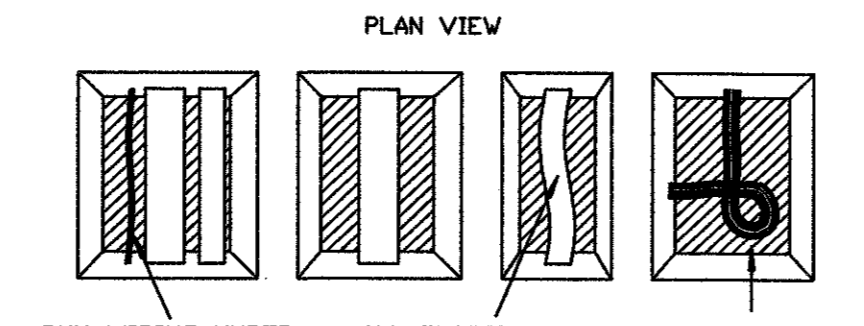
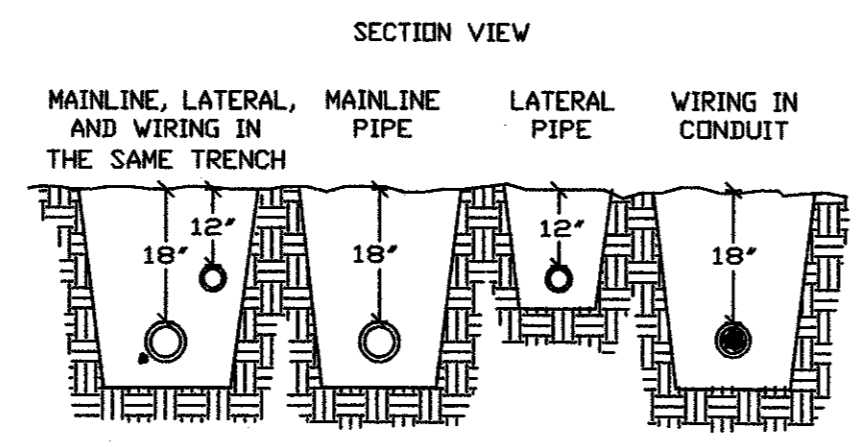


- 1 RAIN BIRD ESP-LX+ SERIES OUTDOOR WALL MOUNT
- 2 1.5-INCH ELEC. METAL CONDUIT AND FITTINGS. ATTACH TO CONC. WALL W/METAL U-BRACKETS.
- 3 WIRES TO REMOTE CONTROL VALVES
- 4 JUNCTION BOX
- 5 1-INCH ELEC. METAL CONDUIT TO POWER SUPPLY. ATTACH TO CONC. W/METAL U-BRACKETS.
- 6 1-INCH ELEC. METAL CONDUIT TO SENSORS. ATTACH TO CONC. W/METAL U-BRACKETS.

**CONTROLLER**



MAINLINE, LATERAL, AND WIRING IN THE SAME TRENCH

MAINLINE PIPE

LATERAL PIPE

WIRING IN CONDUIT

18"

12"

18"

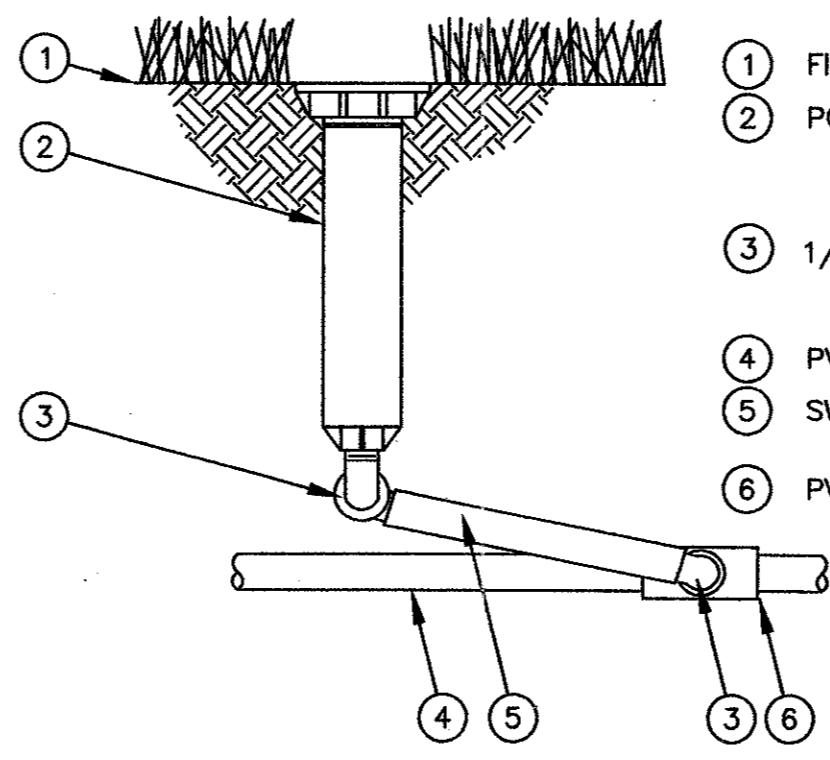
12"

18"

12"

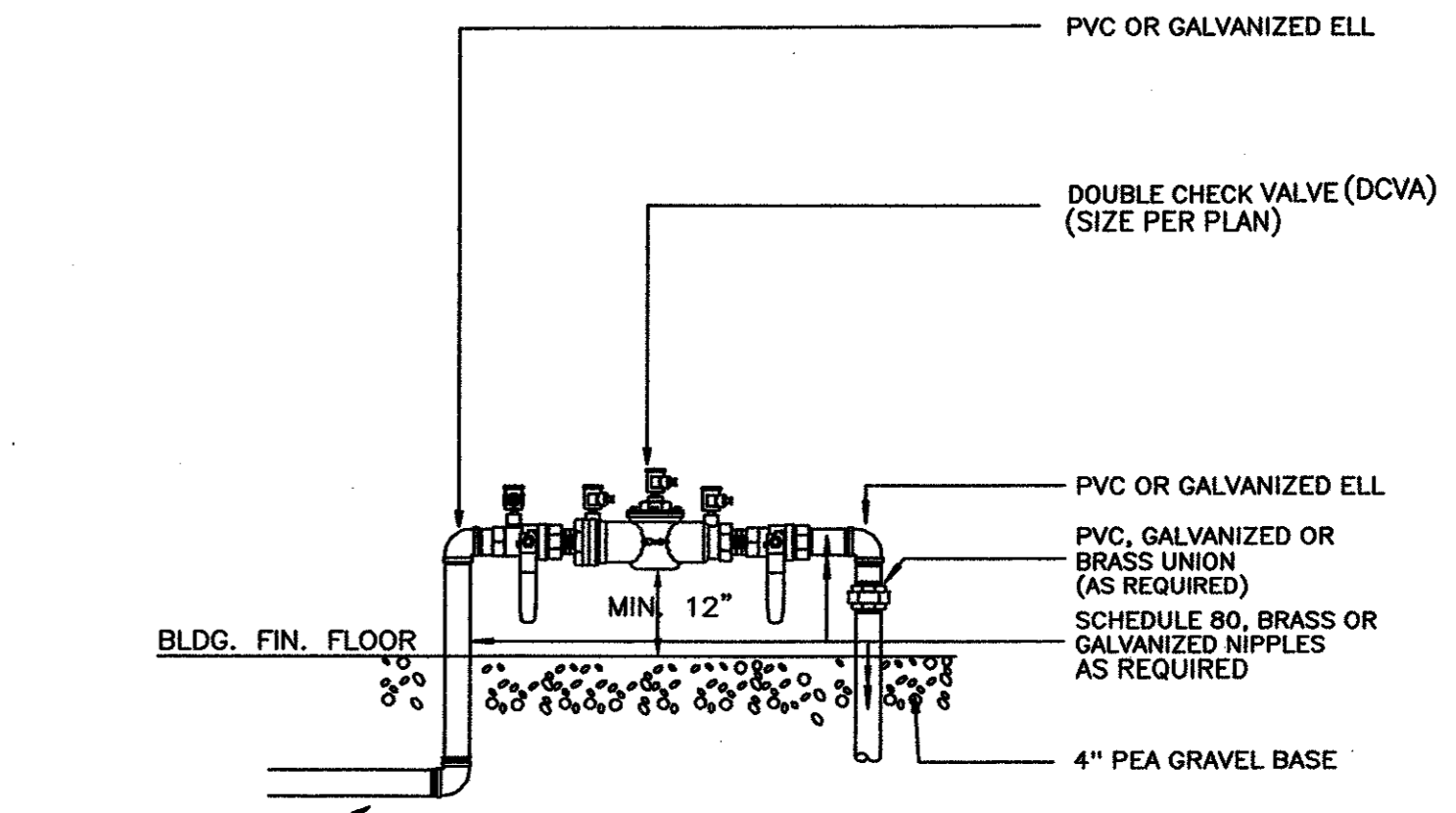
NOTE: SLEEVE BELOW ALL HARDSCAPE ELEMENTS WITH SCHEDULE 40 PVC 2 TIMES THE DIAMETER OF THE PIPE WITHIN.

**PIPE & WIRE TRENCHING**



- 1 FINISH GRADE/TOP OF MULCH
- 2 POP-UP SPRAY SPRINKLER: RAIN BIRD 1804 PRS
- 3 1/2-INCH MALE NPT x .490 INCH BARB ELBOW: RAIN BIRD MODEL SBE-050
- 4 PVC LATERAL PIPE
- 5 SWING PIPE, 12-INCH LENGTH: RAIN BIRD MODEL SP-100
- 6 PVC SCH 40 TEE OR ELL

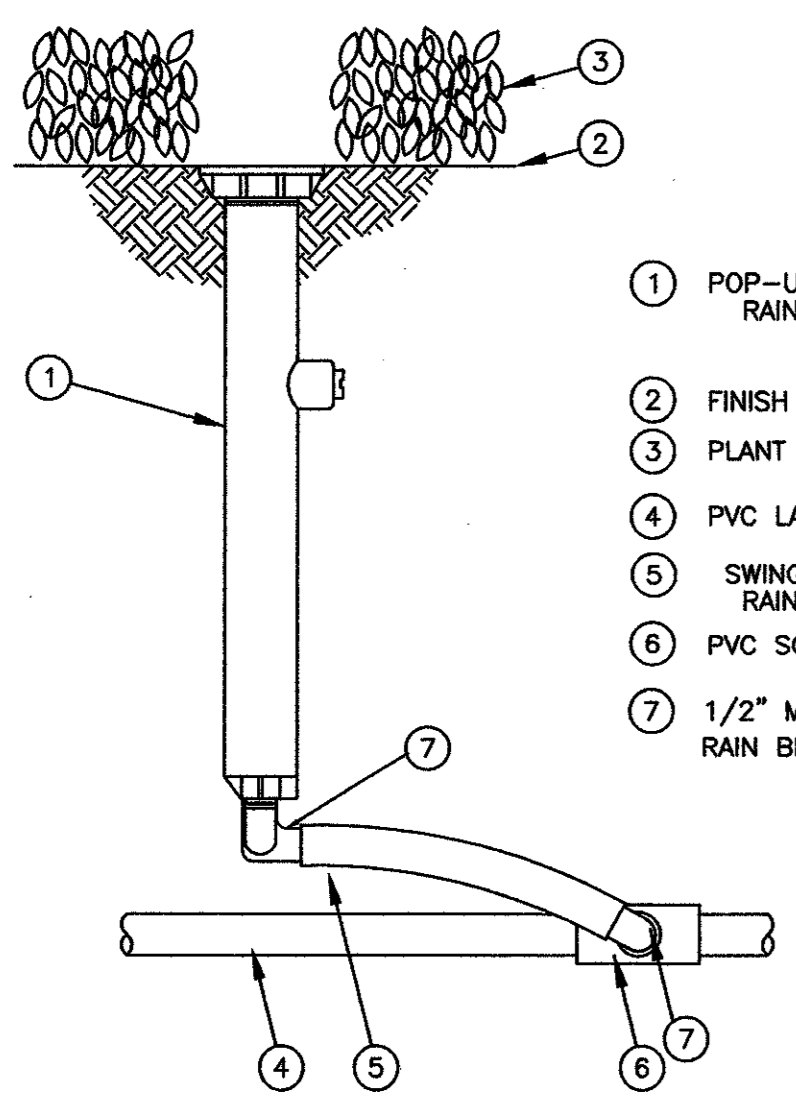
**POP-UP SPRAY SPRINKLER**



NOTE: USE DCVA ONLY. DO NOT USE REDUCED PRESSURE ZONE BACKFLOW PREVENTOR BECAUSE OF HIGH PRESSURE LOSS.

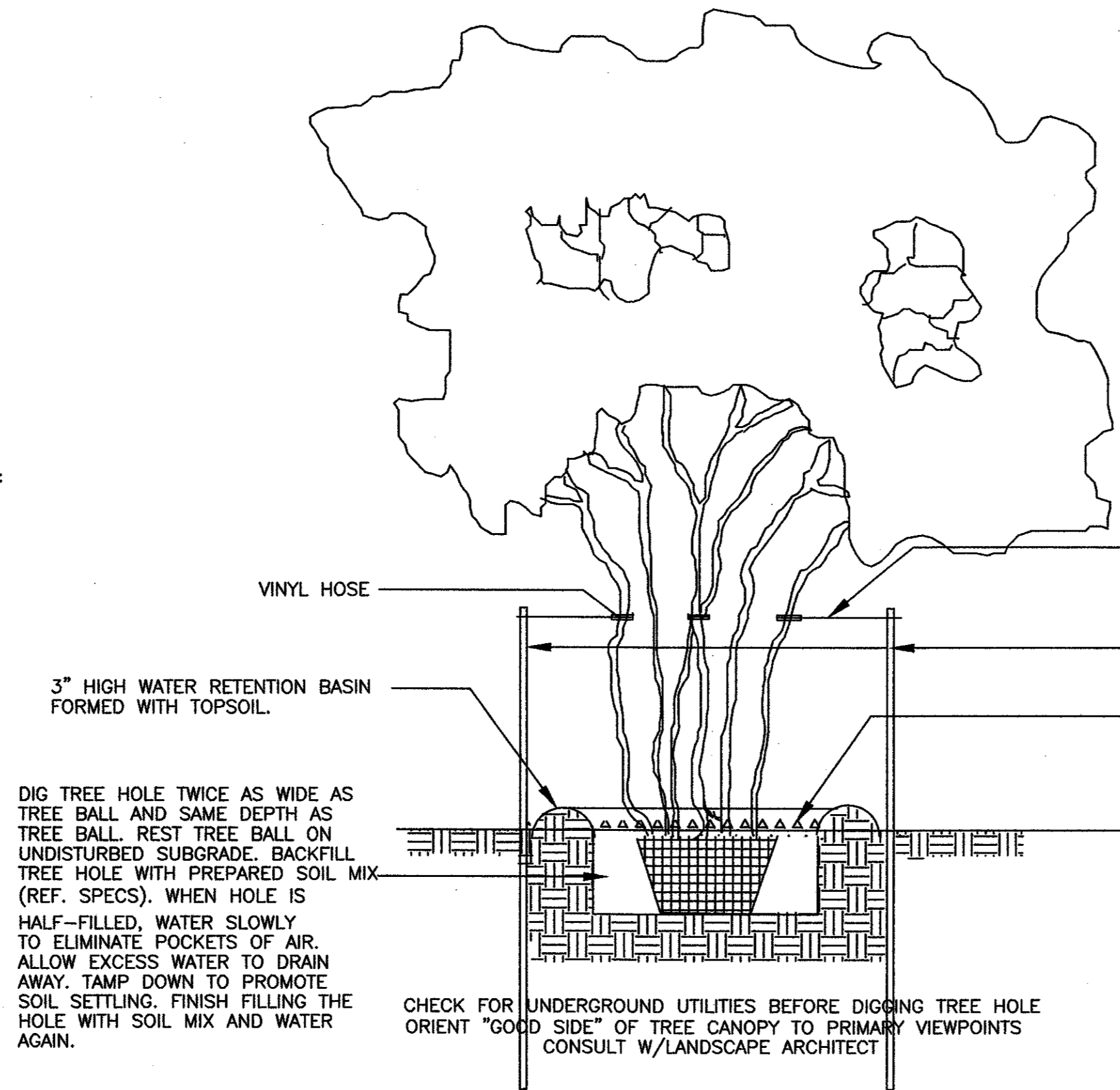
NOTE: INSTALL PER LOCAL CODES AND MANUFACTURER'S RECOMMENDATIONS

**DOUBLE CHECK VALVE ASSEMBLY**



- 1 POP-UP SPRAY SPRINKLER: RAIN BIRD 1812 PRS
- 2 FINISH GRADE/TOP OF MULCH
- 3 PLANT MATERIAL
- 4 PVC LATERAL PIPE
- 5 SWING PIPE, 12" LONG, RAIN BIRD MODEL SP-100
- 6 PVC SCH 40 TEE OR ELL
- 7 1/2" MALE NPT X .490" BARB ELBOW: RAIN BIRD MODEL SBE-050

**POP-UP SPRAY SPRINKLER**



DIG TREE HOLE TWICE AS WIDE AS TREE BALL AND SAME DEPTH AS TREE BALL. REST TREE BALL ON UNDISTURBED SUBGRADE. BACKFILL TREE HOLE WITH PREPARED SOIL MIX (REF. SPECS). WHEN HOLE IS HALF-FILLED, WATER SLOWLY TO ELIMINATE POCKETS OF AIR. ALLOW EXCESS WATER TO DRAIN AWAY. TAMP DOWN TO PROMOTE SOIL SETTLING. FINISH FILLING THE HOLE WITH SOIL MIX AND WATER AGAIN.

CHECK FOR UNDERGROUND UTILITIES BEFORE DIGGING TREE HOLE ORIENT "GOOD SIDE" OF TREE CANOPY TO PRIMARY VIEWPOINTS CONSULT W/LANDSCAPE ARCHITECT

12 GA. WIRE SECURELY AROUND TRUNK & POST. REMOVE ALL SLACK 16" MAX.

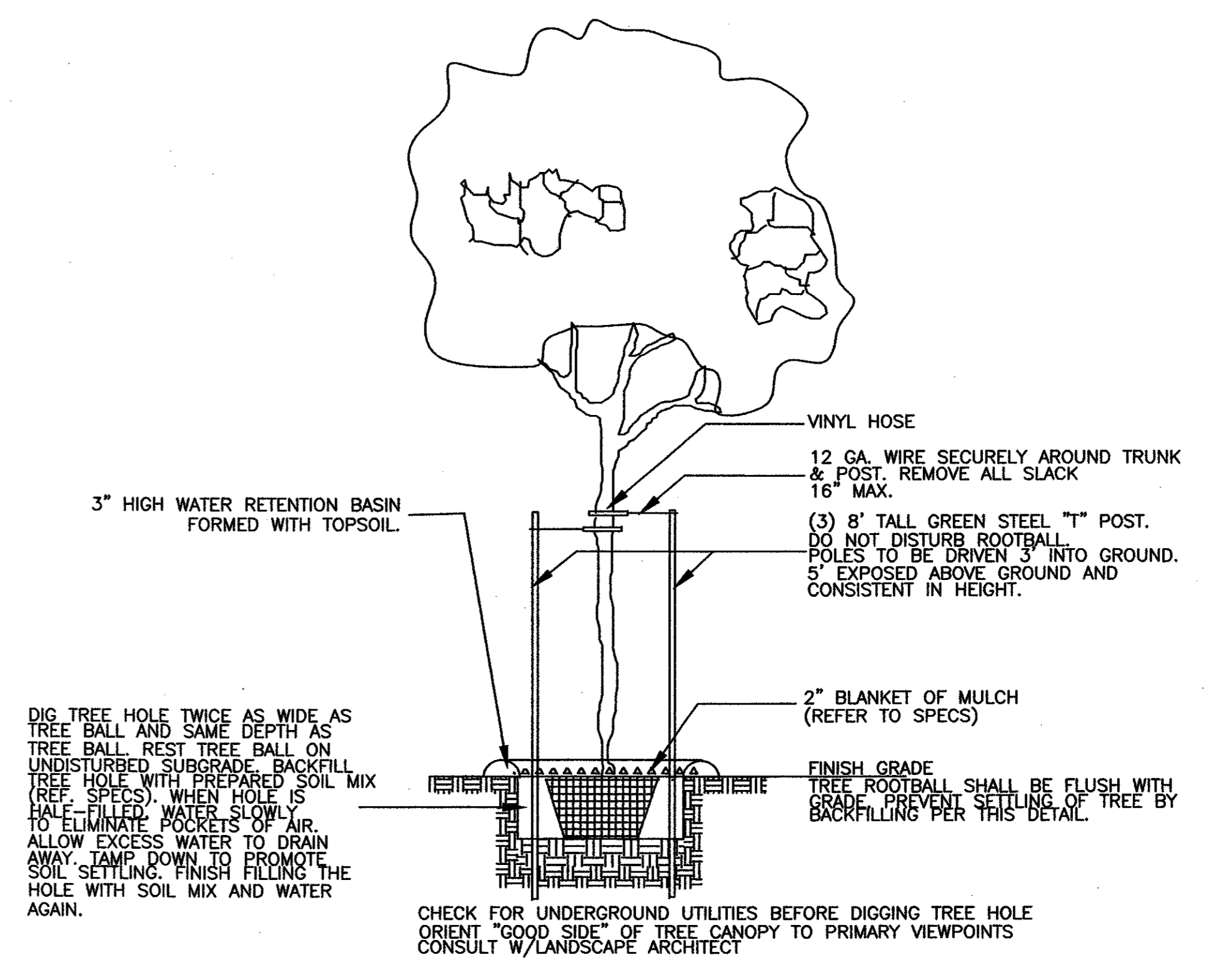
(3) 8' TALL GREEN STEEL "T" POST. DO NOT DISTURB ROOTBALL. POLES TO BE DRIVEN 3" INTO GROUND. 5" EXPOSED ABOVE GROUND AND CONSISTENT IN HEIGHT. 2" BLANKET OF MULCH (REFER TO SPECS)

FINISH GRADE

TREE ROOTBALL SHALL BE FLUSH WITH GRADE. PREVENT SETTLING OF TREE BY BACKFILLING PER THIS DETAIL.

**MULTI-TRUNK TREE PLANTING & ANCHORING DETAIL**

NTS

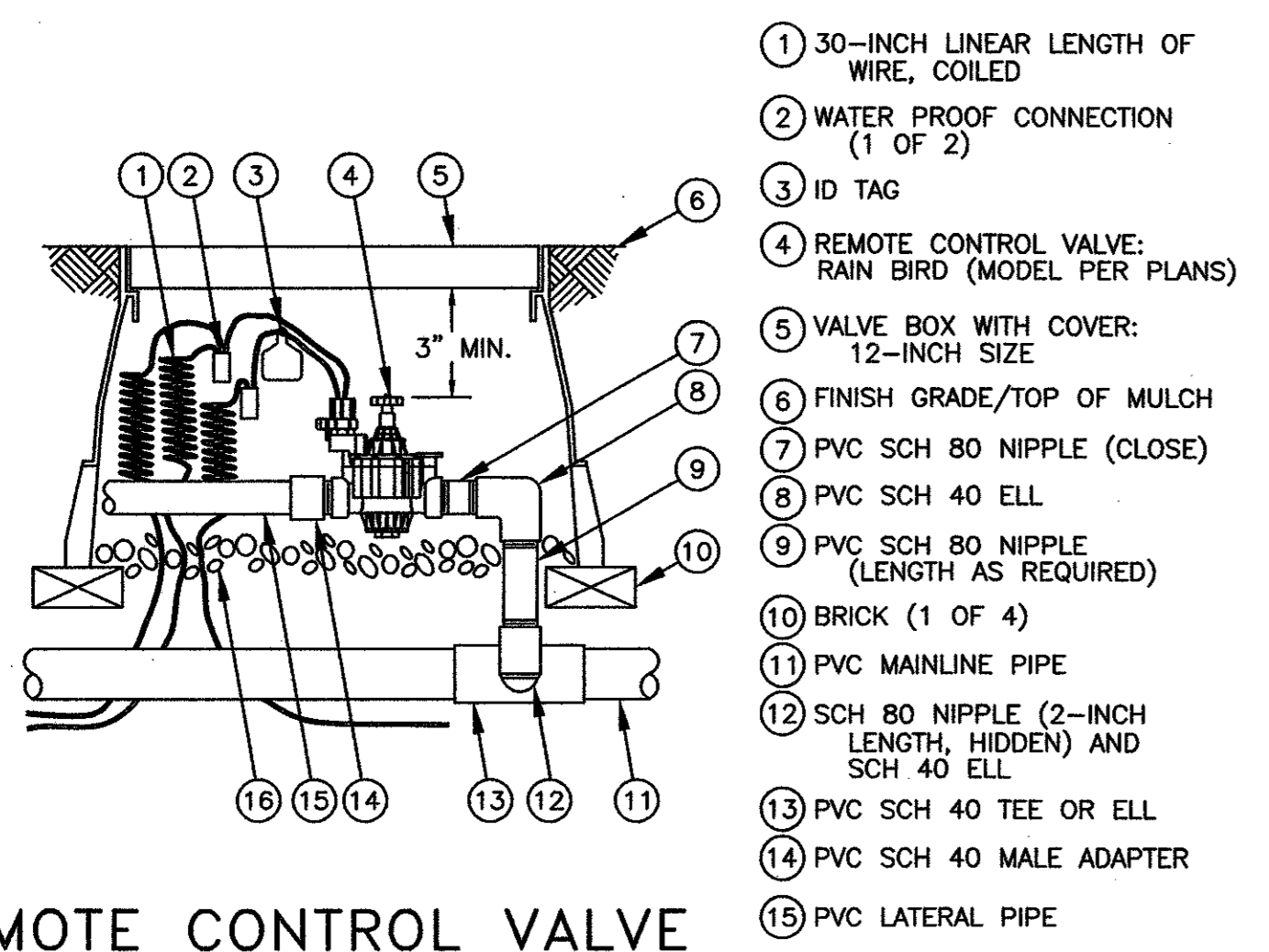


DIG TREE HOLE TWICE AS WIDE AS TREE BALL AND SAME DEPTH AS TREE BALL. REST TREE BALL ON UNDISTURBED SUBGRADE. BACKFILL TREE HOLE WITH PREPARED SOIL MIX (REF. SPECS). WHEN HOLE IS HALF-FILLED, WATER SLOWLY TO ELIMINATE POCKETS OF AIR. ALLOW EXCESS WATER TO DRAIN AWAY. TAMP DOWN TO PROMOTE SOIL SETTLING. FINISH FILLING THE HOLE WITH SOIL MIX AND WATER AGAIN.

CHECK FOR UNDERGROUND UTILITIES BEFORE DIGGING TREE HOLE ORIENT "GOOD SIDE" OF TREE CANOPY TO PRIMARY VIEWPOINTS CONSULT W/LANDSCAPE ARCHITECT

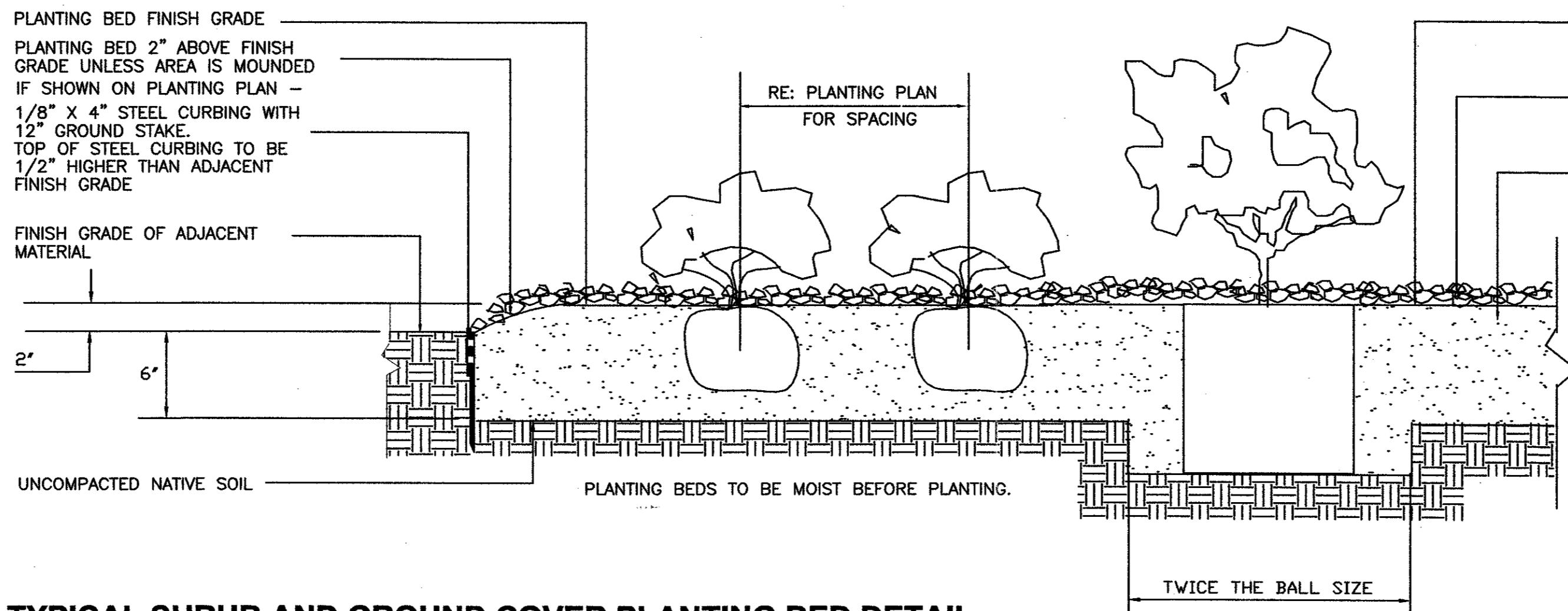
**SINGLE TRUNK TREE PLANTING & ANCHORING DETAIL**

NTS



- 1 30-INCH LINEAR LENGTH OF WIRE, COILED
- 2 WATER PROOF CONNECTION (1 OF 2)
- 3 ID TAG
- 4 REMOTE CONTROL VALVE: RAIN BIRD (MODEL PER PLANS)
- 5 VALVE BOX WITH COVER: 12-INCH SIZE
- 6 FINISH GRADE/TOP OF MULCH
- 7 PVC SCH 80 NIPPLE (CLOSE)
- 8 PVC SCH 40 ELL
- 9 PVC SCH 80 NIPPLE (LENGTH AS REQUIRED)
- 10 BRICK (1 OF 4)
- 11 PVC MAINLINE PIPE
- 12 SCH 80 NIPPLE (2-INCH LENGTH, HIDDEN) AND SCH 40 ELL
- 13 PVC SCH 40 TEE OR ELL
- 14 PVC SCH 40 MALE ADAPTER
- 15 PVC LATERAL PIPE
- 16 3.0-INCH MINIMUM DEPTH OF 3/4-INCH WASHED GRAVEL

**REMOTE CONTROL VALVE**



**TYPICAL SHRUB AND GROUND COVER PLANTING BED DETAIL**

TOP OF ROOTBALL AT FINISH GRADE

2" THICK BLANKET OF SHREDDED HARDWOOD MULCH OVER ENTIRE PLANTING BED

MIN. 6" THICK BLANKET OF SCREENED BEDDING SOIL. SPREAD ORGANIC FERTILIZER OVER ENTIRE BED AT THE RATE OF 25 LBS. PER 1000 S.F. THOROUGHLY ROTOTILL 12" INTO EXISTING SOIL. RAKE SMOOTH BEFORE AND AFTER PLANTING.

NTS

DRAWING FILE: E:\2002.000.000\2002.015.000.dwg Landscape & Irrigation\DETAILS.DWG

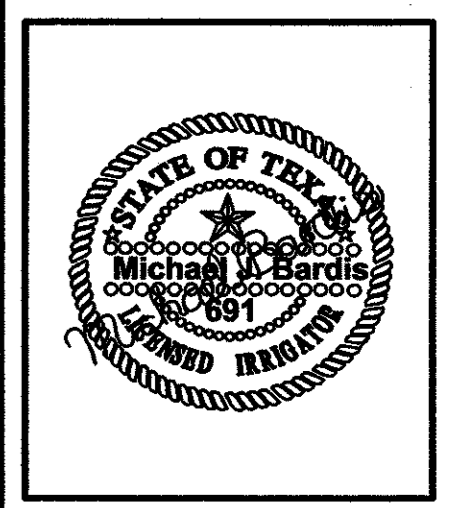
**RaceTrac Petroleum, Inc.**  
 300 Technology Ct.  
 Springtown, TN 37082  
 Contact: Michael Bardis  
 (770) 430-7600 x1128

**Baird, Hampton & Brown, Inc.**  
**Engineering & Surveying**  
 309 W. 7th St., Ste. 500 Ft. Worth, TX 76102 Tel: (817) 338-1977 Fax: (817) 338-6245 E-Mail: mhb@bhb.com

NO.	DESIGNED:	DRAWN:	CHECKED:	DATE:
1	MJB	MJB	MJB	08/15/00
DCA IN BLDG.		REVISIONS	DATE:	
		3/20/03		

**IRRIGATION & PLANTING DETAILS**

**RaceTrac Service Station #646**  
 Marsh Ln. & Realty Rd.  
 Addison, Texas



BHB PROJECT NO:  
**2000.015.000**

SHEET NO:  
**L-3 OF 5L**