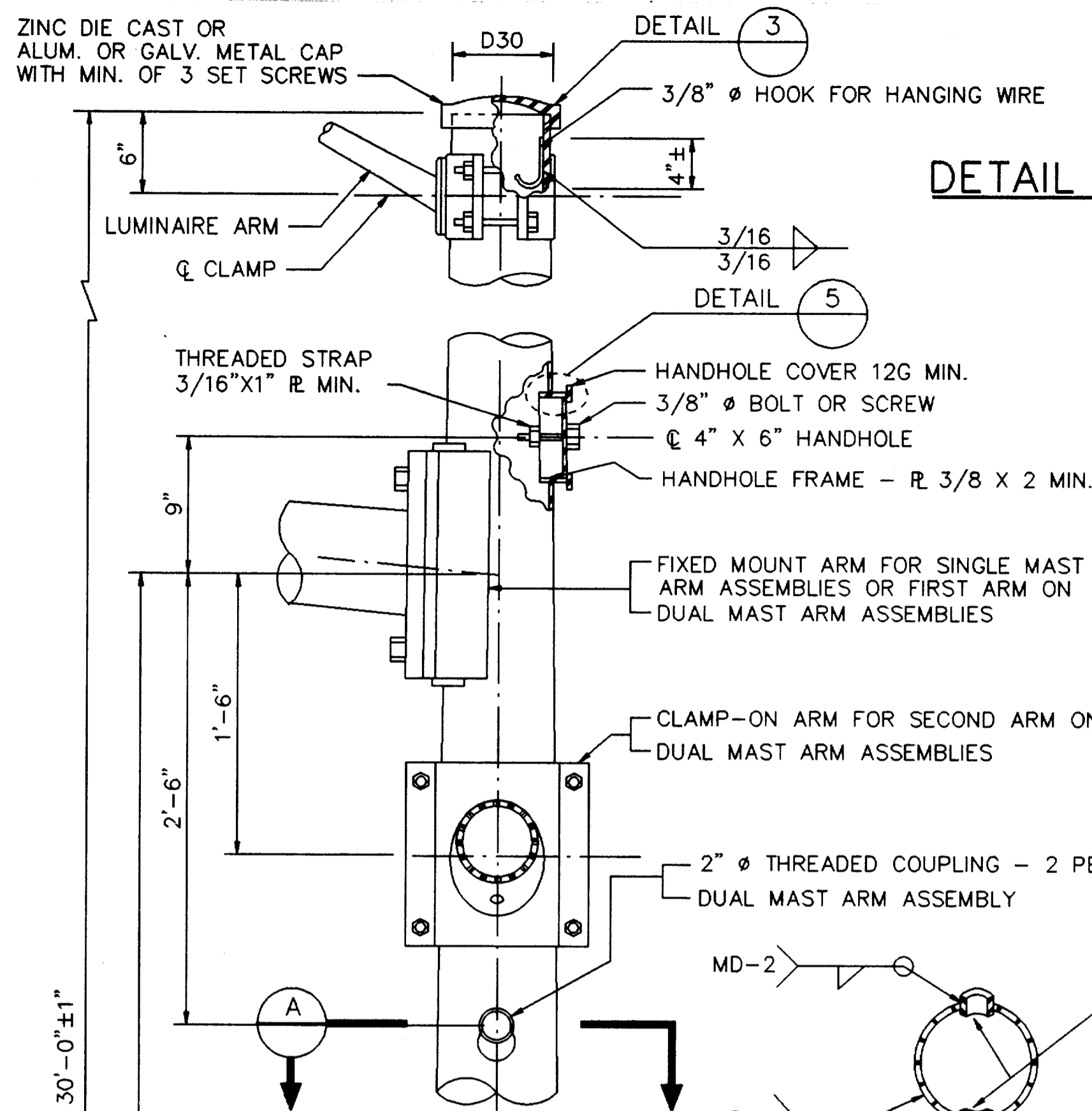
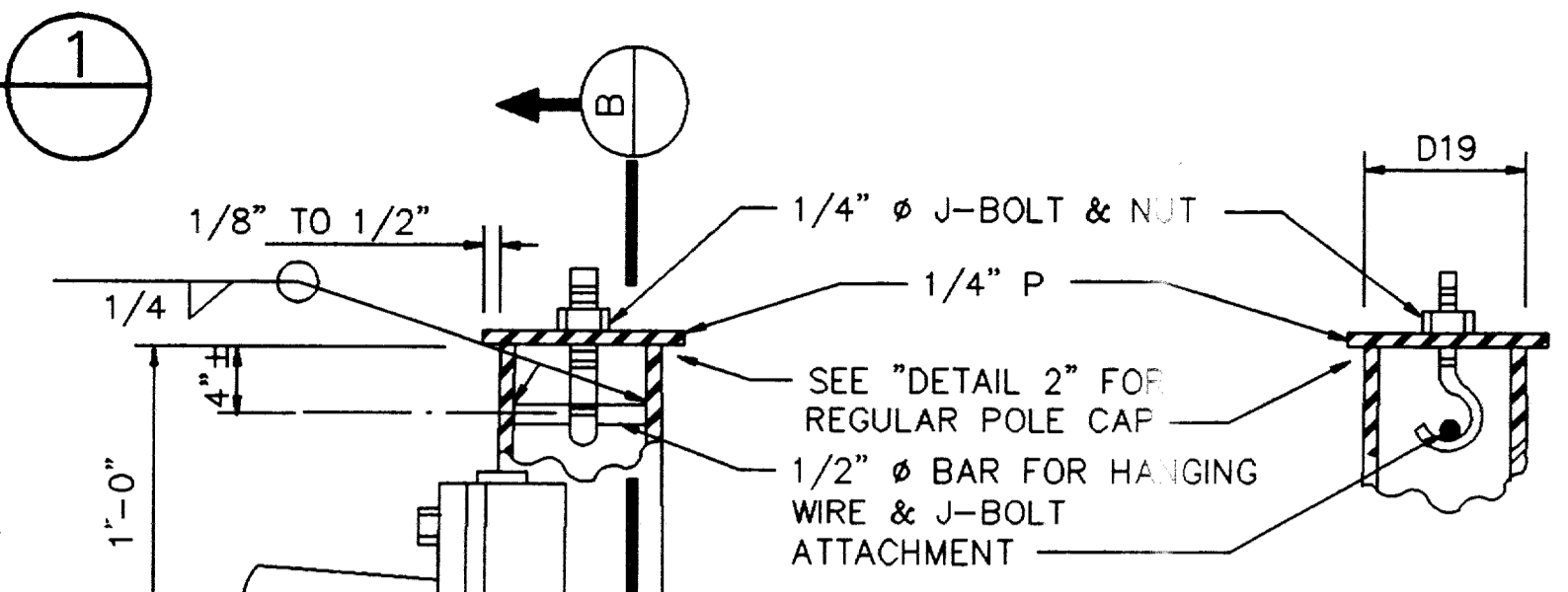


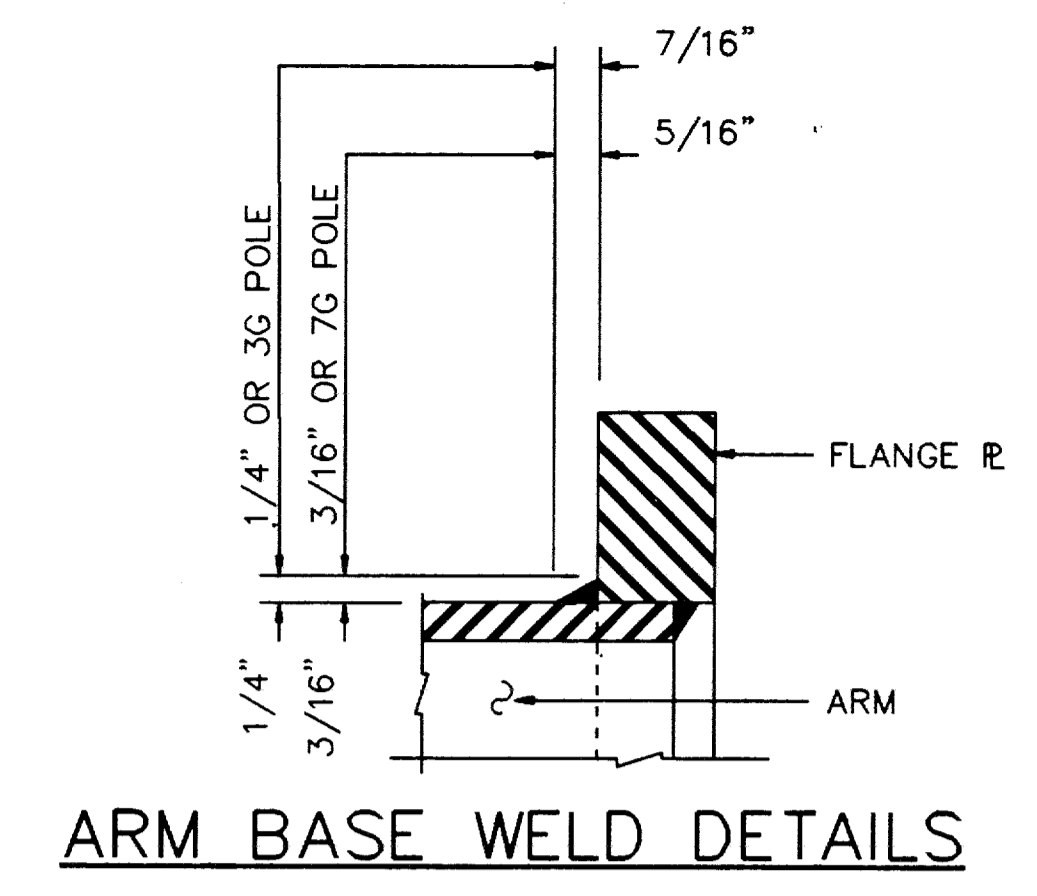
ZINC DIE CAST OR ALUM. OR GALV. METAL CAP WITH MIN. OF 3 SET SCREWS



DETAIL 1

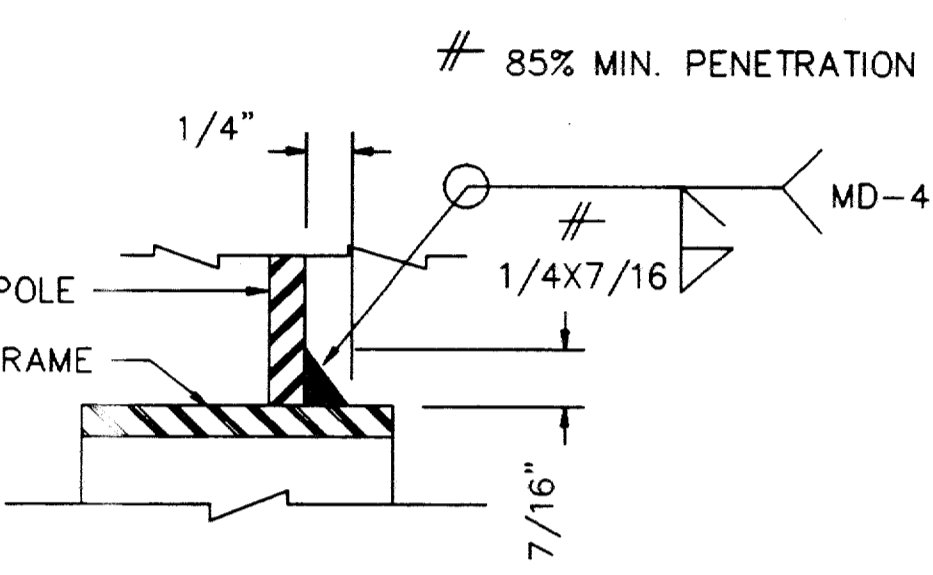
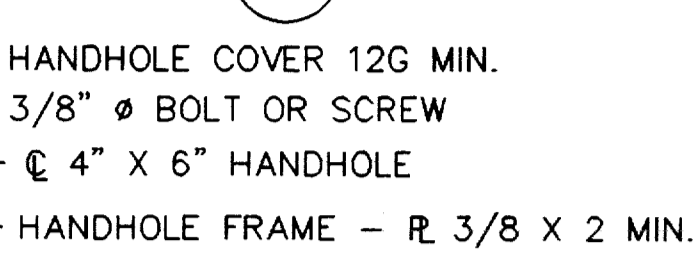


SECTION B

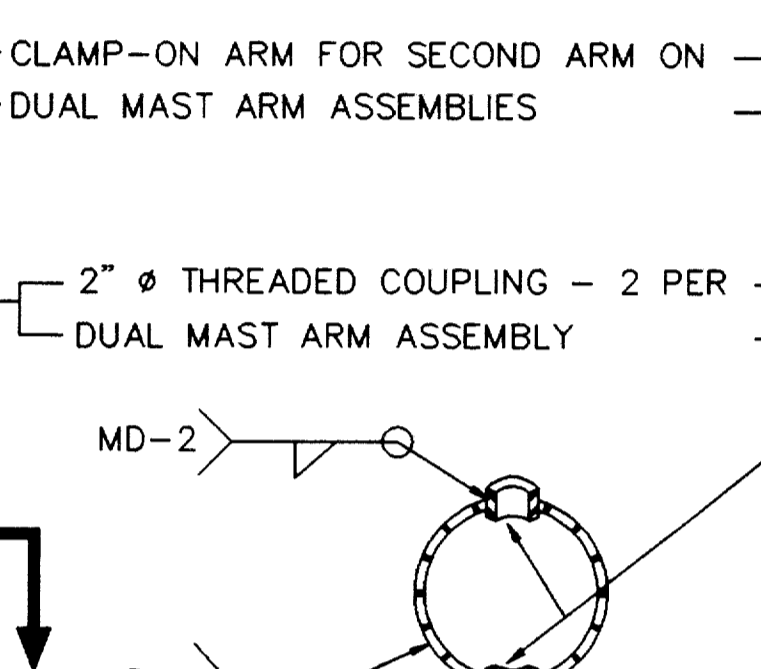


MATERIALS	
ROUND SHAFTS	ASTM A595 GRA, ASTM A570 GR50
PLATES (1)	ASTM A36 OR A572 GR50 OR A595 (2) OR A36M50
CONNECTION BOLTS	ASTM A325 EXCEPT WHERE NOTED
PIN BOLTS	ASTM A325
PIPE	ASTM A53 GR A OR B, OR A501
MISC. HARDWARE	GALVANIZED STEEL OR STAINLESS OR AS NOTED

(1) ANY OF THE MATERIALS LISTED FOR PLATES MAY BE USED WHERE THE DRAWINGS DO NOT SPECIFY A PARTICULAR GRADE DESIGNATION.
 (2) IF A595 MATERIAL IS USED, IT NEED NOT BE COLD WORKED TO A595 REQUIREMENTS, BUT MATERIALS MUST HAVE 40 KSI MINIMUM YIELD PRIOR TO FABRICATION.

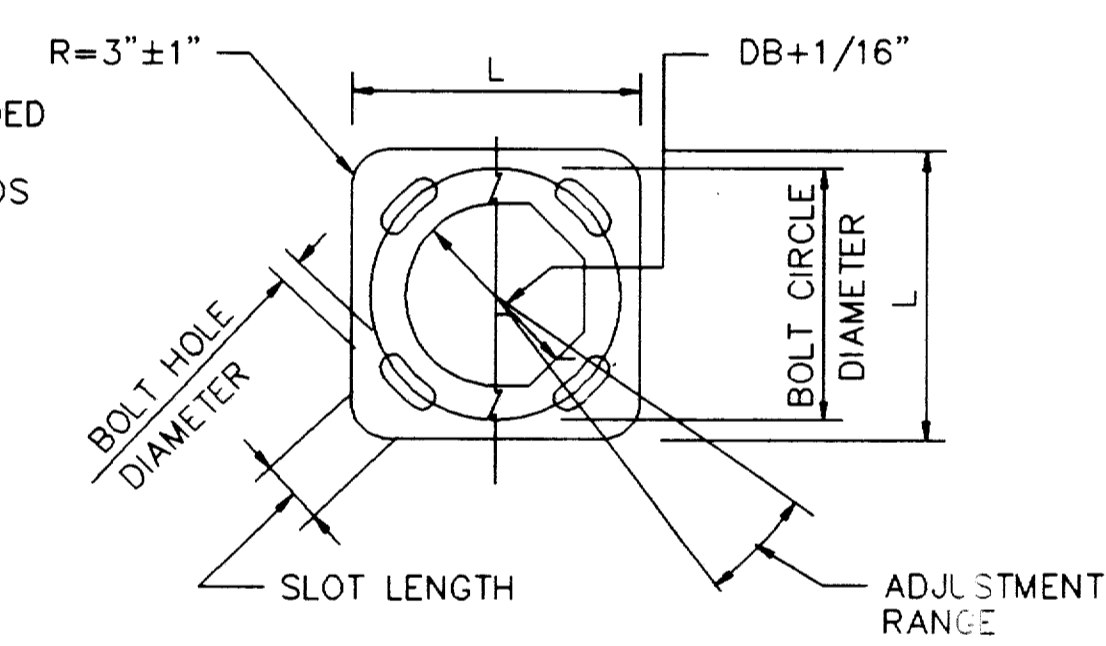


DETAIL 5

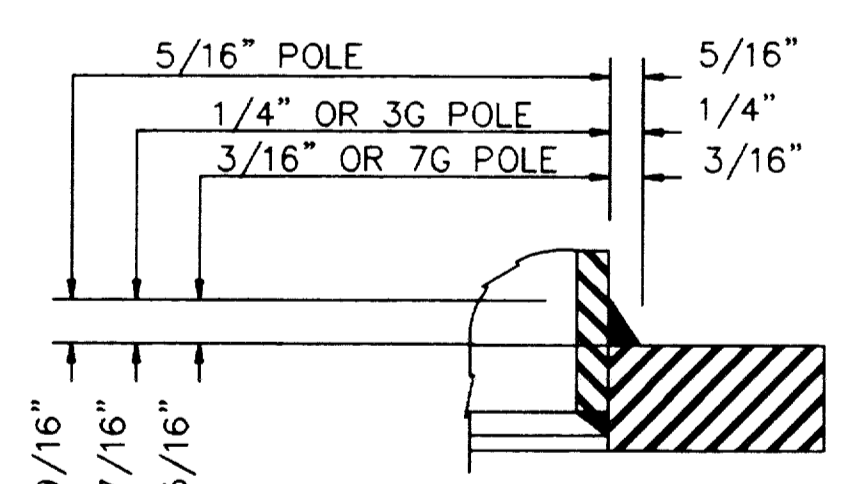


SECTION A

DETAIL 3 (FOR POLE WITHOUT LUMINAIRE)

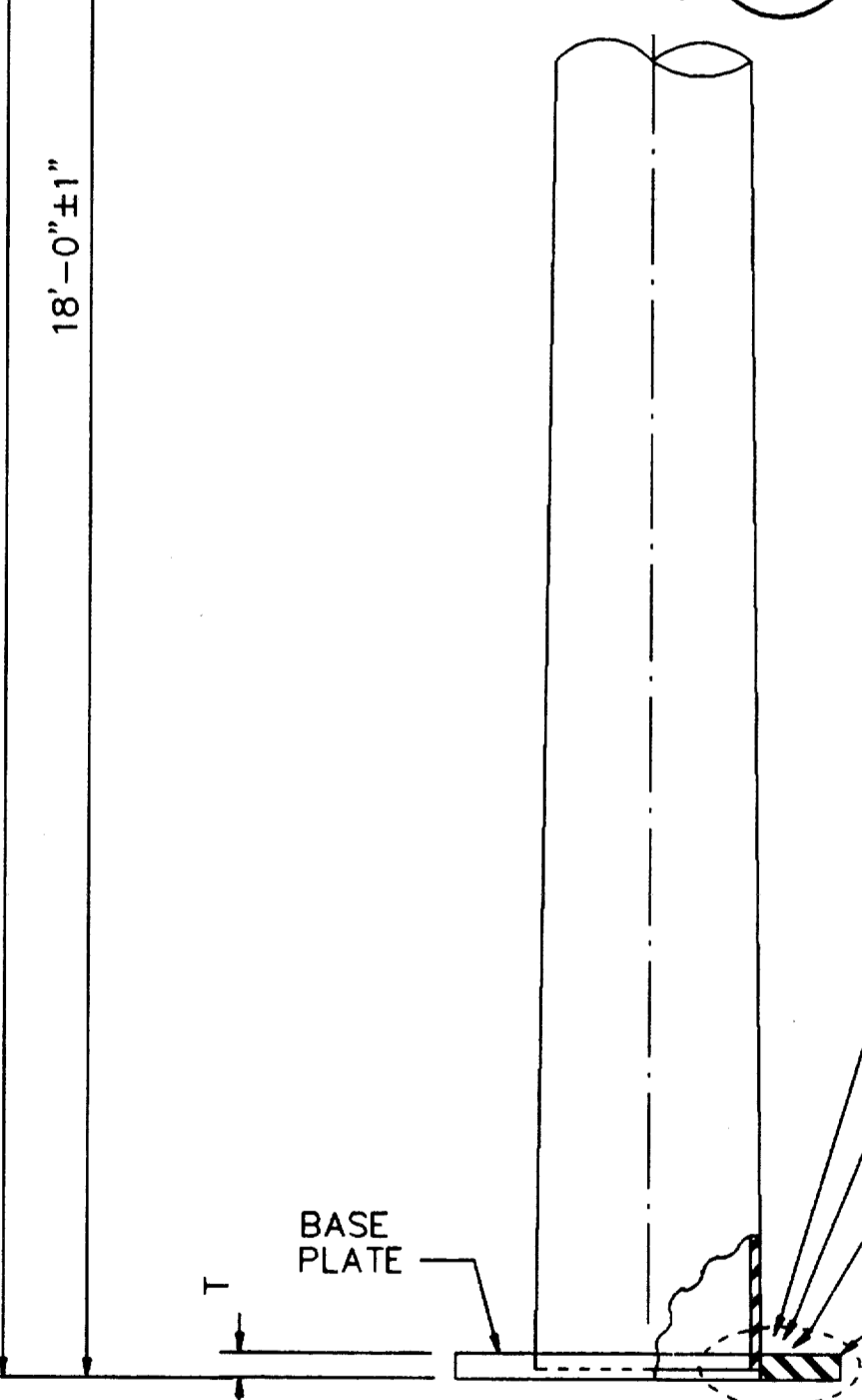


BASE PLATE PLAN

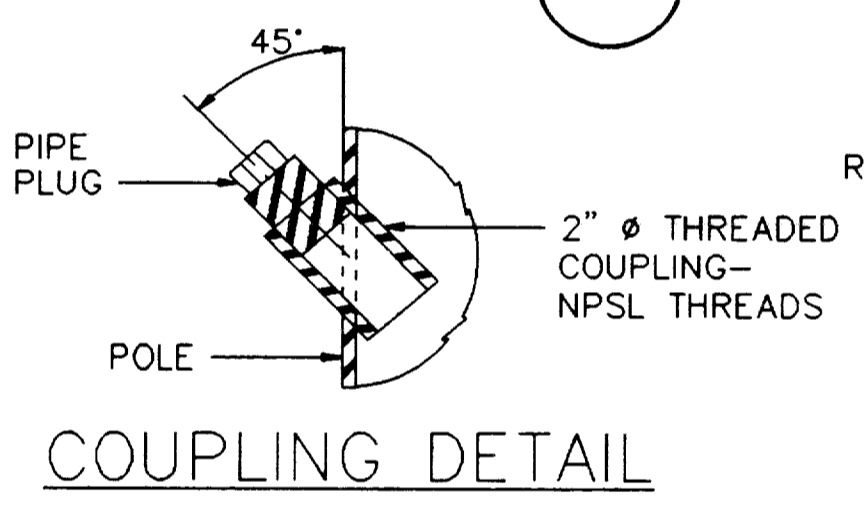


DETAIL 4

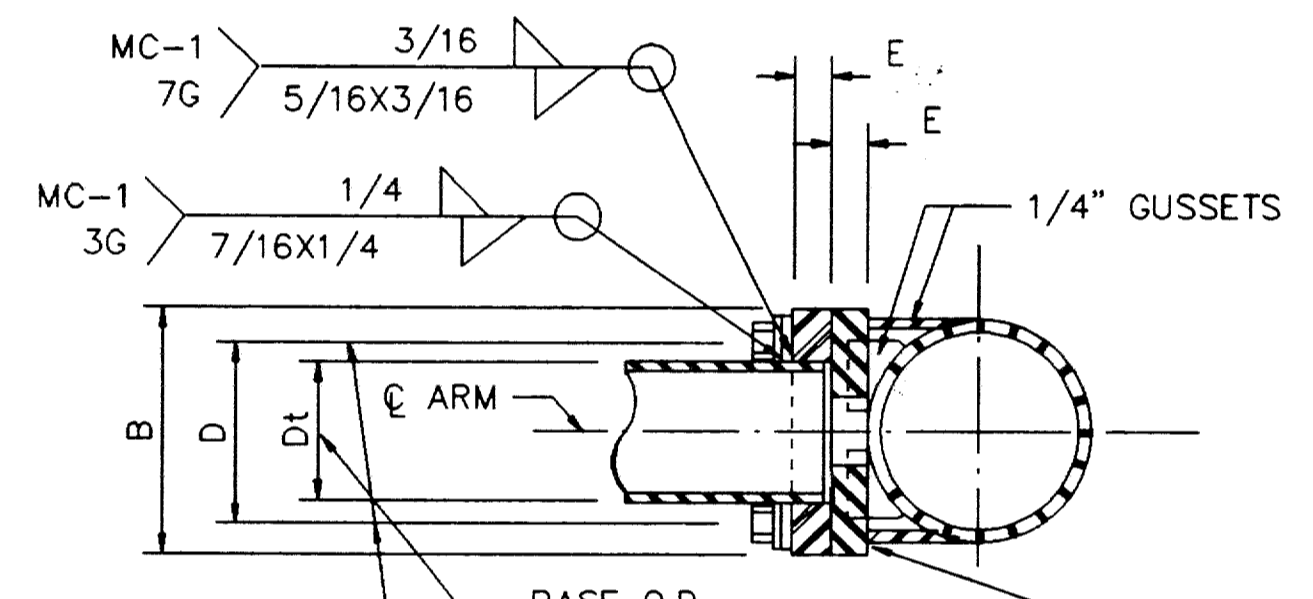
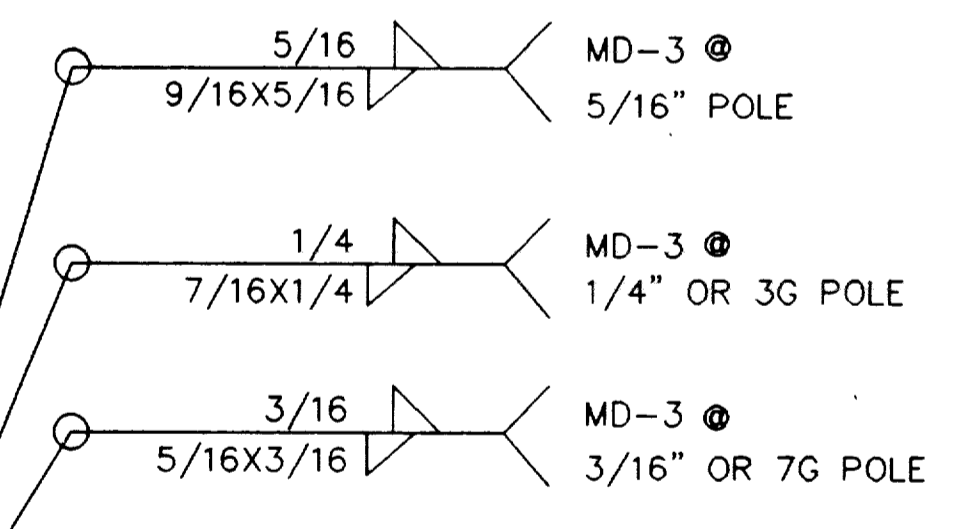
DETAIL 2 (FOR POLE WITH LUMINAIRE)



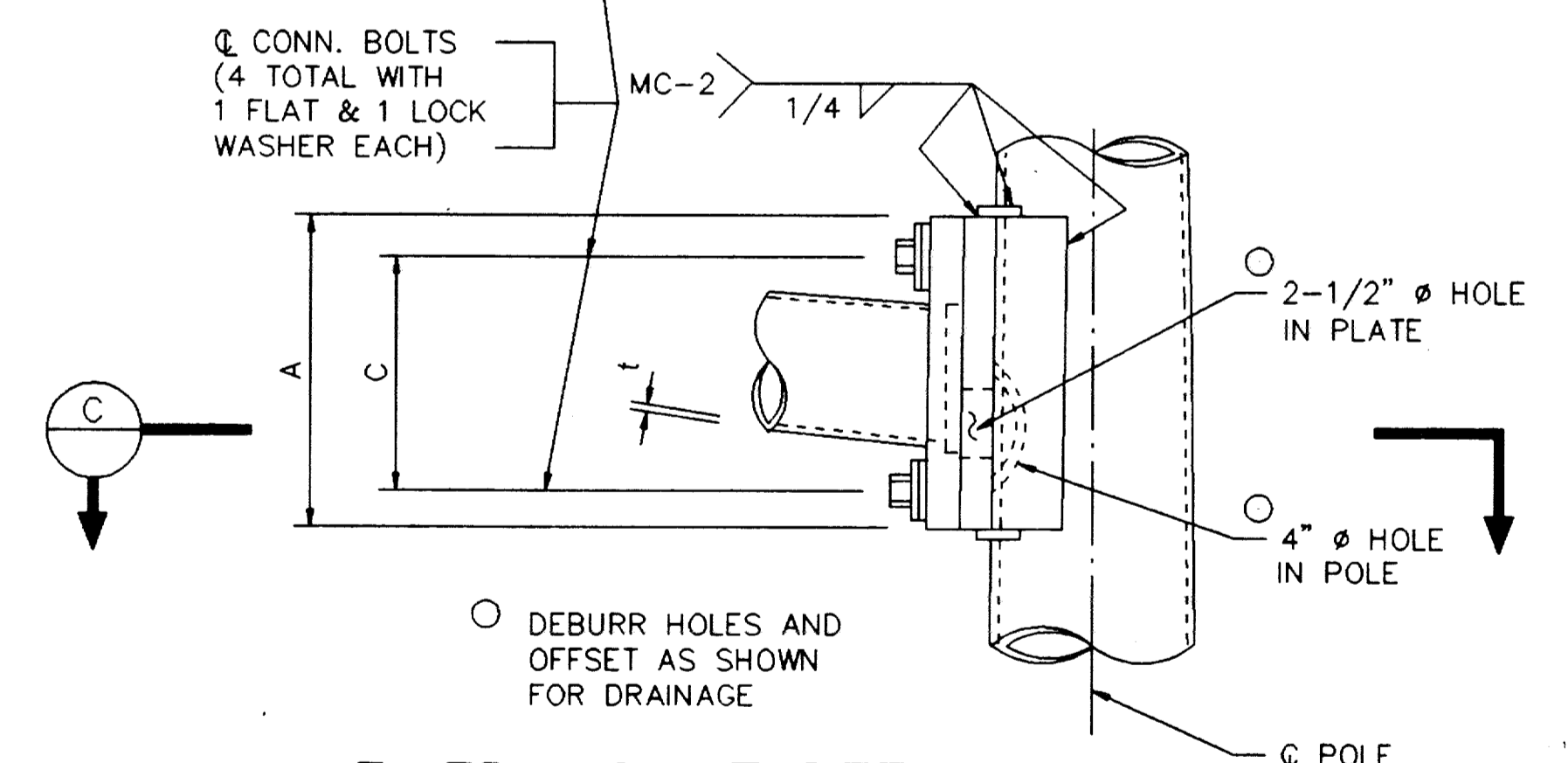
POLE ELEVATION



COUPLING DETAIL



SECTION C



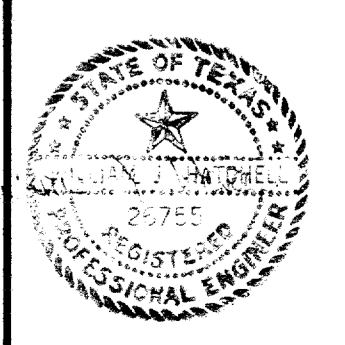
FIXED MOUNT DETAIL

ARM SIZE	Dt	t	A	B	C	D	E	CONN. BOLT DIAM.
	in	in	in	in	in	in	in	in
6.5	.179	12	9	9	6	1	1	1
7.5	.179	13	9	10	6	1	1	1
8.0	.179	14	10	11	7	1-1/4	1-1/4	
9.0	.179	16	11	13	8	1-1/4	1-1/4	
9.5	.179	17	12	14	9	1-1/4	1-1/4	
9.5	.239	18	12	15	9	1-1/4	1-1/4	
10.0	.239	18	12	15	9	1-1/4	1-1/4	
10.5	.239	18	13	15	10	1-1/2	1-1/2	
11.0	.239	18	13	15	10	1-1/2	1-1/2	

GENERAL NOTES:
 CLAMP-ON DETAILS ARE USED FOR THE SECOND ARM ON DUAL MAST ARM ASSEMBLIES. A MAXIMUM 1-1/2" WIDE VERTICAL SLOTTED HOLE MAY BE CUT IN THE FRONT CLAMP PLATE TO FACILITATE DRAINAGE DURING GALVANIZING. THE SLOT SHALL BE CENTERED BEHIND THE ARM AND SHALL BE NO LONGER THAN THE ARM DIAMETER MINUS 1".
 FIXED MOUNT DETAILS ARE USED FOR SINGLE MAST ARM ASSEMBLIES AND FOR THE FIRST ARM ON DUAL MAST ARM ASSEMBLIES.
 WHERE DUPLICATE PARTS OCCUR ON DETAIL, WELDS SHOWN FOR ONE PART SHALL APPLY TO ALL SIMILAR PARTS ON THE DETAIL.
 PIN BOLTS ARE REQUIRED TO PREVENT ROTATION OF CLAMP-ON ARMS UNDER DESIGN WIND FORCES.
 ALL POLES ARMS & METAL HARDWARE TO BE PAINTED "BRUSHING BROWN".

NO.	REVISION	BY	DATE

DESIGNED BY: _____
 DRAWN BY: _____
 CHECKED BY: _____
 SCALE: _____
 DATE: _____



ESPEY, HUSTON & ASSOCIATES, INC.
 Engineering & Environmental Consultants
 13800 Montfort Drive Suite 230 Dallas, Texas 75240
 (214) 387-0771

MAST ARM CONNECTIONS

SHEET NO. _____
 OF _____ SHEETS
 JOB NO. _____