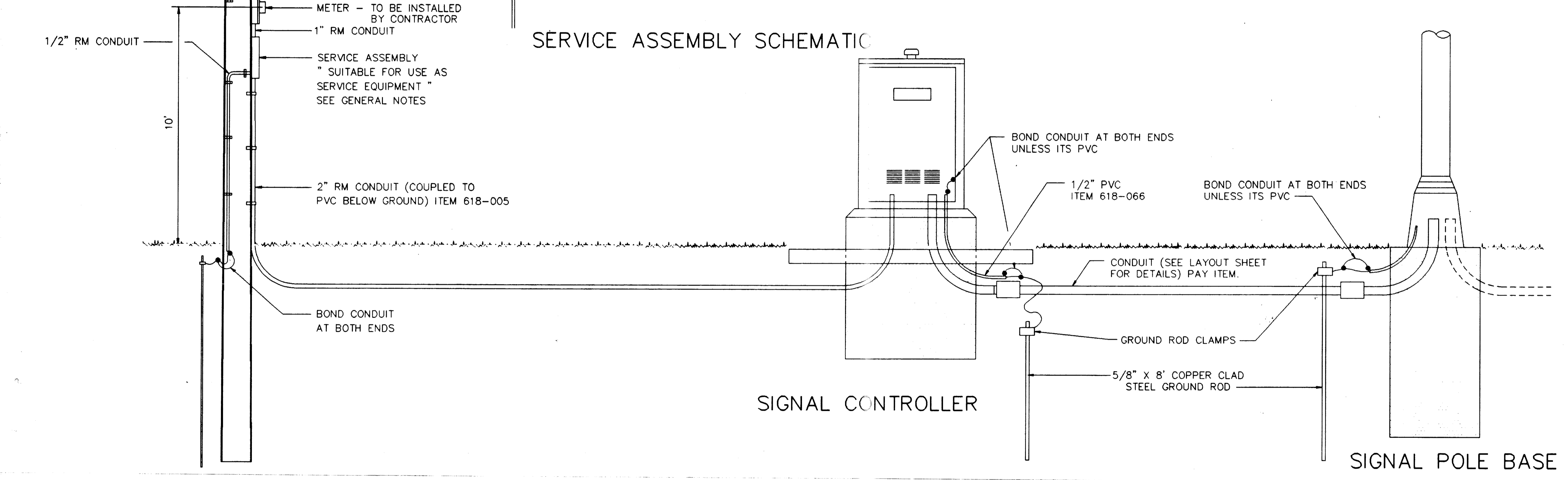


SERVICE ASSEMBLY SCHEMATIC

CONNECTIONS AT SIGNAL CONTROLLERS

CONNECTIONS AT POLE BASE

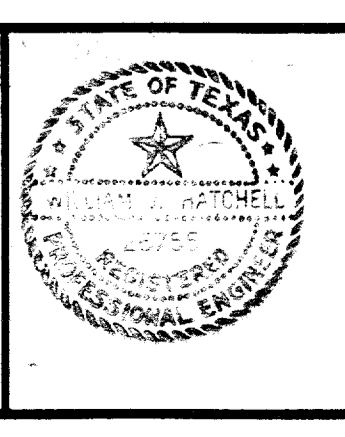


SIGNAL CONTROLLER

SIGNAL POLE BASE

| | | | |
|-----|----------|----|------|
| NO. | REVISION | BY | DATE |
| | | | |
| | | | |
| | | | |
| | | | |
| | | | |

DESIGNED BY: _____
 DRAWN BY: _____
 CHECKED BY: _____
 SCALE: _____
 DATE: _____



eh ESPEY, HUSTON & ASSOCIATES, INC.
 Engineering & Environmental Consultants
 13800 Montfort Drive Suite 230 Dallas, Texas 75240
 (214) 387-0771

SERVICE POLE AND
 GROUNDING DETAILS

SHEET NO. _____
 OF SHEETS _____
 JOB NO. _____