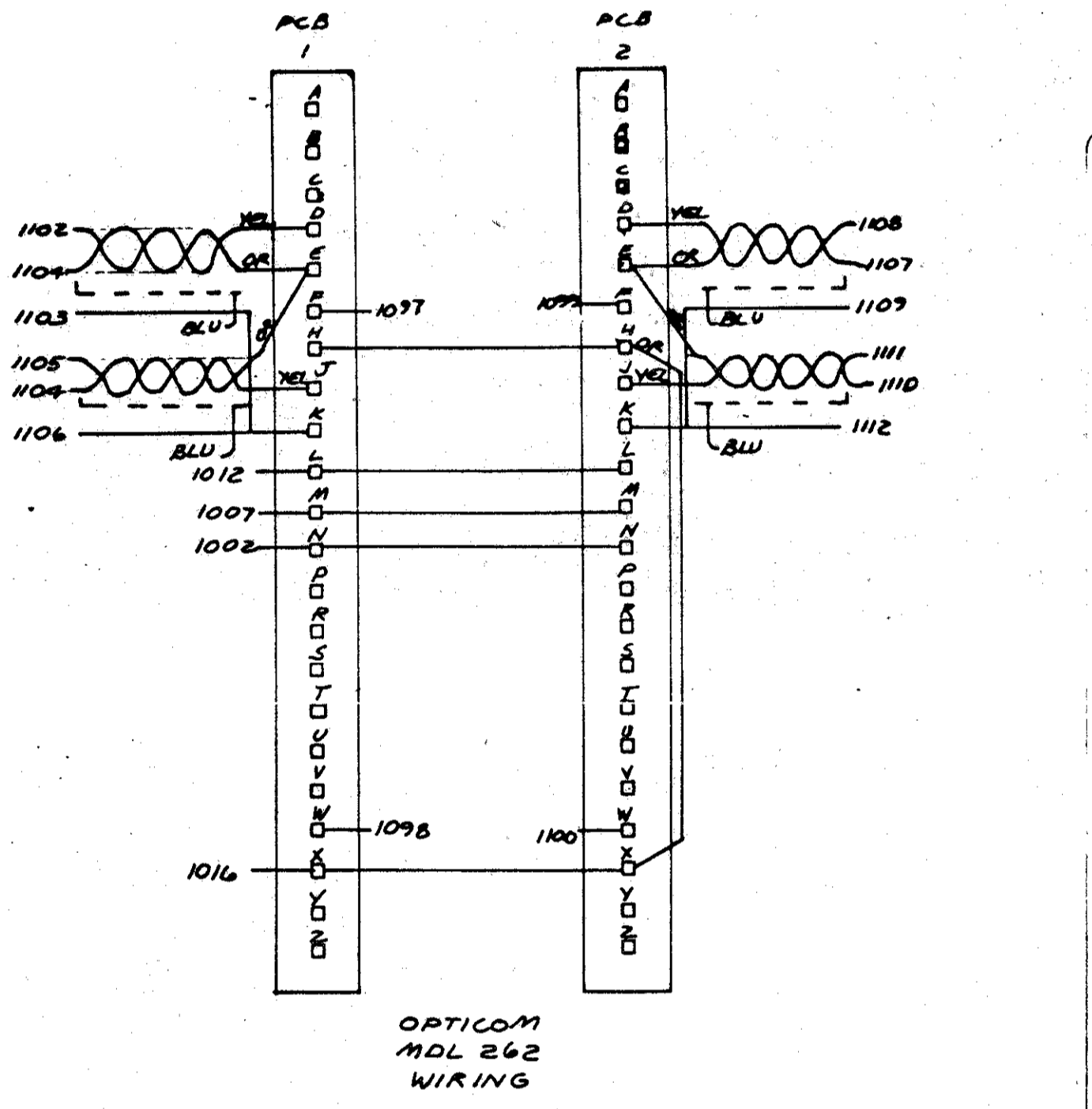
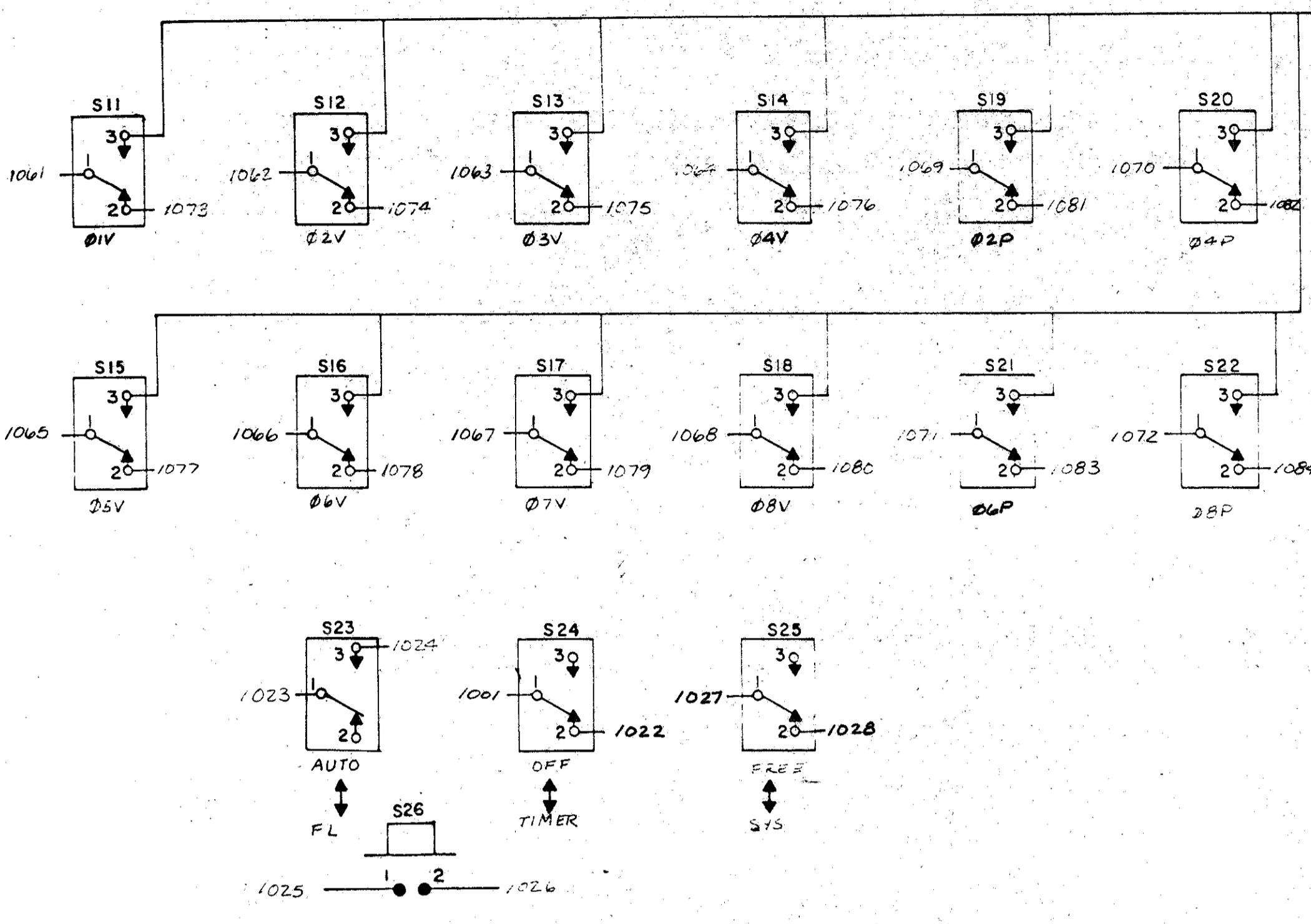


MARK	A	B	C	D	E	F	G	H	I	J	K
*01*	*01	*1007*1017*1002*1031*1032*1073*	NC	*1033*1073*1085*							
*02*	*02-1	*1008*1018*1003*1034*1035*1074*	NC	*1033*1074*1086*							
*03*	*02-2	*1009*1019*1004*1036*1037*1074*	NC	*1038*1074*1086*							
*04*	*02-3	*1010*1020*1005*1039*1040*1074*	NC	*1038*1074*1086*							
*05*	*03	*1007*1017*1002*1041*1042*1075*	NC	*1043*1075*1087*							
*06*	*04-1	*1008*1018*1003*1044*1045*1075*	NC	*1043*1075*1088*							
*07*	*04-2	*1009*1019*1004*1046*1047*1075*	NC	*1043*1075*1088*							
*08*	*04-3	*1010*1020*1005*1049*1050*1075*	NC	*1043*1075*1088*							
*09*	*05	*1007*1017*1002*1051*1052*1077*	NC	*1053*1077*1089*							
*10*	*05-1	*1008*1018*1003*1054*1055*1078*	NC	*1053*1078*1090*							
*11*	*05-2	*1009*1019*1004*1056*1057*1078*	NC	*1053*1078*1090*							
*12*	*05-3	*1010*1020*1005*1059*1060*1078*	NC	*1053*1078*1090*							
*13*	*07	*1007*1017*1002*1113*1114*1079*	NC	*1043*1079*1091*							
*14*	*08-1	*1008*1018*1003*1115*1115*1080*	NC	*1048*1080*1092*							
*15*	*08-2	*1009*1019*1004*1117*1117*1080*	NC	*1053*1080*1092*							
*16*	*08-3	*1010*1020*1005*1119*1120*1080*	NC	*1053*1080*1092*							

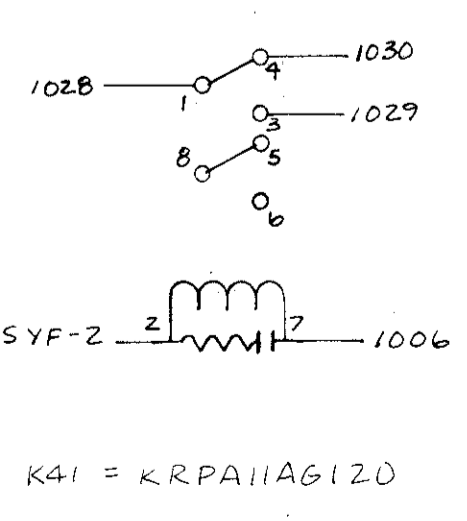


MSD HARNESS

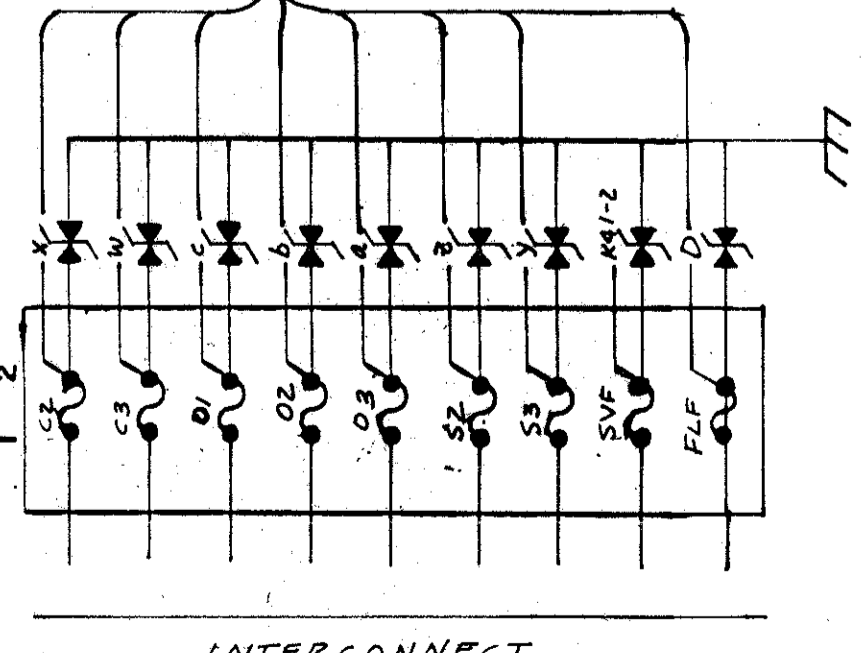
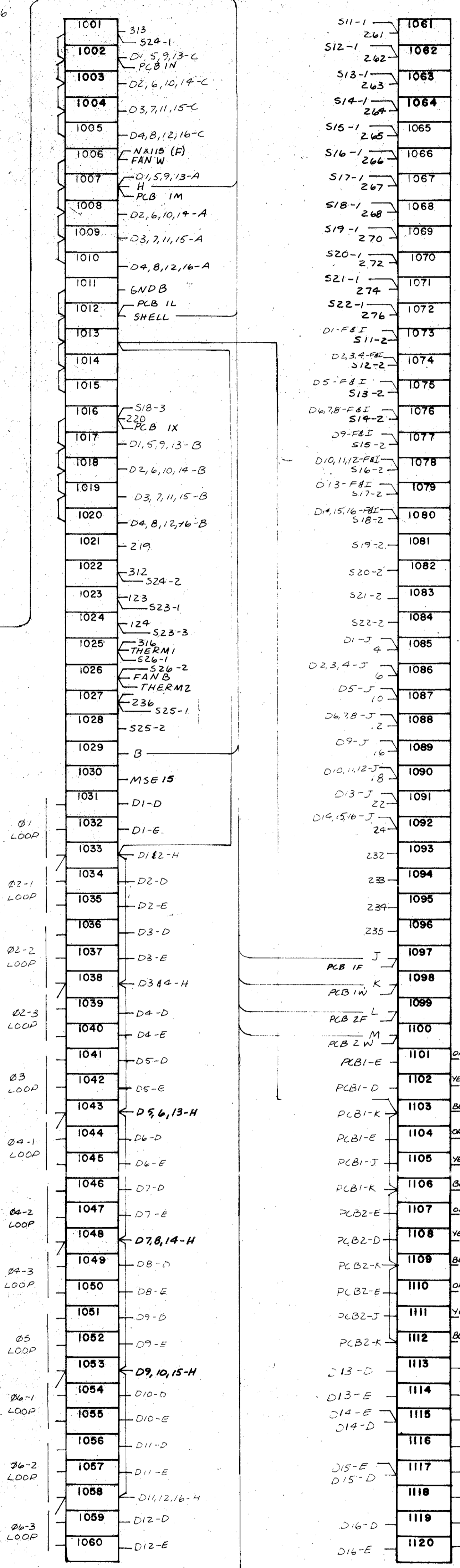
PIN	TO FUNCTION
A	CAP MSTR/SCDY
B	1029 SYSTEM IN
C	CAP FLASH
D	FLF2 SYSTEM FLASH
E	NO WIRE
F	CAP DUAL ENTRY
G	NO WIRE
H	1007 INT. COMMON
J	1097 PE1 IN
K	1098 PE2 IN
L	1099 PE3 IN
M	1100 PE4 IN
N	CAP PEO
P	247 SYSTEM OUT
R	CAP REM FL OUT
S	CAP OFFSET 1 OUT
T	CAP OFFSET 2 OUT
U	CAP OFFSET 3 OUT
V	CAP HOLD OUT
W	C3F2 CYCLE 3 IN
X	C2F2 CYCLE 2 IN
Y	S3F2 SPLIT 3 IN
Z	S2F2 SPLIT 2 IN
a	03F2 OFFSET 3 IN
b	02F2 OFFSET 2 IN
c	01F2 OFFSET 1 IN
SHELL	1012 GROUND

MS E

PIN	TO
1	THRU 13 CAP 22 BLUE
15	1030 "



K41 = KRPA11AG12D



NOTE:  
CONNECT BLUE WIRE TO SHIELD ON FIELD CONDUCTORS

ORIGINAL DATE: 6/17/86	Traffic & Transportation Supply, Inc.
REVISION DATE: 11-23-86	
DRAWN BY: DJW	DETECTOR PANEL
CHECKED:	
DESIGN: DAW	TOWN OF ADDISON
INSTRUMENT: RMC	
DATE: 1986 TTS, Inc.	DELTUNE & MARSH
	2254-01402