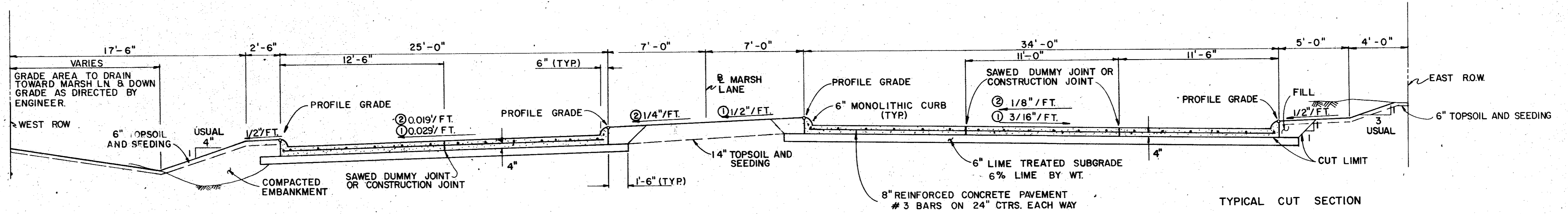
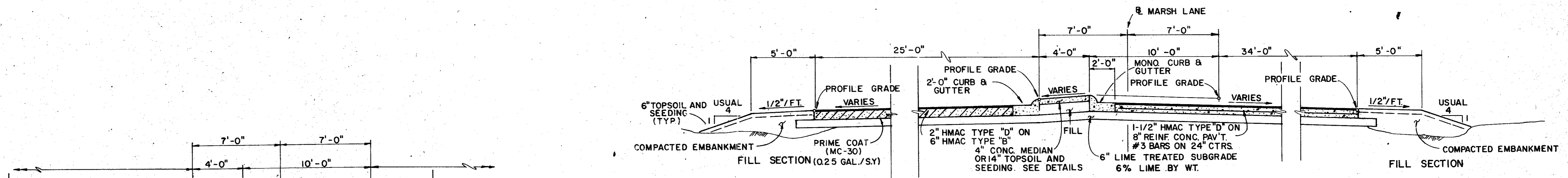


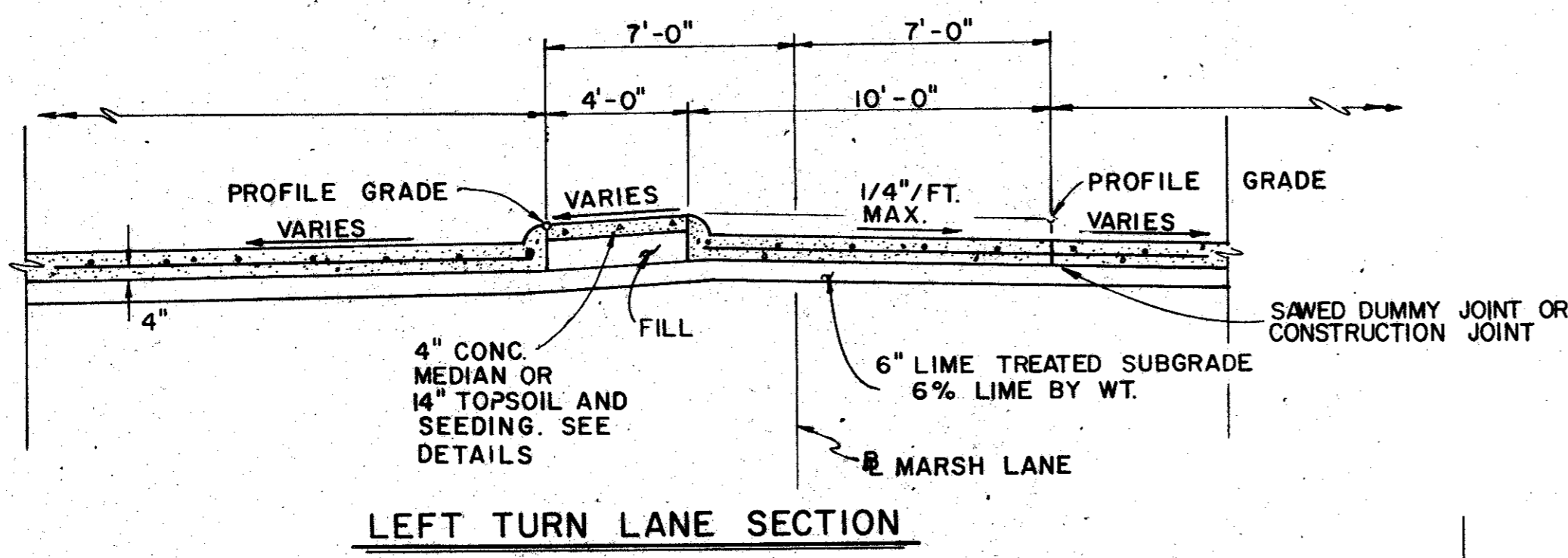
- TYPICAL SECTION**
- ① STA. 66+25 TO 83+00
 - STA. 91+75 TO 99+00
 - STA. 119+50 TO 122+75
 - ② STA. 112+00 TO 118+50



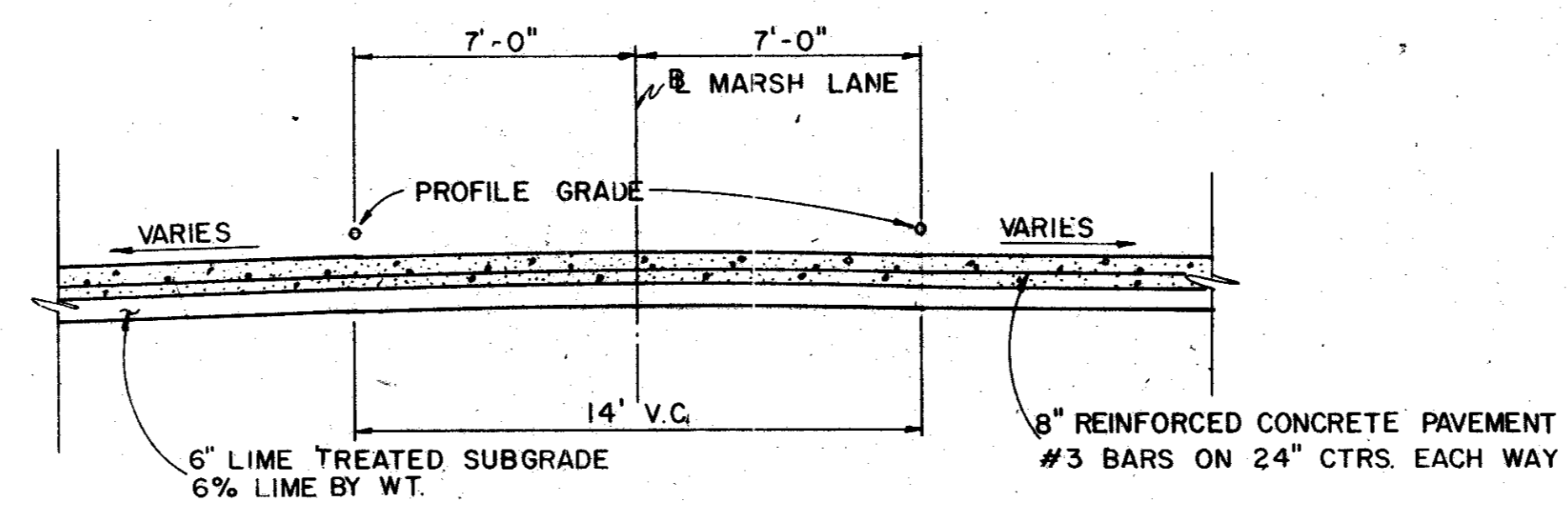
- TYPICAL SECTION**
- ① STA. 100+00 TO 111+00
 - ② STA. 86+00 TO 90+25



TYPICAL SECTION
STA. 59+50 TO 63+94

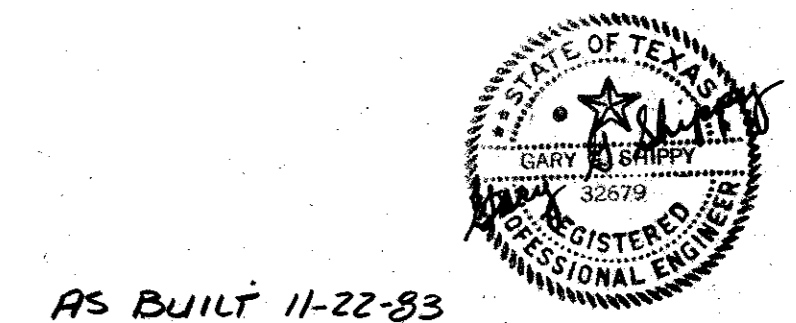


LEFT TURN LANE SECTION



MEDIAN OPENING SECTION

NOTES:
1) SECTIONS FOR STATIONS NOT INCLUDED IN THE ABOVE TYPICALS ARE IN TRANSITION.



4			
3			
2	8/82	REVISED PER CHANGE ORDER NO. 1.	
1	5/82	AS ADDENDUM NO. 1, ART. 6	
NO	DATE	REVISION	APPROV.
CITIES OF ADDISON AND FARMERS BRANCH, TEXAS			
MARSH LANE			
BROOKHAVEN CLUB DRIVE TO BELT LINE ROAD			
TYPICAL ROADWAY SECTIONS			
Turner Collier & Braden Inc.			
Unit	PAL	Scale: 1" = 4'-0"	Date: FEB. 1982
Designed	GGG	Checked: GGS	Job No. 6042-010 Contract
Drawn	LJK	Approved: PAL	Sheet 3 of 66