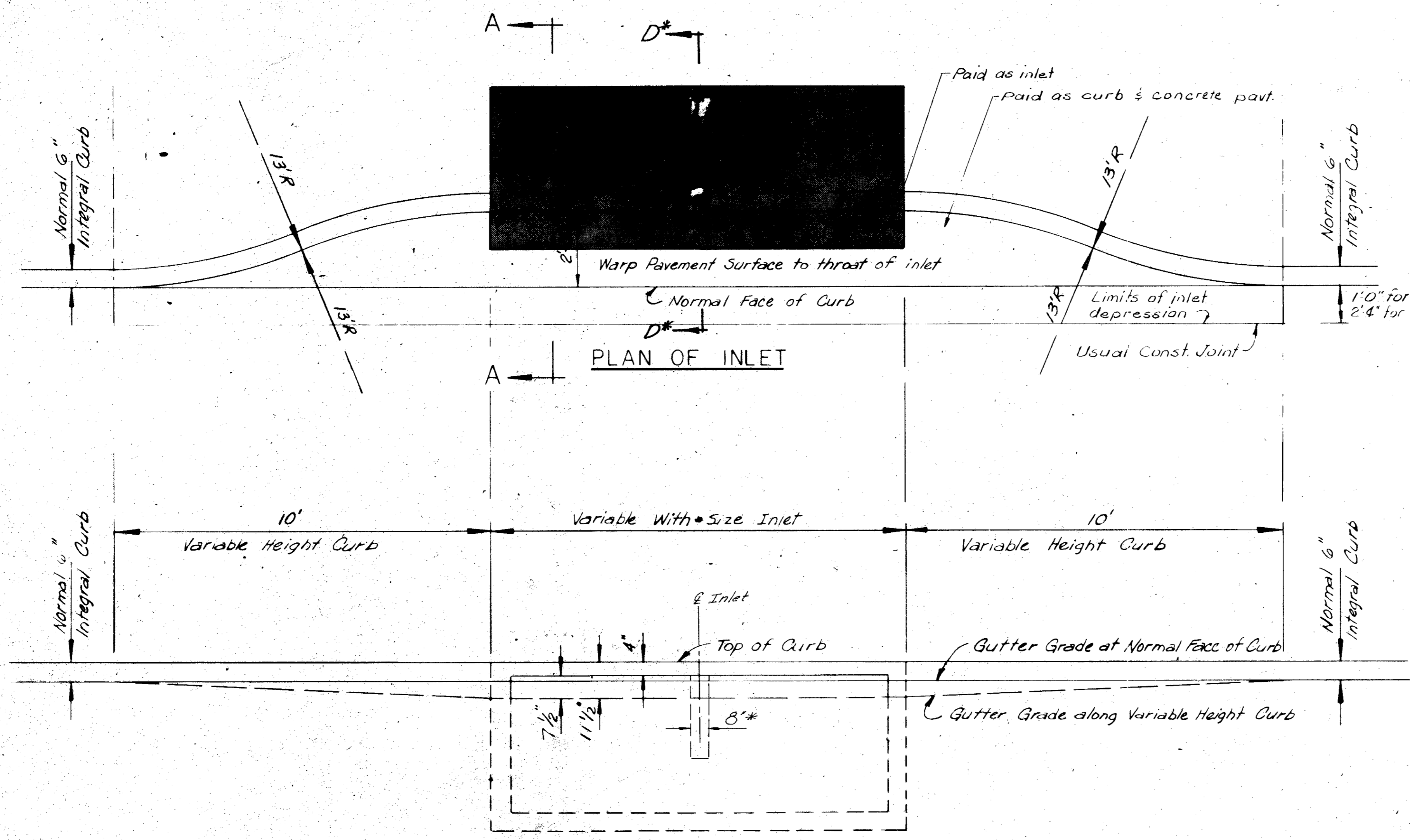
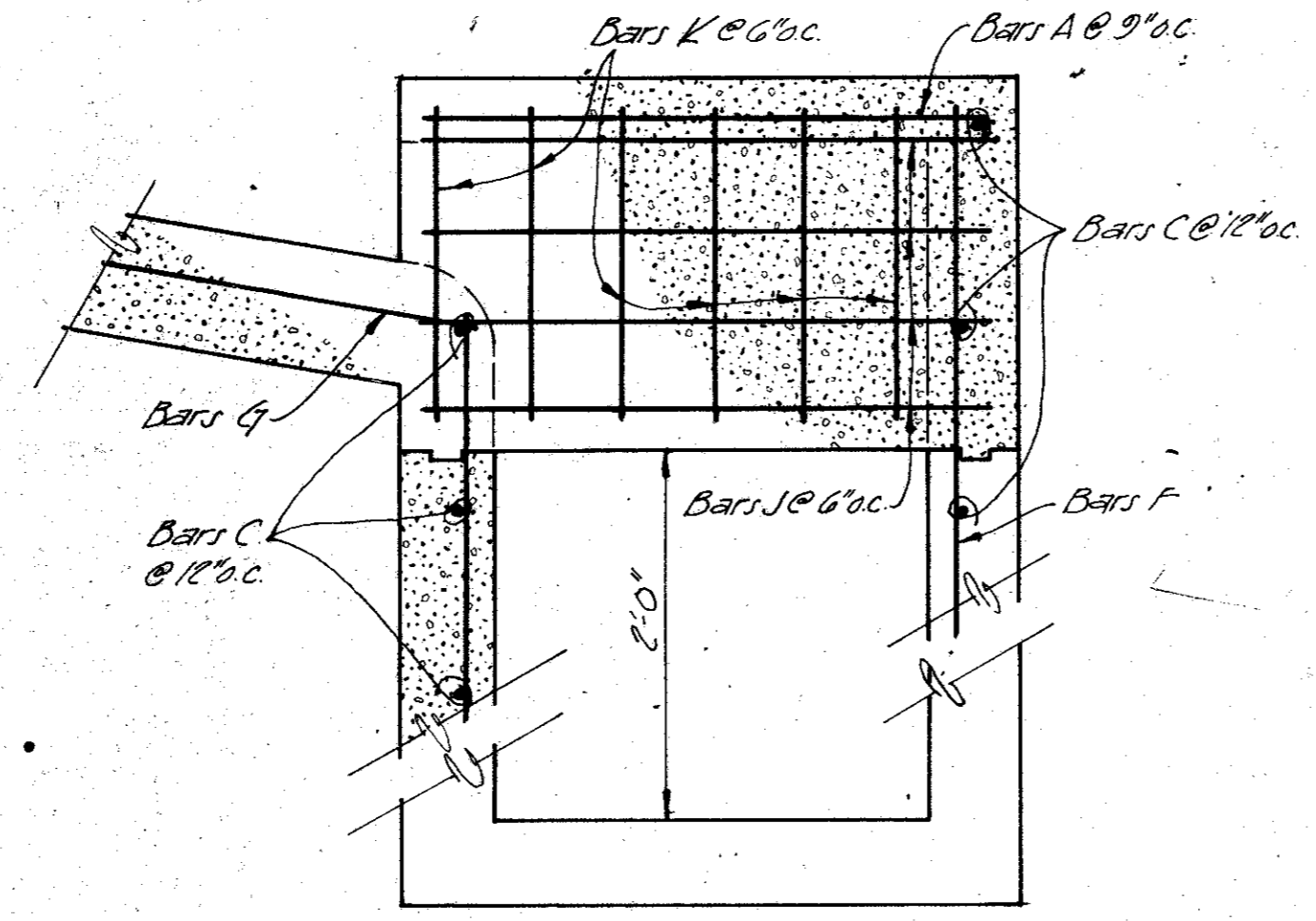
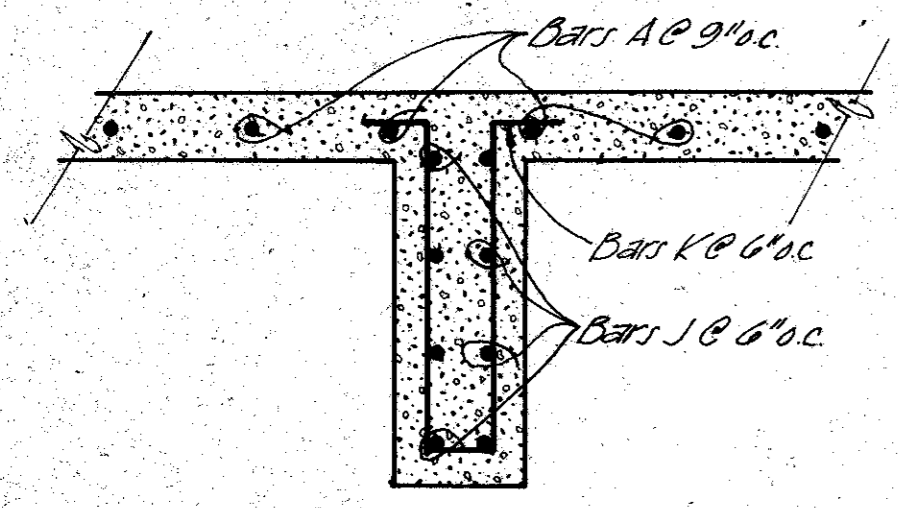
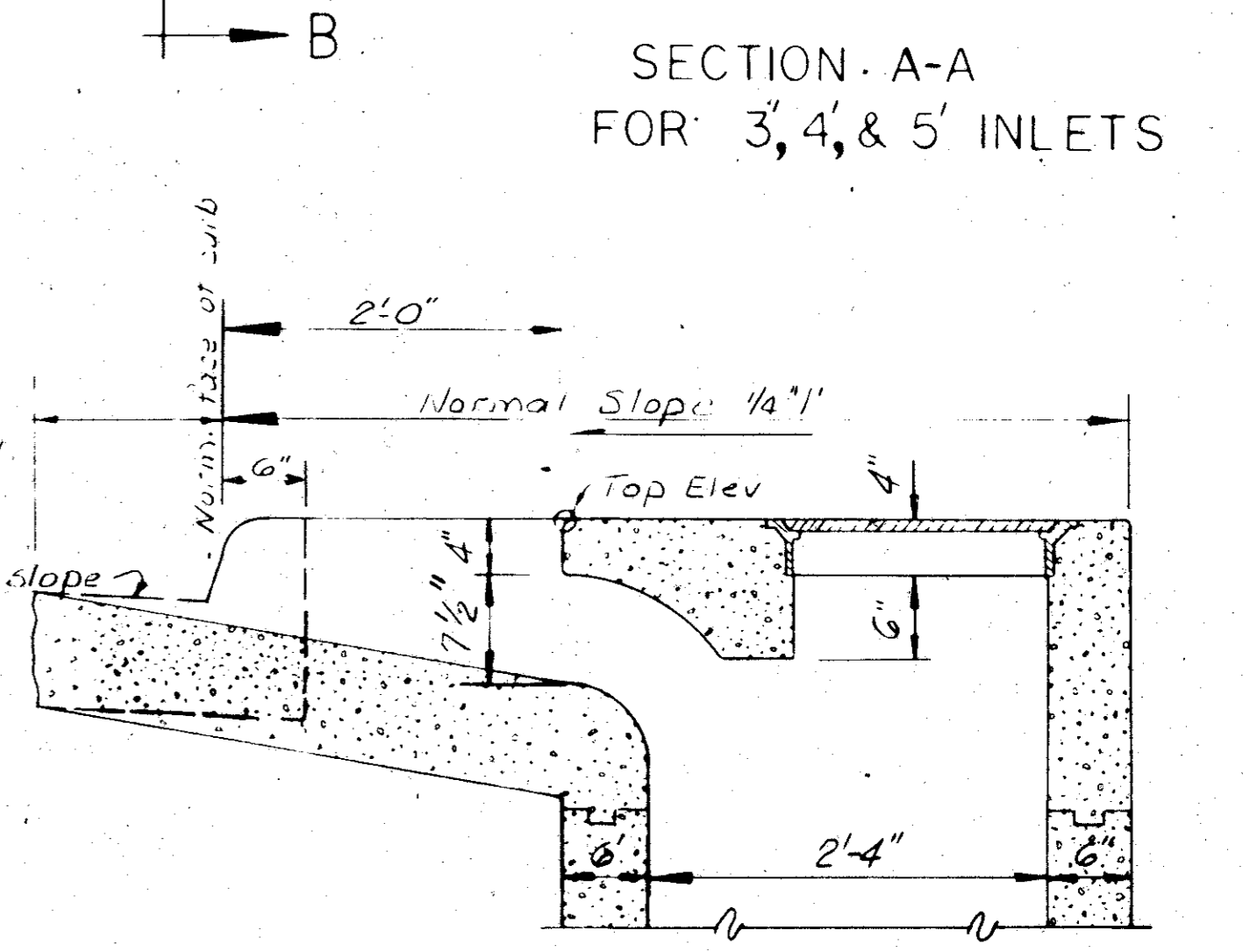
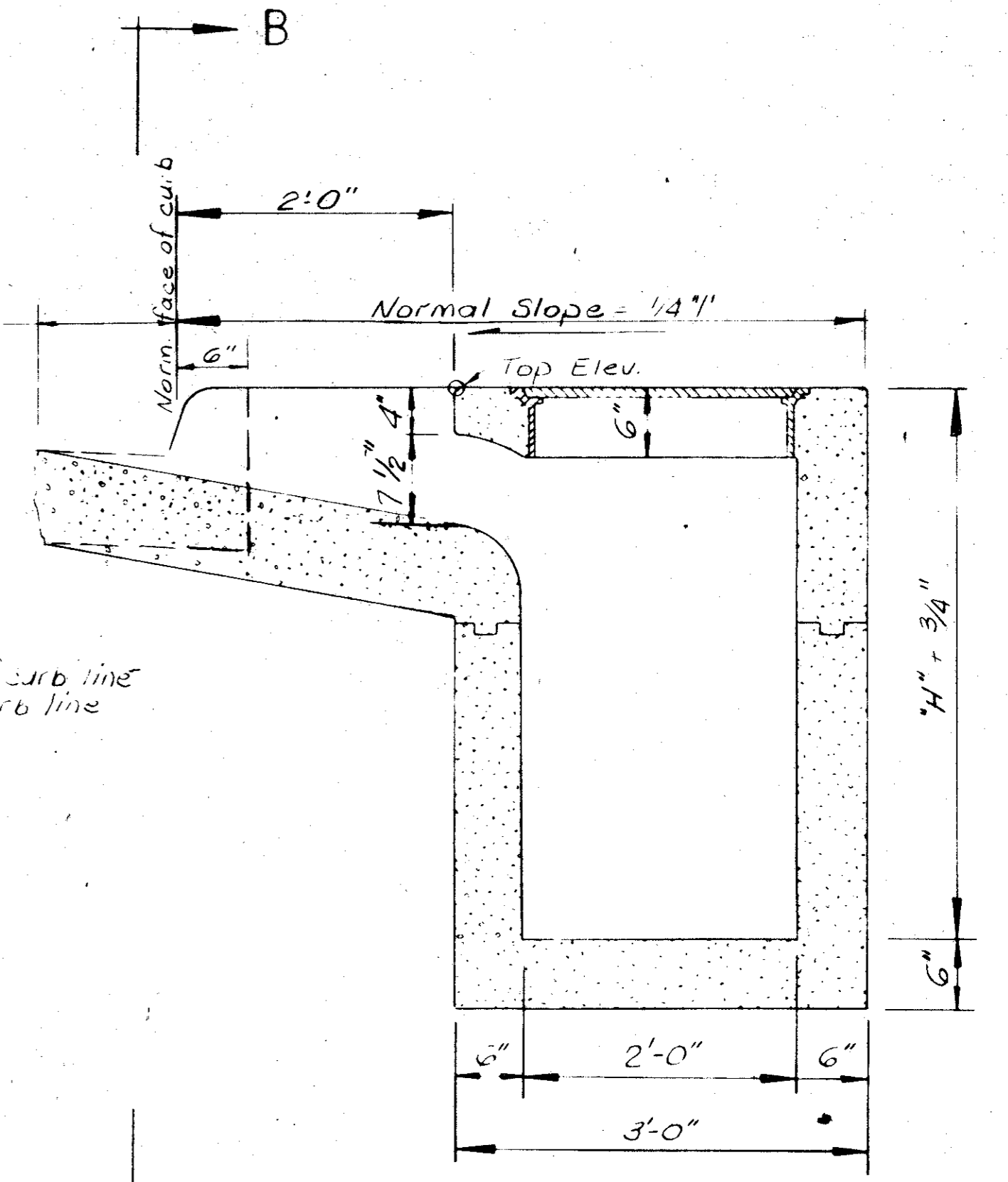


* Center Wall to be used in Inlets With Throat Widths Greater Than 10'



SECTION B-B



AS BUILTS 11-22-83

CITIES OF ADDISON AND FARMERS BRANCH, TEXAS		
MARSH LANE		
BROOKHAVEN CLUB DRIVE TO BELT LINE ROAD		
CURB INLET DETAILS		
6", 8", 10", & 20" CURB INLETS		
Turner Collier & Braden Inc.		
Unit - S.D.H.P.T.	Scale: Horiz. Vert.	Date FEB 1982
Designed	Checked	Job No. 6042-010 Contract
Drawn	Approved	Sheet 48 of 66