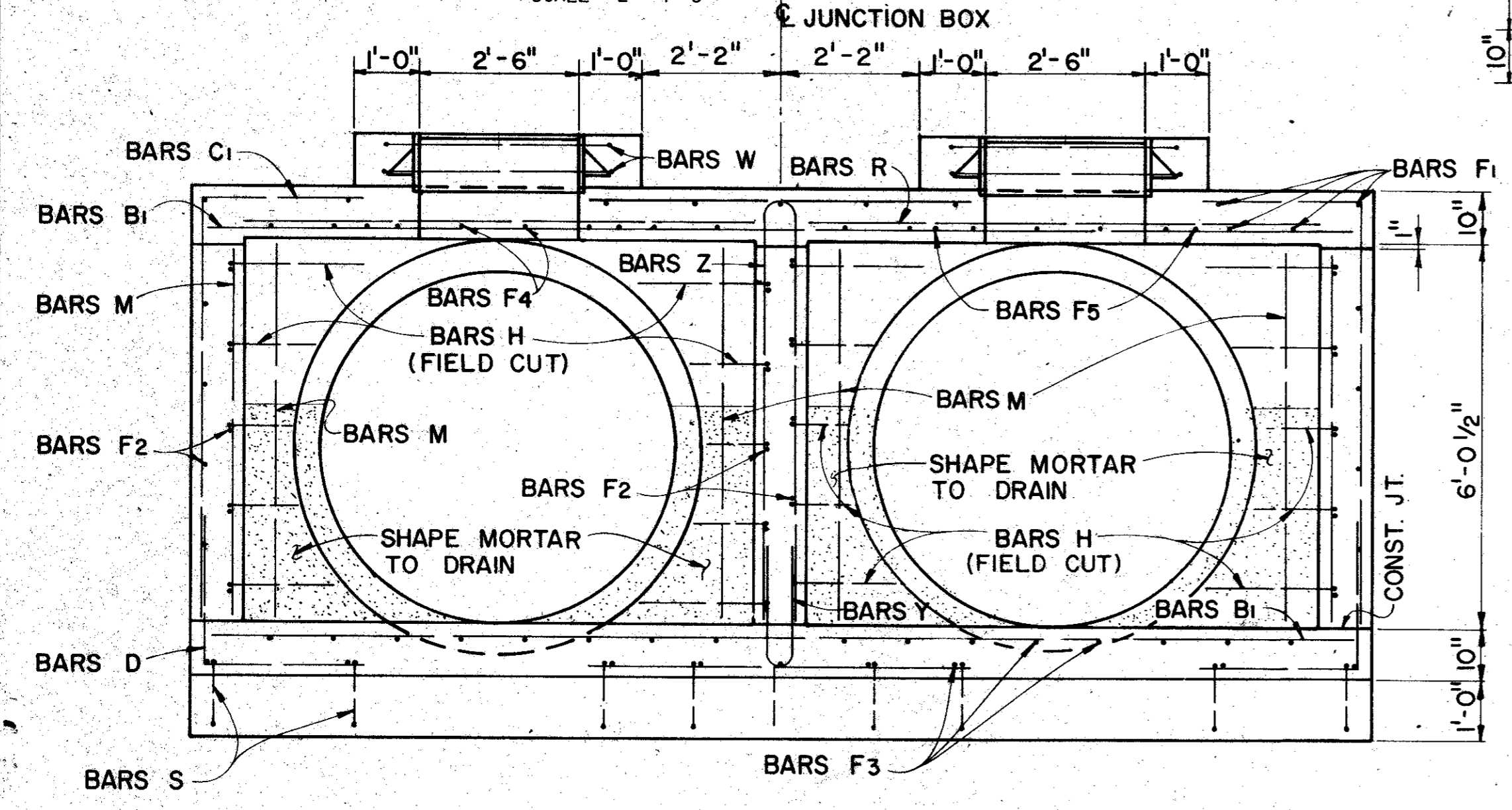
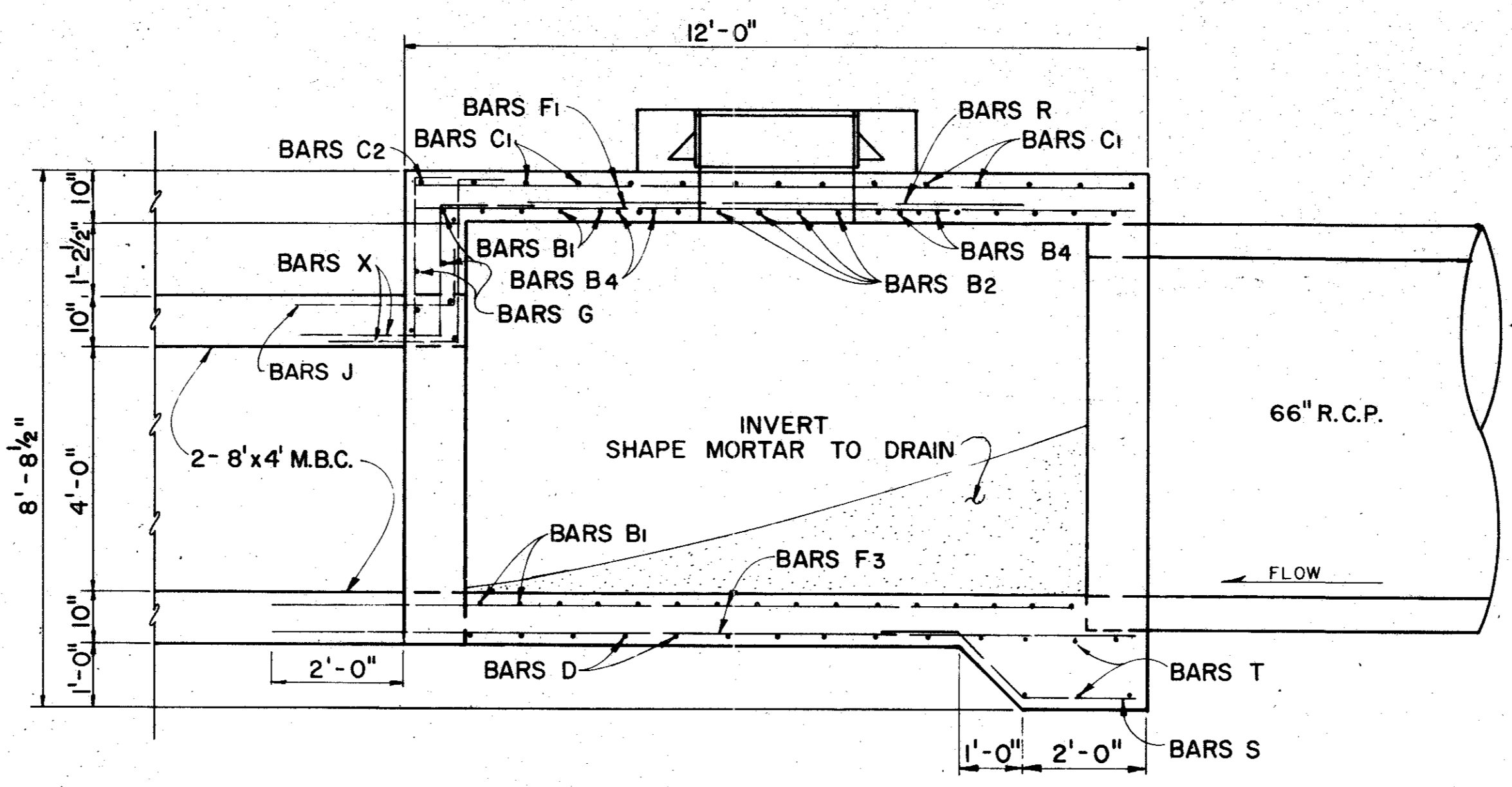


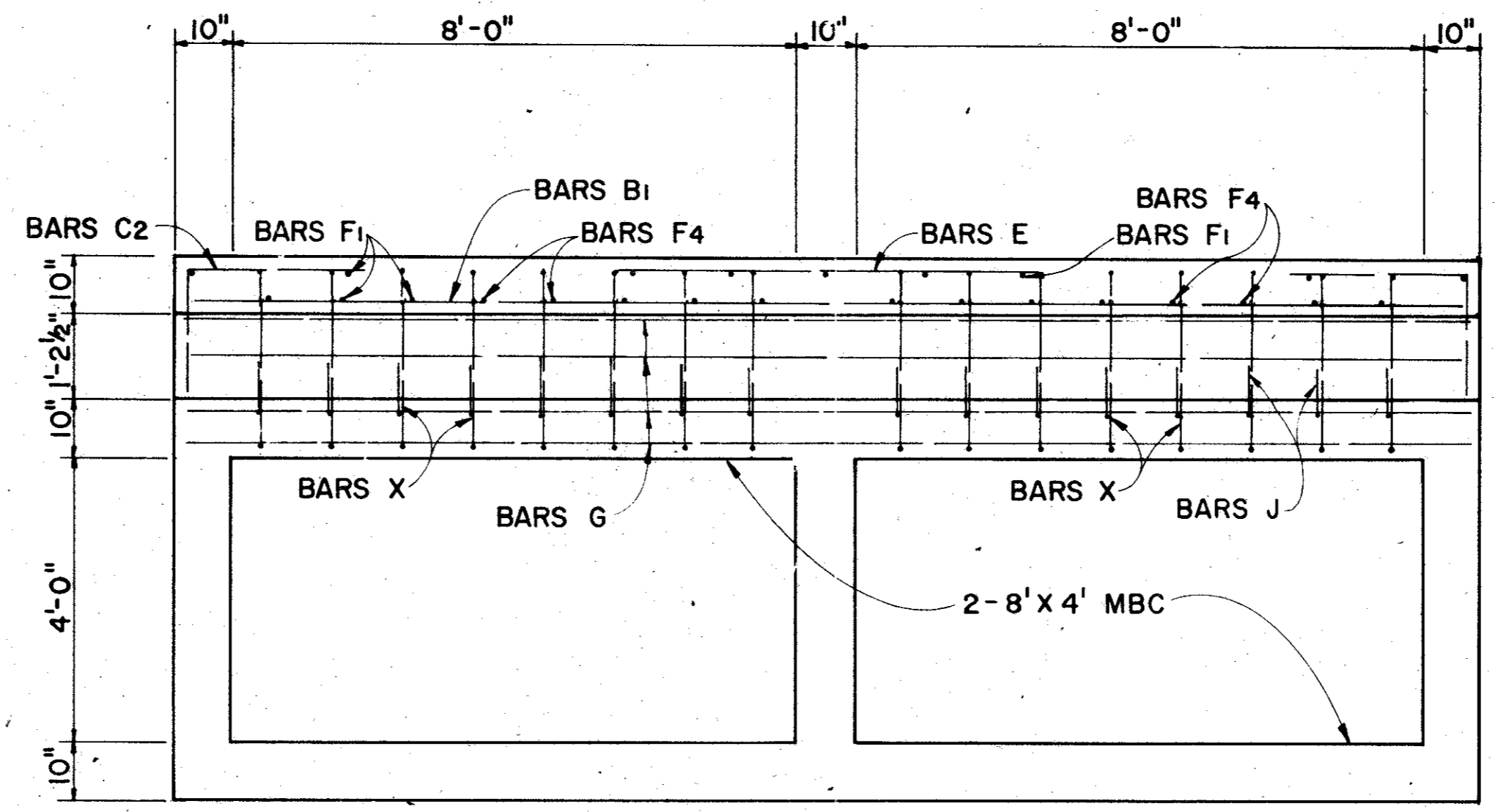
PLAN
SCALE: 1/2" = 1'-0"



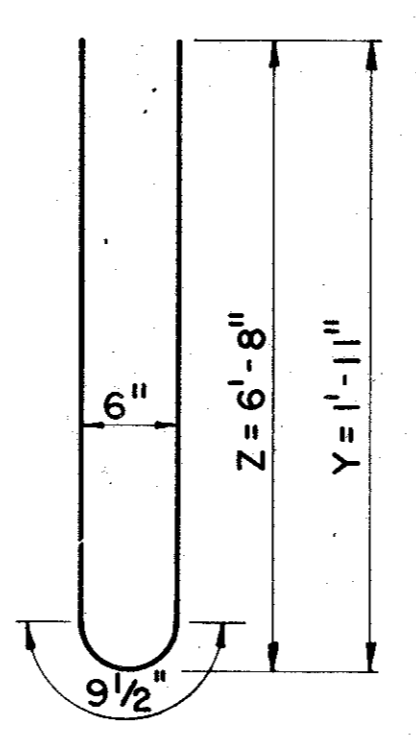
SECTION C-C
SCALE: 1/2" = 1'-0"



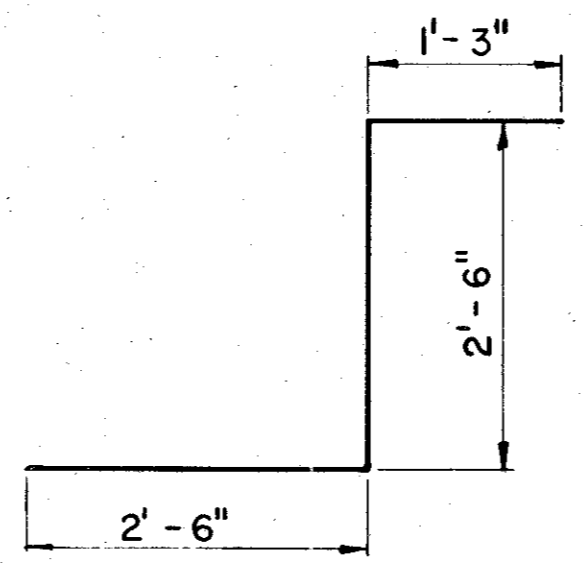
SECTION A-A
SCALE: 1/2" = 1'-0"



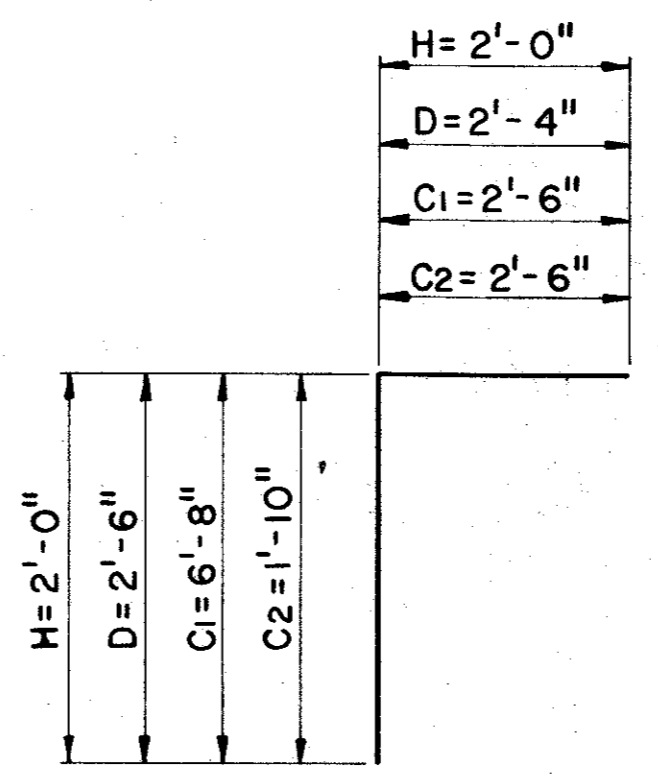
SECTION B-B
SCALE: 1/2" = 1'-0"



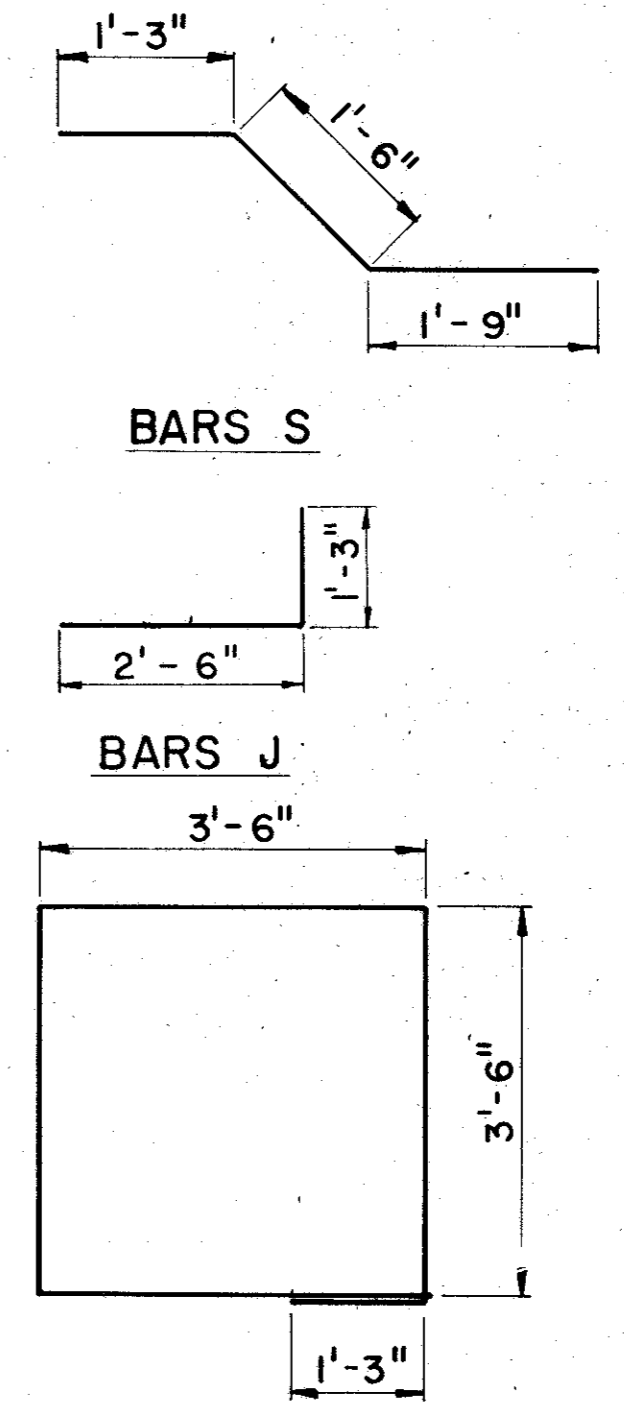
BARS Y & Z



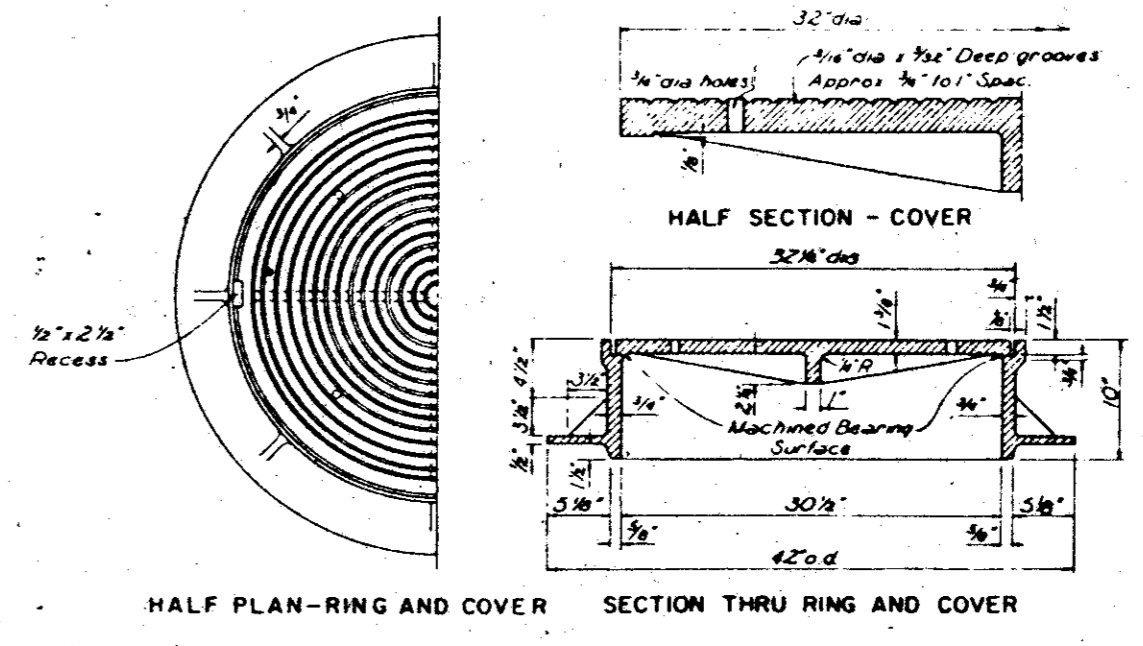
BARS X



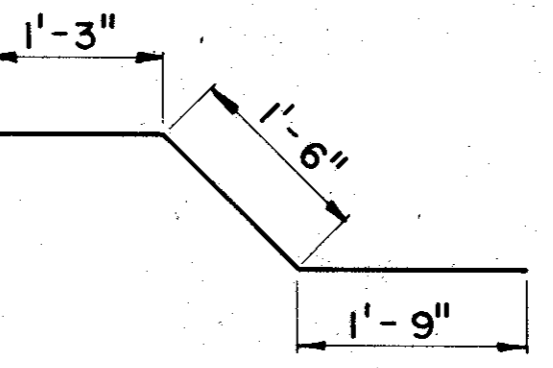
BARS C, D, & H



BARS W



HALF PLAN-RING AND COVER SECTION THRU RING AND COVER



BARS S

BILL OF REINFORCING STEEL

BAR	NO.	SIZE	SPACING	LENGTH	WEIGHT
B1	30	#5	7 1/2"	18'-3"	571
B2	8	#5	7 1/2"	3'-4"	28
B3	4	#5	7 1/2"	6'-1"	25
B4	8	#5	SHOWN	6'-0"	50
C1	28	#6	10"	9'-2"	385
C2	2	#6	SHOWN	4'-4"	13
D	28	#6	10"	4'-10"	203
E	34	#6	8"	6'-0"	306
F1	21	#5	SHOWN	11'-9"	257
F2	28	#5	SHOWN	11'-9"	343
F3	25	#5	SHOWN	13'-10"	363
F4	8	#5	SHOWN	4'-6"	38
F5	4	#5	SHOWN	6'-0"	25
G	1	#5	SHOWN	8'-3"	19
H	20	#5	SHOWN	4'-0"	83
M	20	#4	18"	5'-9"	77
R	16	#5	SHOWN	6'-6"	108
S	9	#5	SHOWN	4'-0"	42
T	7	#5	SHOWN	18'-3"	134
W	4	#5	SHOWN	15'-3"	64
X	16	#5	SHOWN	5'-1"	85
Y	11	#4	12"	4'-1"	30
Z	11	#4	12"	13'-7"	100
J	16	#5	SHOWN	3'-9"	63

ESTIMATED QUANTITIES

ITEM	UNIT	QUANTITY
REINFORCING STEEL	LB.	3,412
CL. A CONC. JUNCTION BOX	C.Y.	18.4

GENERAL NOTES:

DESIGN LOADING H20 OR HS20-44 IN ACCORDANCE WITH AASHTO 1977 STANDARD OF AND INTERUM SPECIFICATIONS

CONSTRUCTION JOINT SHOWN AT THE FLOW LINE MAY BE RAISED A MAXIMUM OF 6" AT THE CONTRACTORS OPTION. BARS M MAY BE CUT OFF OR RAISED, BARS Y & Z MAY BE REVERSED (Y ON TOP).

HORIZONTAL EARTH PRESSURE WAS ASSUMED TO BE 50 #/SF LIQUID PRESSURE EQUIVALENT.

CONCRETE SHALL BE CLASS "A" 3000psi AT 28 DAYS.

ALL REINFORCING STEEL BE GRADE 60

STRUCTURAL EXCAVATION INCLUDED IN 2-SPAN-8'x4' R.C. BOX CULVERT.

MANHOLE RING AND COVER SHALL BE INCIDENTAL TO ITEM 421.

4			
3			
2			
1			
NO.	DATE	REVISION	APPROV.

CITIES OF ADDISON AND FARMERS BRANCH, TEXAS

JUNCTION BOX DETAIL

2-66" RCP'S TO 2-8'x4"

Turner Collie & Braden Inc.
CONSULTING ENGINEERS

TEXAS: AUSTIN, DALLAS, EL PASO, HOUSTON, PORT ARTHUR, COLORADO: DENVER, GRAND JUNCTION

Unit: GALFIONE	Scale: AS NOTED	Date: FEBRUARY, 1982
Designed: WNL	Checked: JS	Job No: 6042-010 Contract
Drawn: WW/RP	Approved:	Sheet: 58 of 66