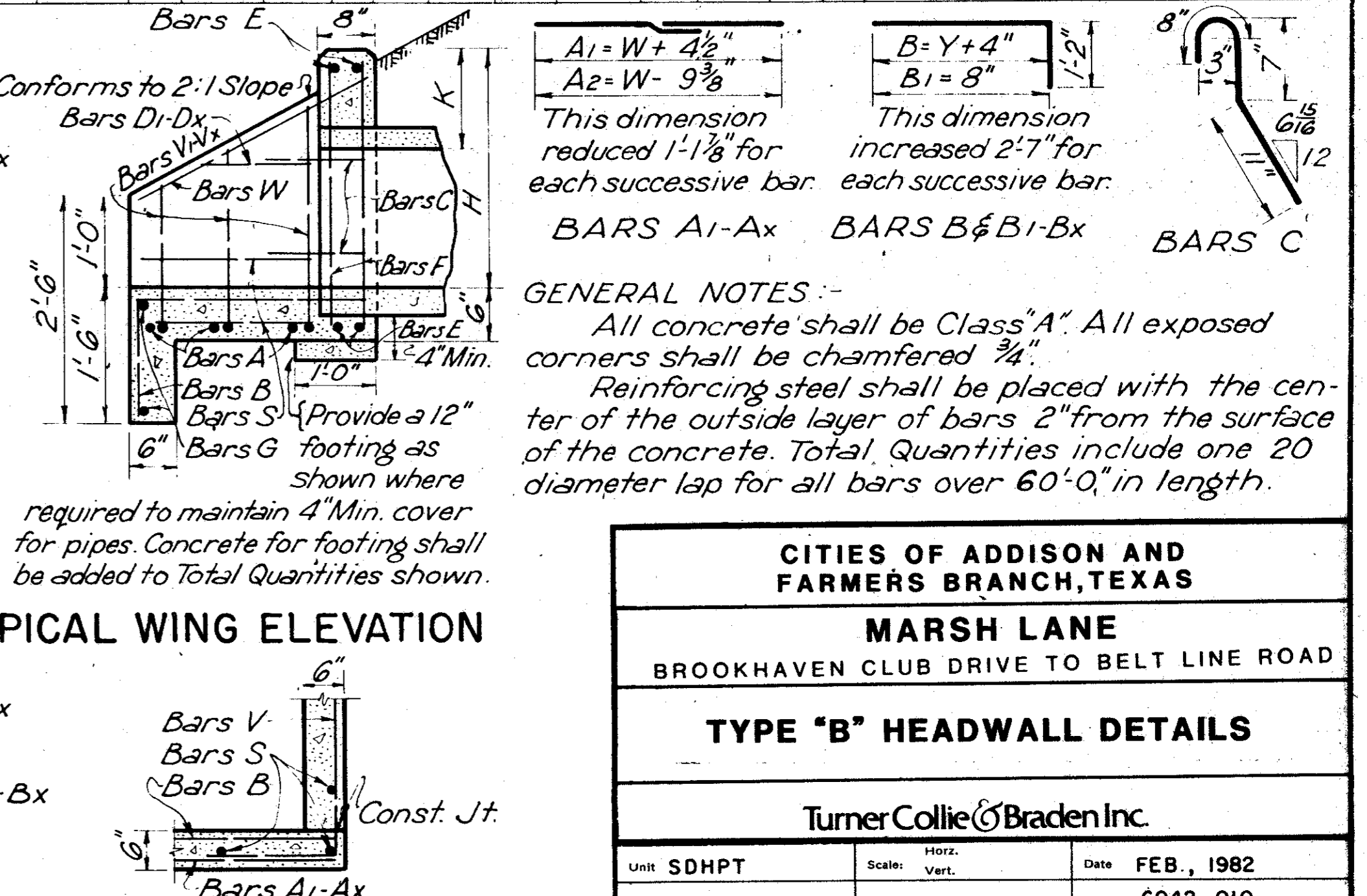
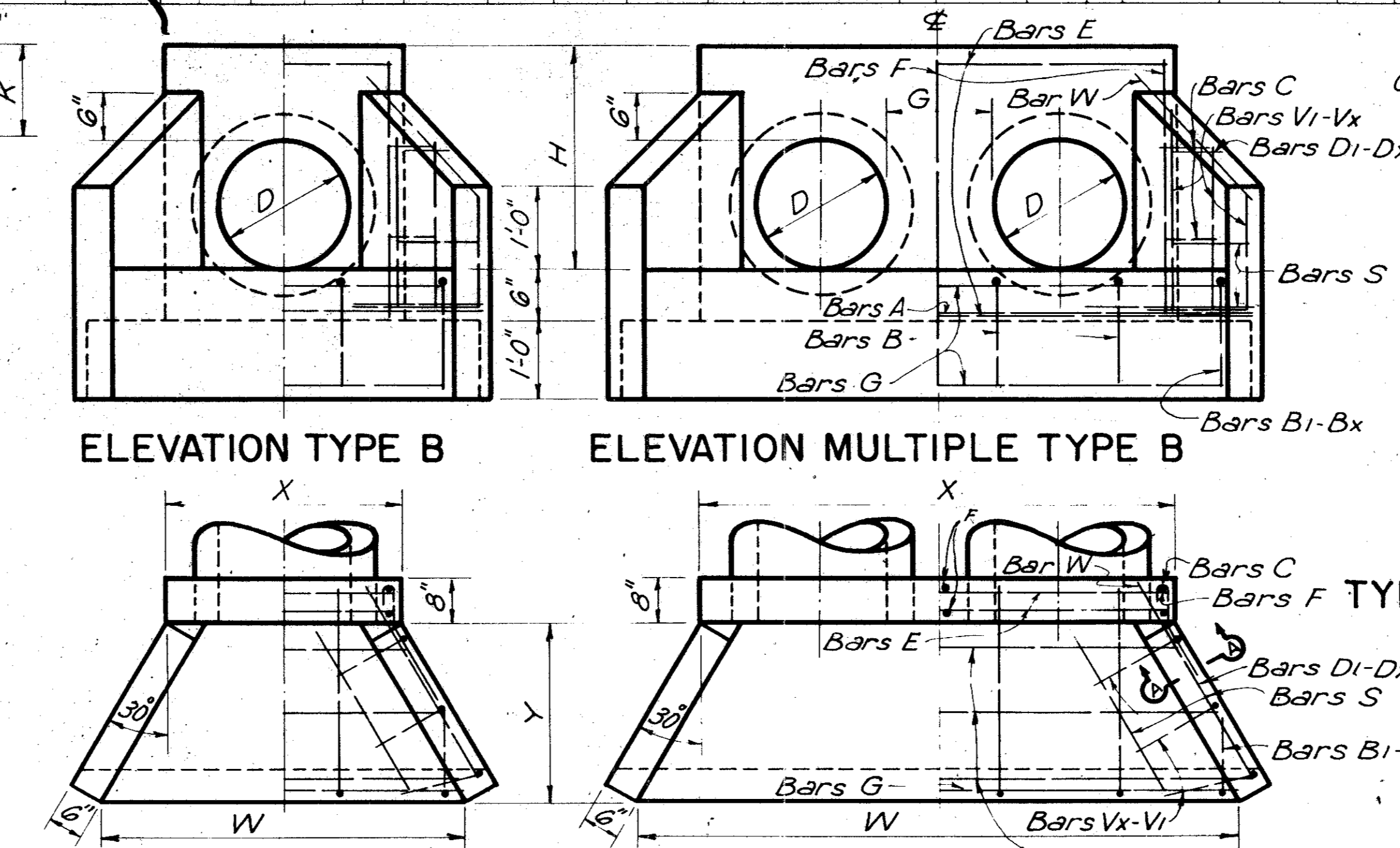
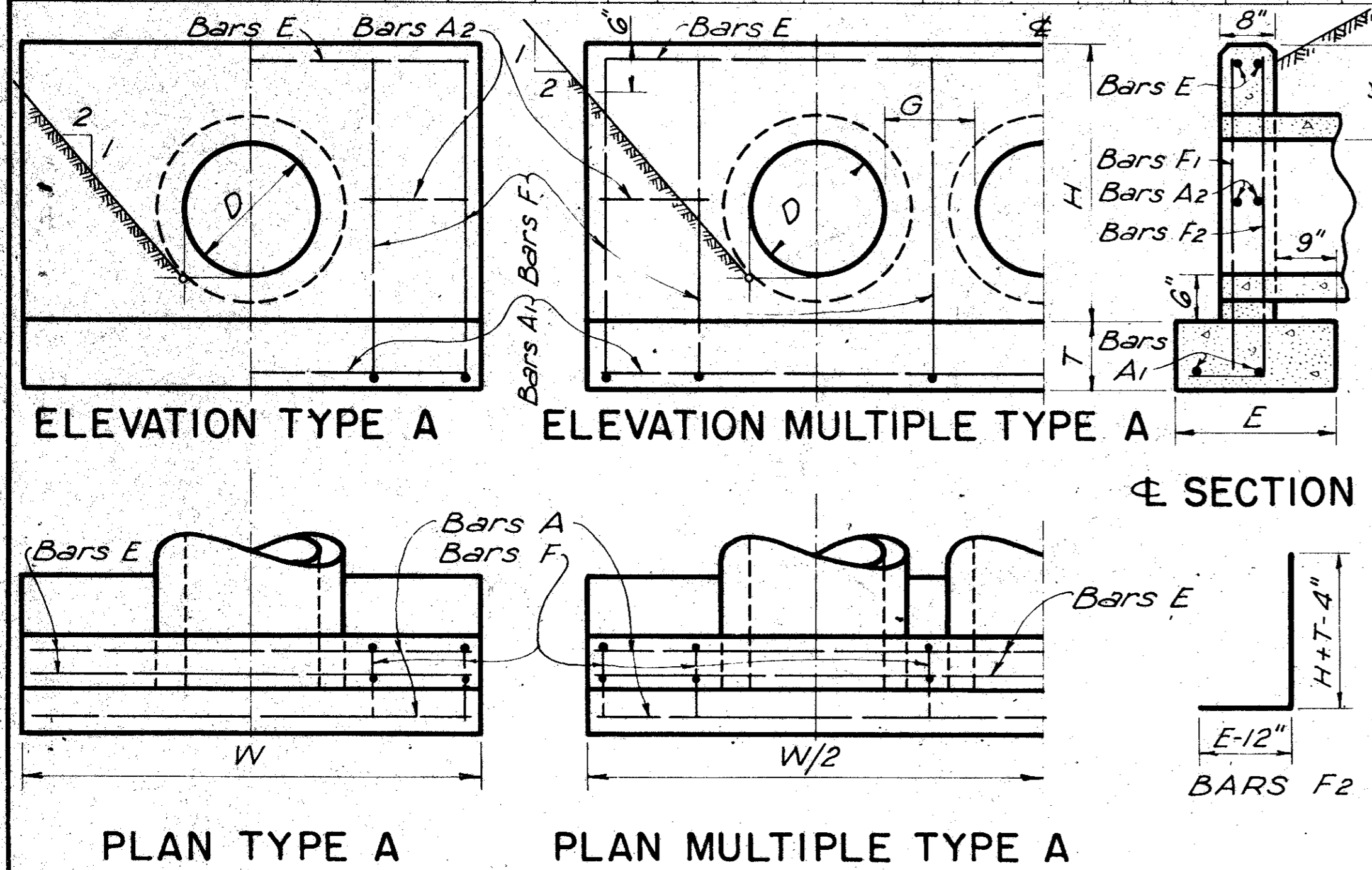


TABLE OF DIMENSIONS AND QUANTITIES FOR TWO TYPE A HEADWALLS

NO. OF PIPES	DIAM. OF PIPES	TABLE OF DIMENSIONS										REINFORCING STEEL AND QUANTITIES FOR TWO HEADWALLS				TOTAL QUANTITIES							
		TABLE OF DIMENSIONS					BARS A1-Ax		BARS B		BARS C		BARS D		LBS.	C.Y.							
		G	K	T	E	H	W	4-#3	#3@18"	4-#3	#3@18"	4-#3	#3@18"	4-#3			#3@18"						
1	12"	12"	9"	1'-9"	2'-6"	7'-0"	6'-8"	10	8	2'-6"	8	6'-8"	28	12	4	2'-11"	23	12	4	3'-8"	29	88	1.48

TABLE OF DIMENSIONS AND QUANTITIES FOR TWO TYPE B HEADWALLS

NO. OF PIPES	DIAM. OF PIPES	TABLE OF DIMENSIONS										REINFORCING STEEL AND QUANTITIES FOR TWO HEADWALLS										TOTAL QUANTITIES										
		TABLE OF DIMENSIONS					BARS A1-Ax		BARS B		BARS B1-Bx		BARS C		BARS D		BARS E		BARS F		BARS G		BARS S		BARS V1-Vx		BARS W		LBS.	C.Y.		
		G	K	X	H	Y	W	4-#3	#3@18"	4-#3	#3@18"	4-#3	#3@18"	4-#3	#3@18"	4-#3	#3@18"	4-#3	#3@18"	4-#3	#3@18"	4-#3	#3@18"	4-#3	#3@18"	4-#3	#3@18"	4-#3			#3@18"	
1	12"	12"	10"	2'-4"	2'-0"	1'-0"	2'-4"	2	2'-8"	4	6	2'-6"	6	4	5	2'-0"	17	8	4	2'-2"	12	2'-8"	4	8"	5	4	2'-11"	8	1'-8"	7	68	.52



**GENERAL NOTES:**  
 All concrete shall be Class "A". All exposed corners shall be chamfered 3/4".  
 Reinforcing steel shall be placed with the center of the outside layer of bars 2" from the surface of the concrete. Total Quantities include one 20 diameter lap for all bars over 60'-0" in length.

**CITIES OF ADDISON AND FARMERS BRANCH, TEXAS**  
**MARSH LANE**  
 BROOKHAVEN CLUB DRIVE TO BELT LINE ROAD

**TYPE "B" HEADWALL DETAILS**

Turner Collier & Braden Inc.

Unit	SDHPT	Scale:	Horz. Vert.	Date	FEB., 1982
Designed		Checked		Job No.	6042-010 Contract
Drawn		Approved		Sheet	62 of 66

PLAN  
 DATE: \_\_\_\_\_  
 SURVEYED BY: \_\_\_\_\_  
 PLOTTED BY: \_\_\_\_\_  
 CHECKED BY: \_\_\_\_\_  
 NO. \_\_\_\_\_  
 TITLE: \_\_\_\_\_

\*Concrete Quantities increase slightly for metal pipe installations.