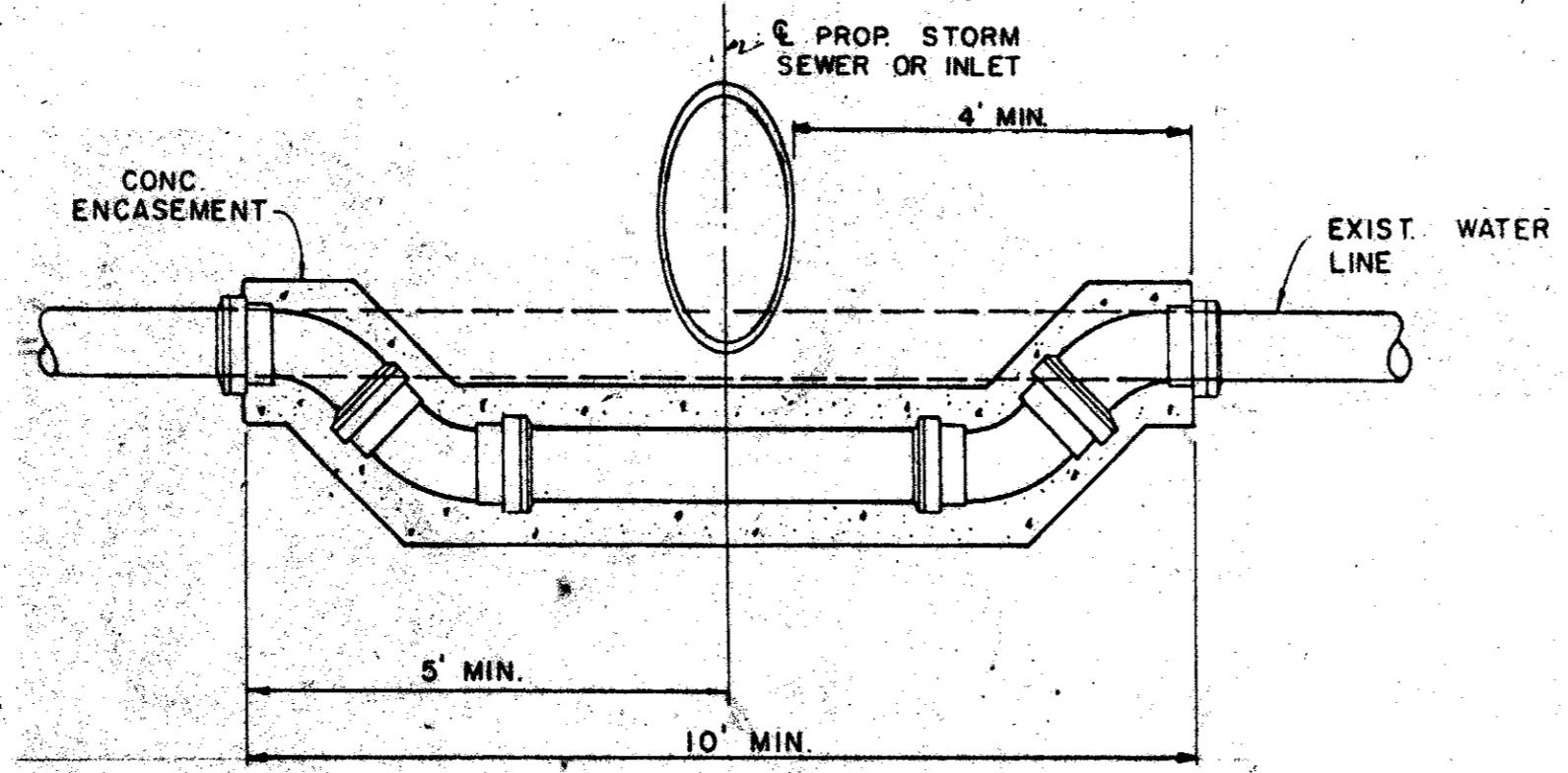
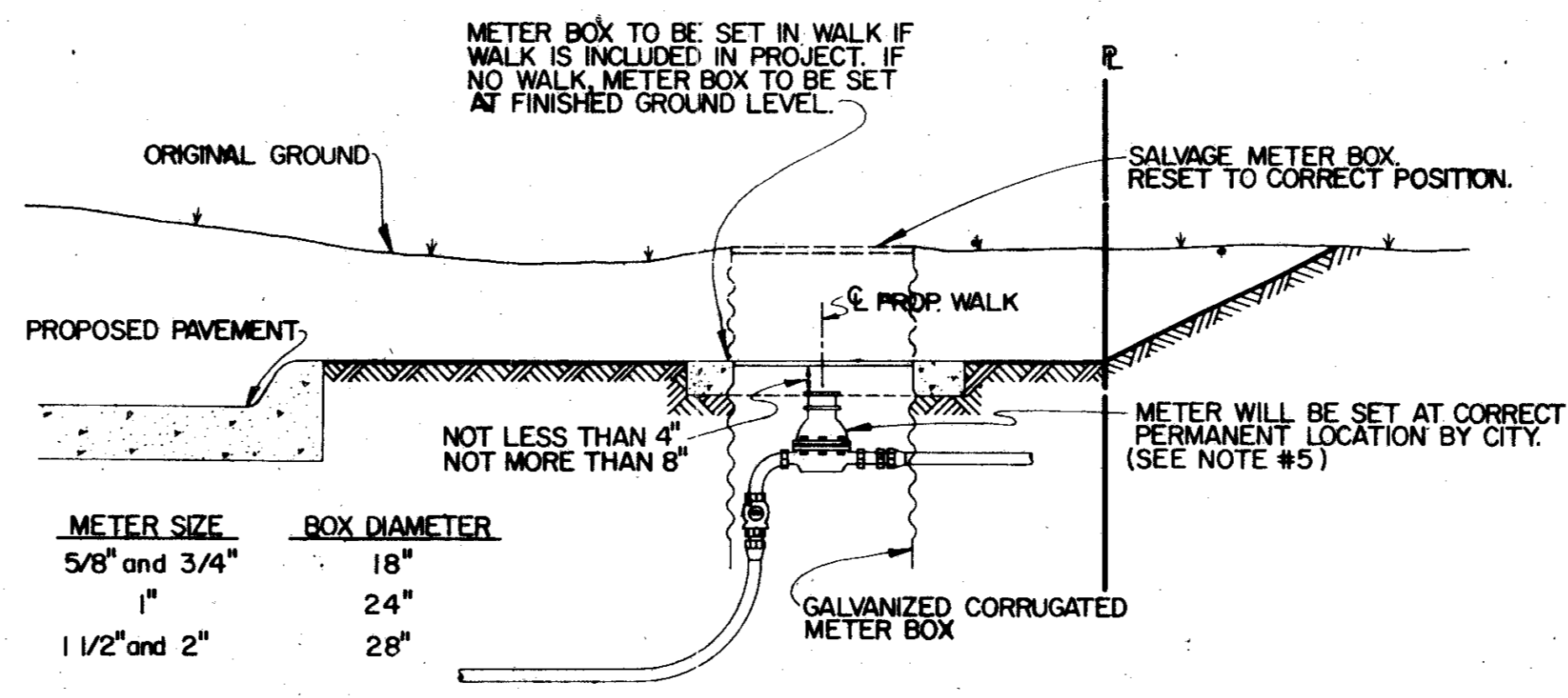


SANITARY SEWER LATERAL CLEANOUT
NO SCALE

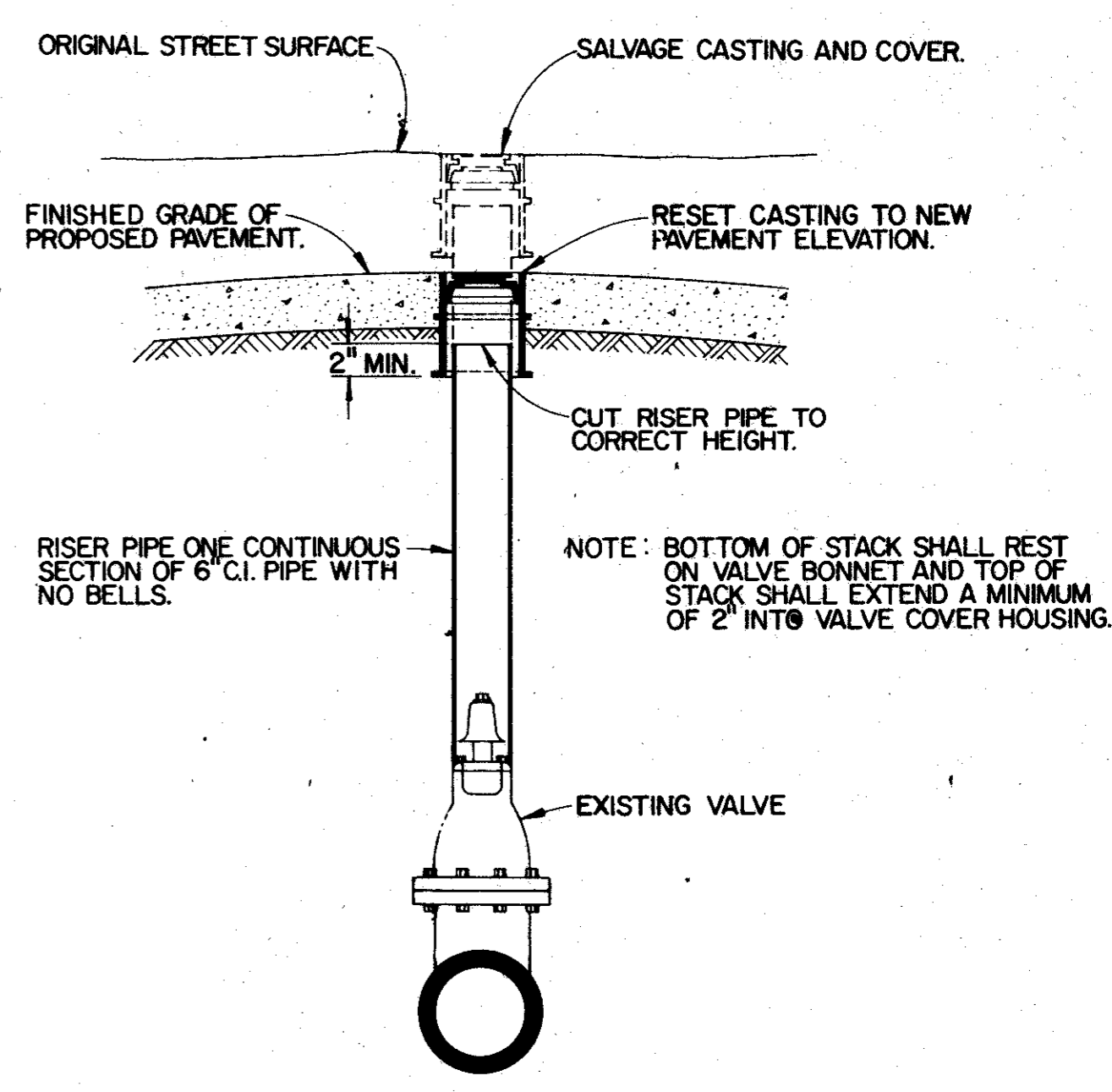
- NOTE:
1. Install four 45° bends (unless otherwise directed by Engineer) and length of pipe necessary to achieve minimum clearance.
 2. Adjustment will be paid for in accordance with appropriate bid item for linear feet of water main of the size required, complete in place. Water main fittings (lbs.), concrete encasement (2000 psi/C.Y.) and all other costs shall be subsidiary.
 3. Payment shall be for relocation of the existing water line, complete in place, and ready to operate, test and sterilize.



TYPICAL WATER MAIN ADJUSTMENT
FOR 6" OR 8" NTS.



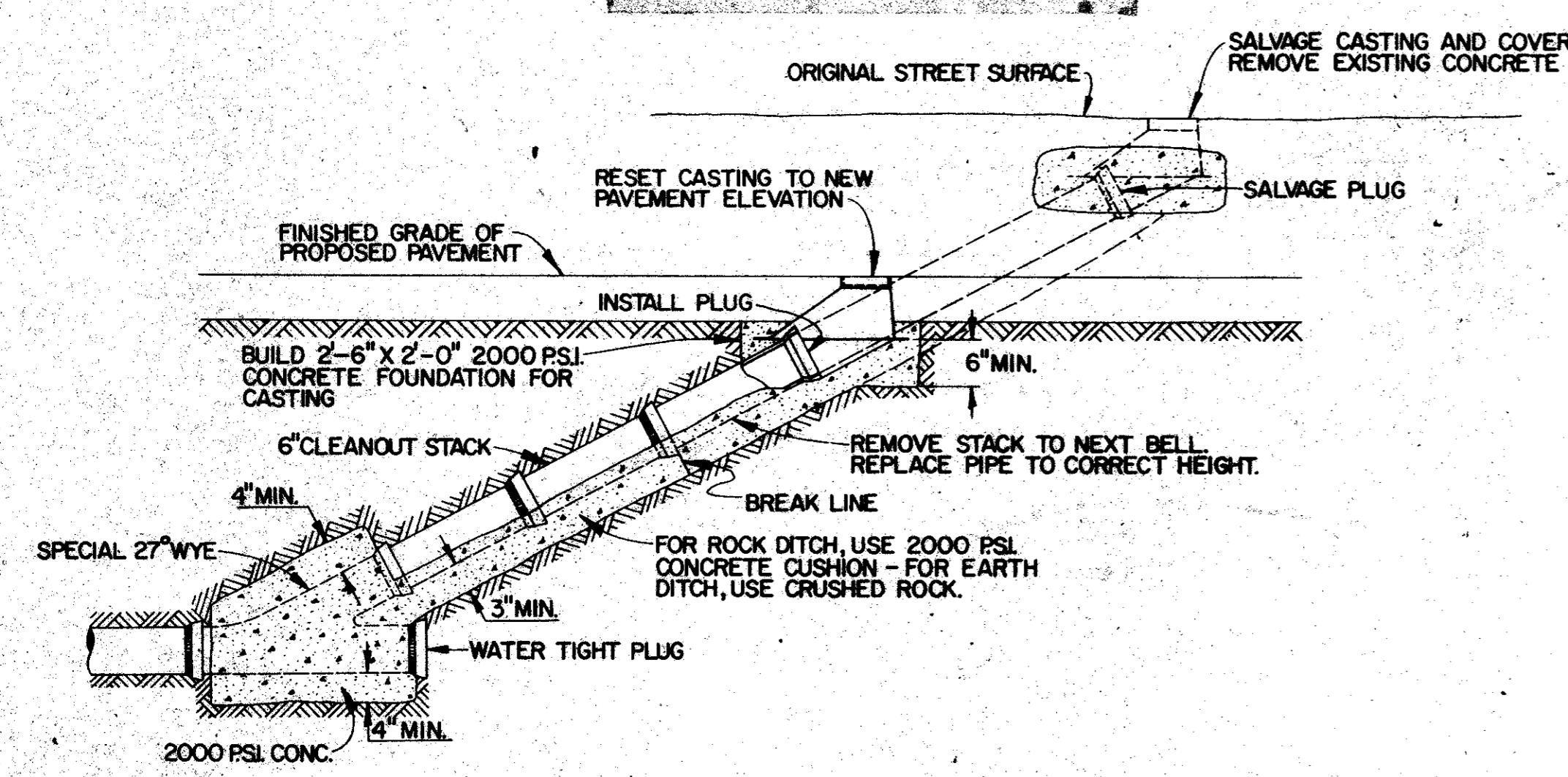
METER BOX
NO SCALE



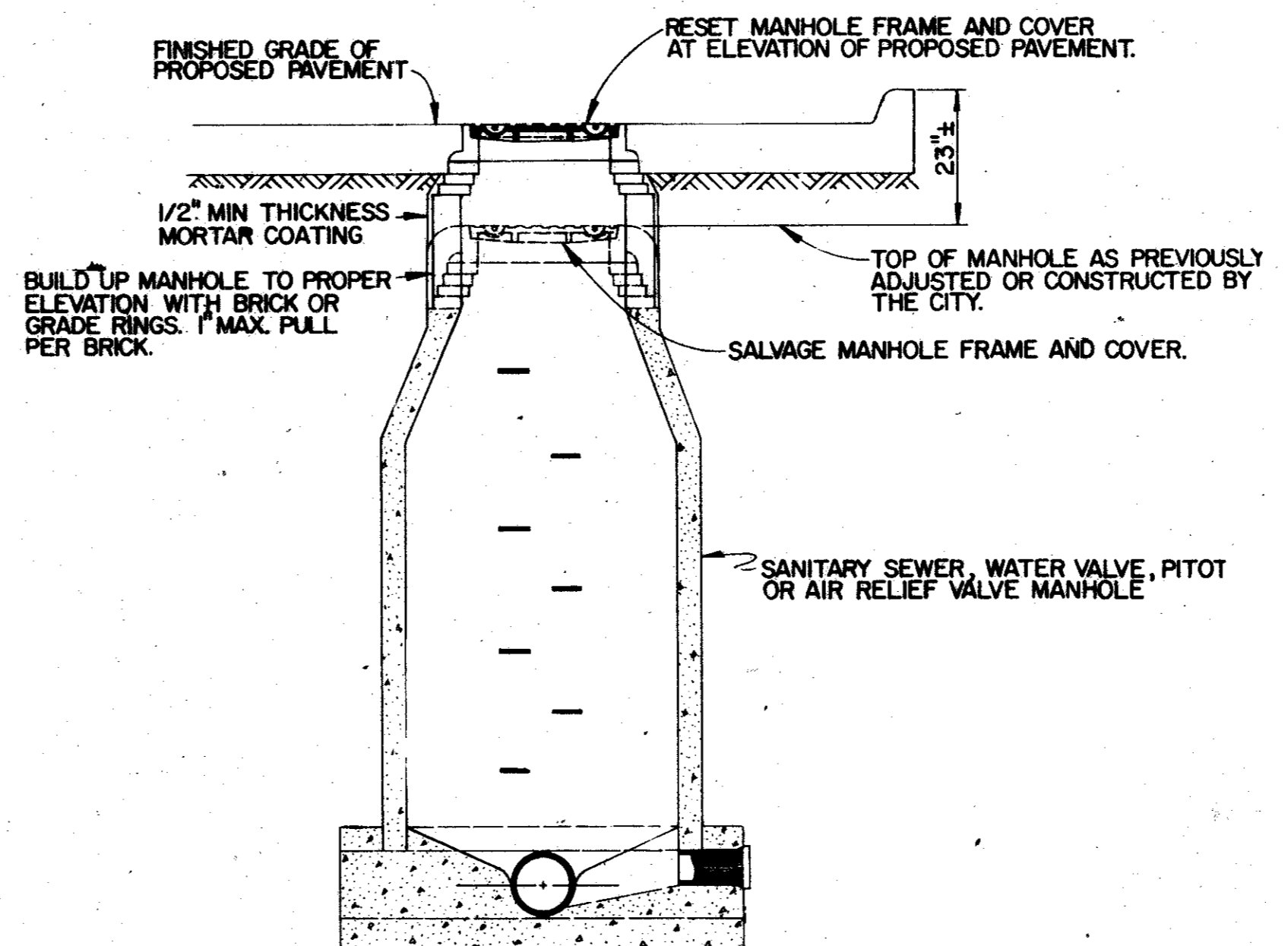
VALVE COVER AND RISER PIPE
NO SCALE

NOTES

1. SANITARY SEWERS MUST BE KEPT CLEAR OF BROKEN CONCRETE, DIRT OR ANY OTHER DEBRIS RESULTING FROM CONSTRUCTION OPERATIONS.
2. PIPE TO BE EXTENDED OR REPLACED WILL BE OF THE SAME TYPE AS THE EXISTING UNLESS ALTERNATE TYPE IS APPROVED BY THE ENGINEER.
3. CASTINGS, COVERS OR ANY OTHER MATERIAL PARTS WHICH MAY BE DAMAGED OR LOST BY THE CONTRACTOR'S OPERATIONS WILL BE REPLACED AT THE CONTRACTOR'S EXPENSE WITH CITY STANDARD APPURTENANCES.
4. THE ADJUSTED FACILITIES MUST BE CLEAN, FULLY OPERATIONAL AND EQUAL IN QUALITY WITH NEW CONSTRUCTION AT THE TIME OF FINAL INSPECTION OF THE PROJECT.



SANITARY SEWER MAINLINE CLEANOUT
NO SCALE



STANDARD BRICK OR PRE-CAST MANHOLE
NO SCALE

CITIES OF ADDISON AND FARMERS BRANCH, TEXAS
MARSH LANE
BROOKHAVEN CLUB DRIVE TO BELT LINE ROAD
UTILITY ADJUSTMENT DETAILS
Turner Collier & Braden Inc.
Unit CITY OF DALLAS Scale: Horiz. Vert. Date FEB., 1982
Designed Checked Job No. 6042-010 Contract
Drawn Approved Sheet 63 of 66