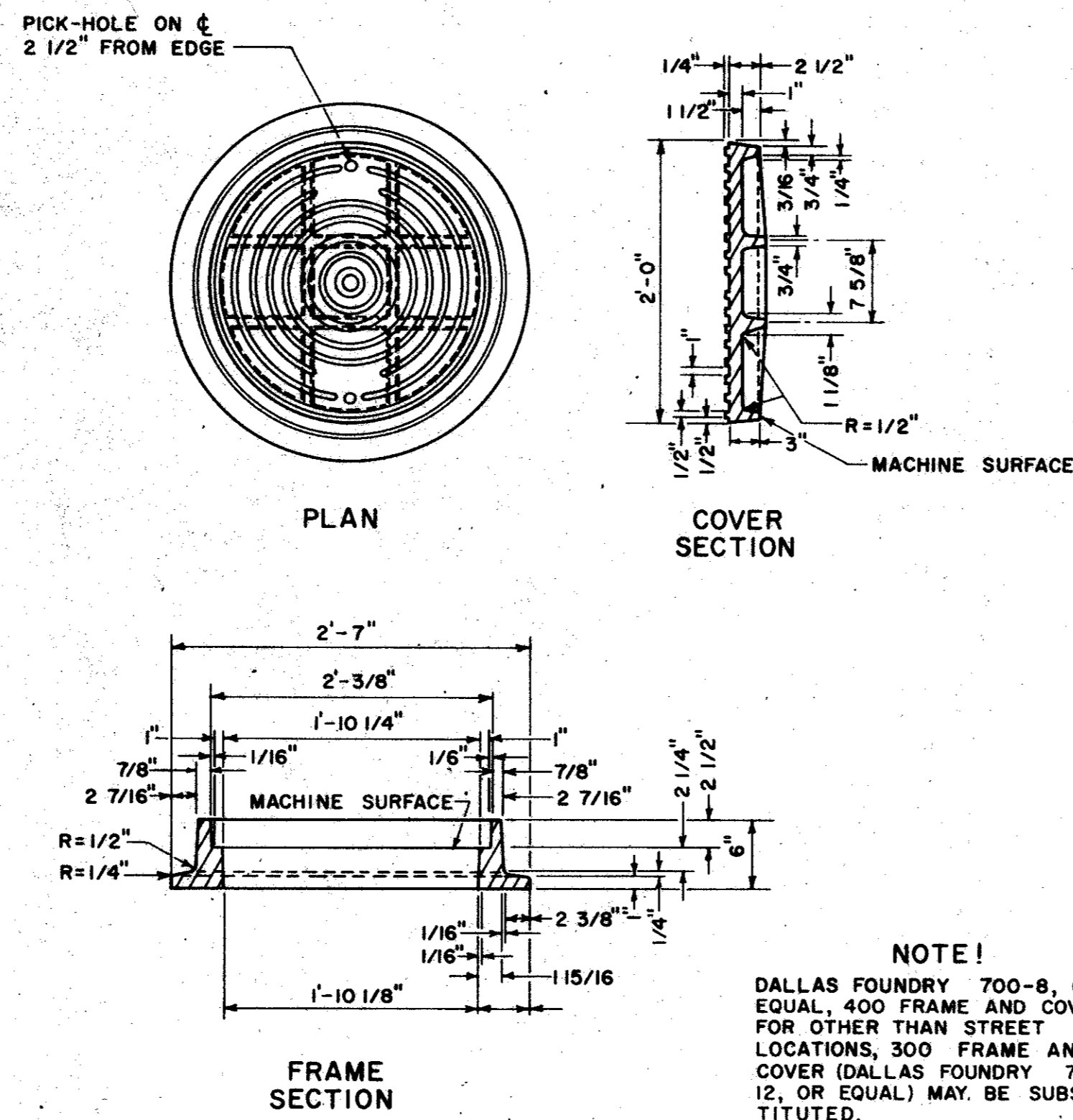
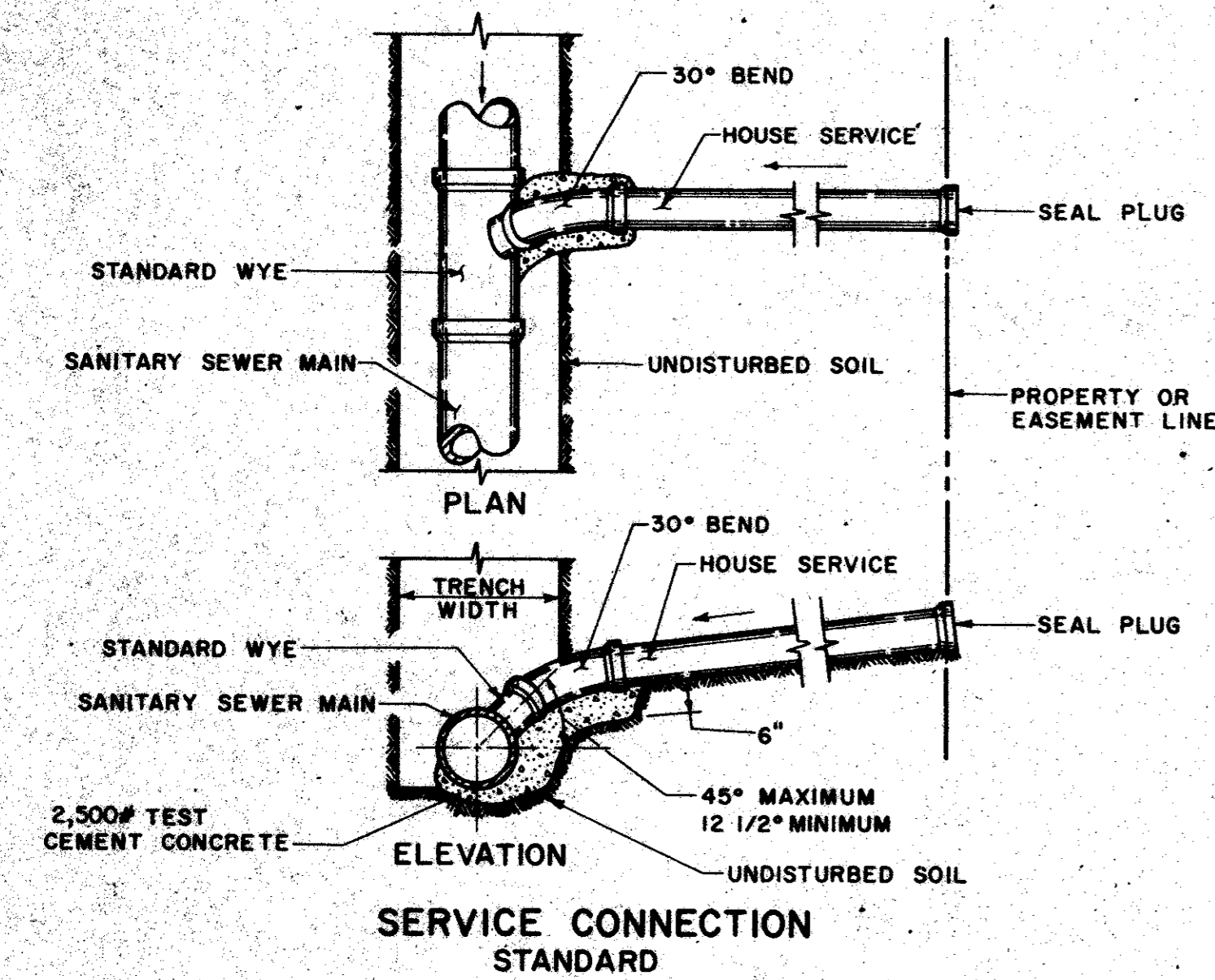


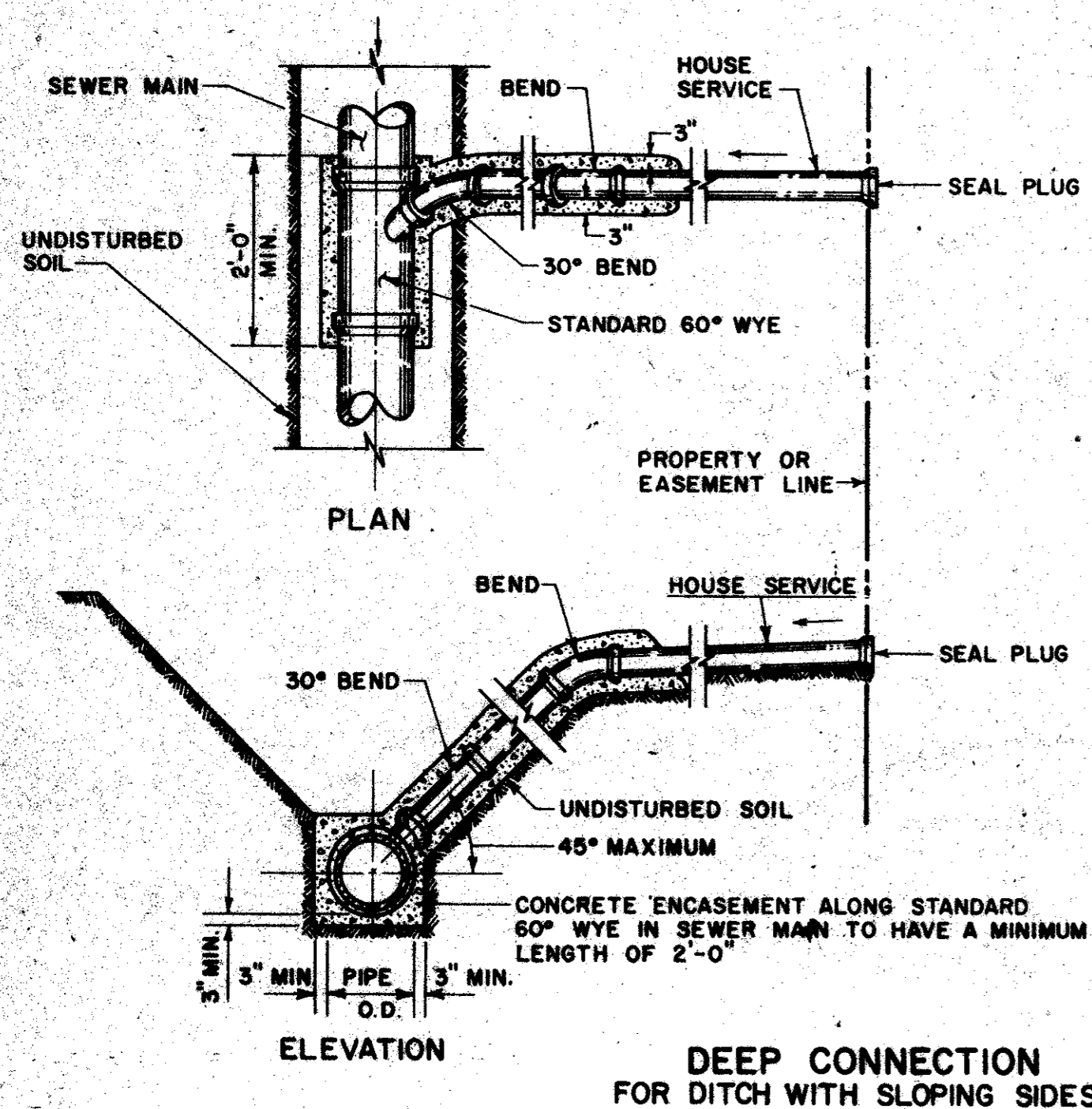
DEEP CONNECTION
STACK TYPE



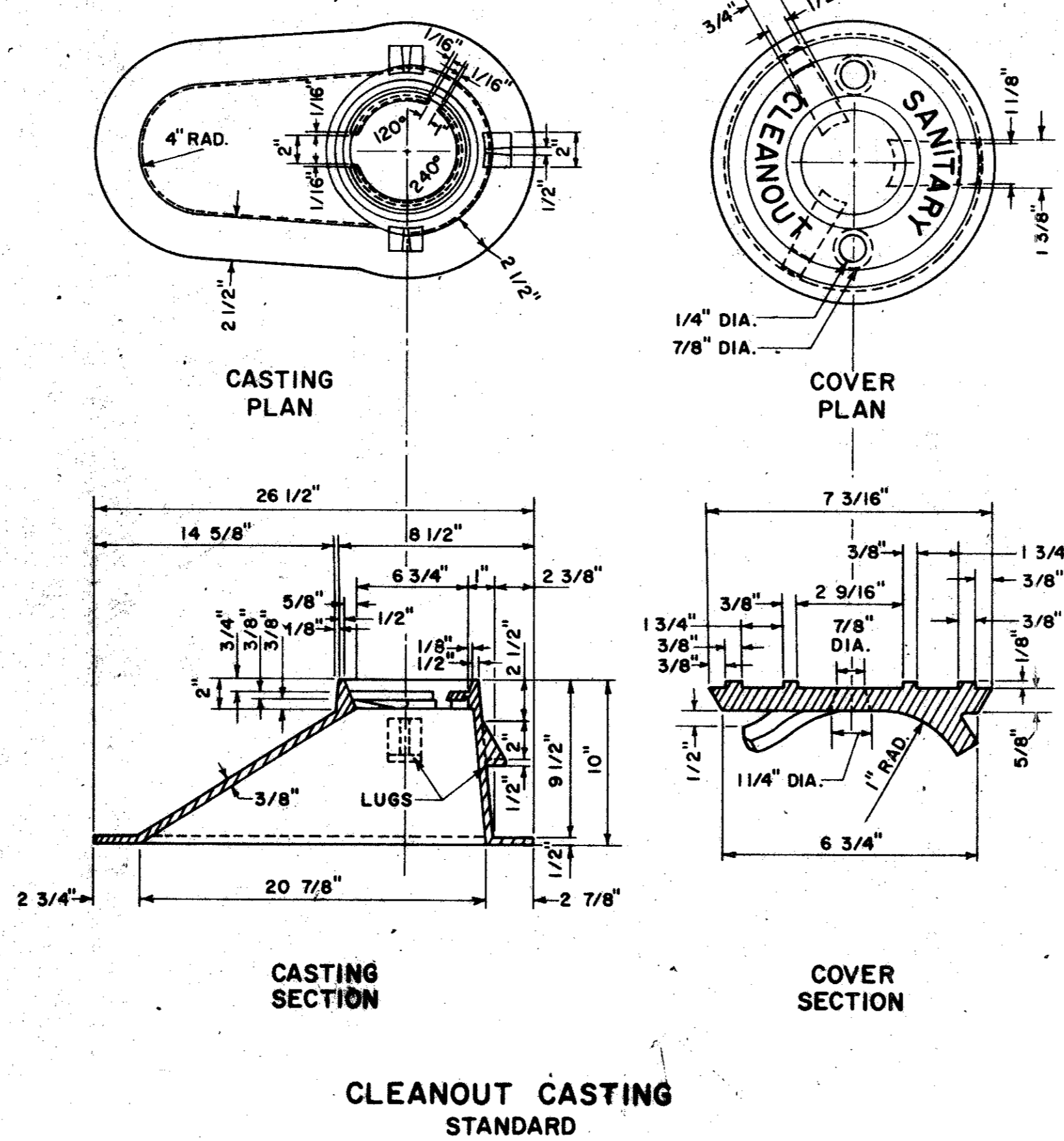
MANHOLE COVER AND FRAME
STANDARD



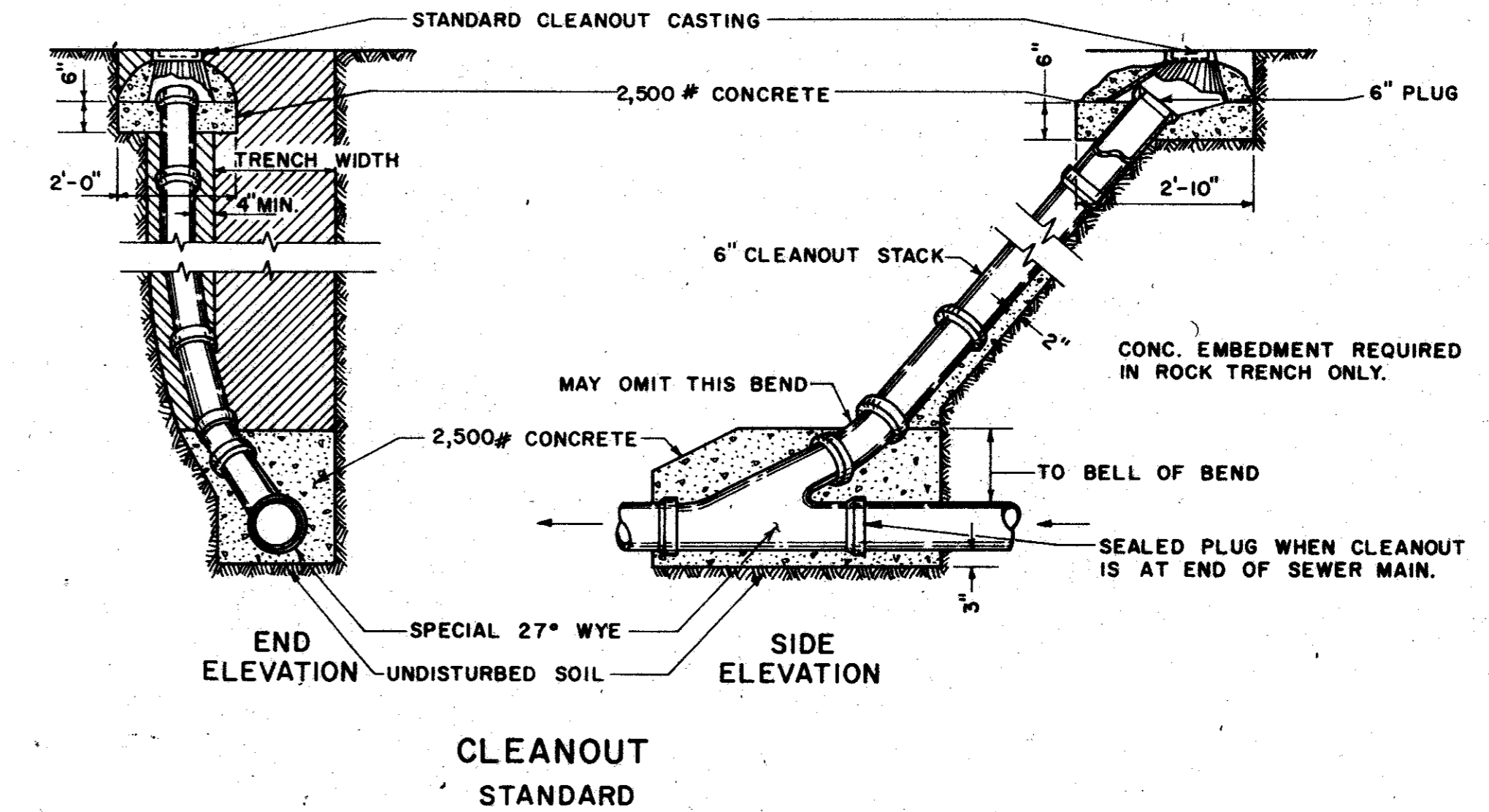
SERVICE CONNECTION
STANDARD



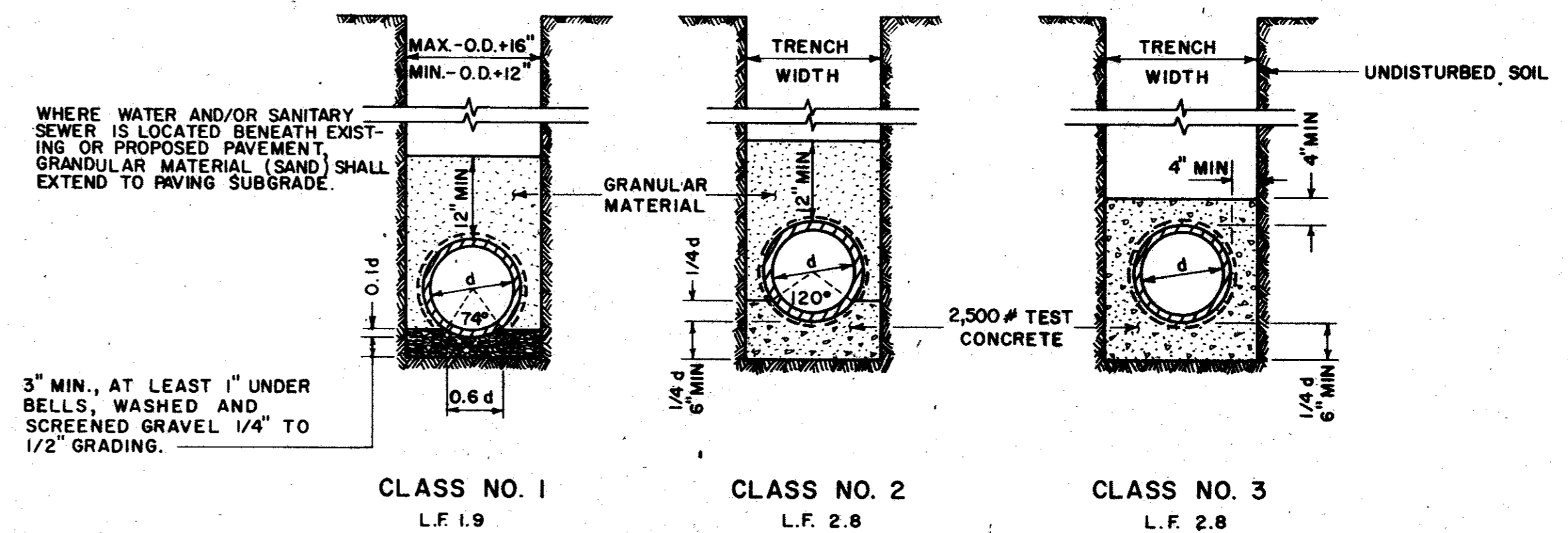
DEEP CONNECTION
FOR DITCH WITH SLOPING SIDES



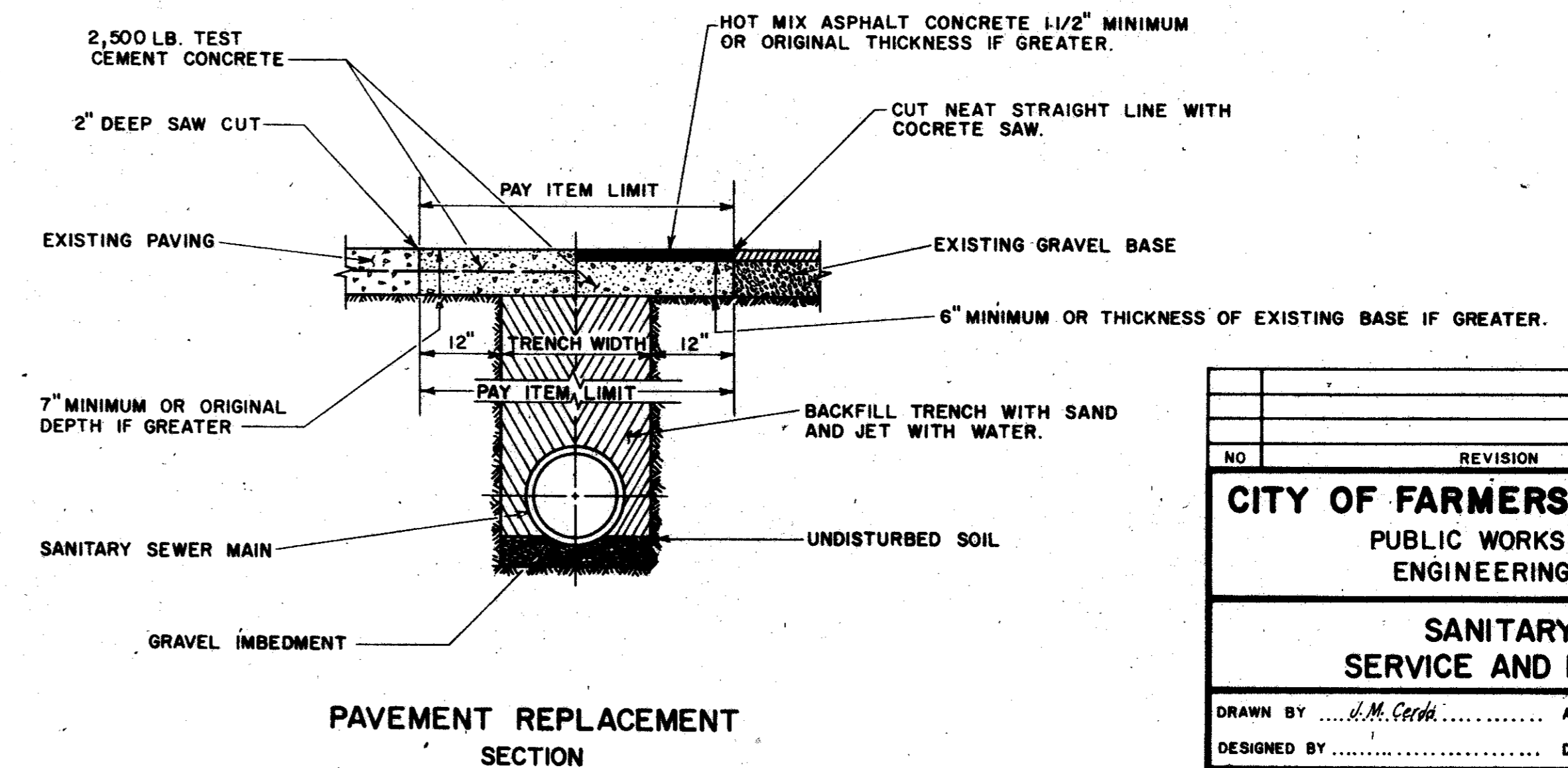
CLEANOUT CASTING
STANDARD



CLEANOUT
STANDARD



EMBEDMENT
TYPICAL
(WATER & SEWER).



PAVEMENT REPLACEMENT
SECTION

NO.	REVISION	BY	DATE
CITY OF FARMERS BRANCH, TEXAS PUBLIC WORKS DEPARTMENT ENGINEERING DIVISION			
SANITARY SEWER SERVICE AND MAIN DETAILS			
DRAWN BY <i>A.M. Cerda</i>		APPROVED BY	
DESIGNED BY		DATE	
PROJECT NO.	SCALE: None	SHEET 65 OF 66	