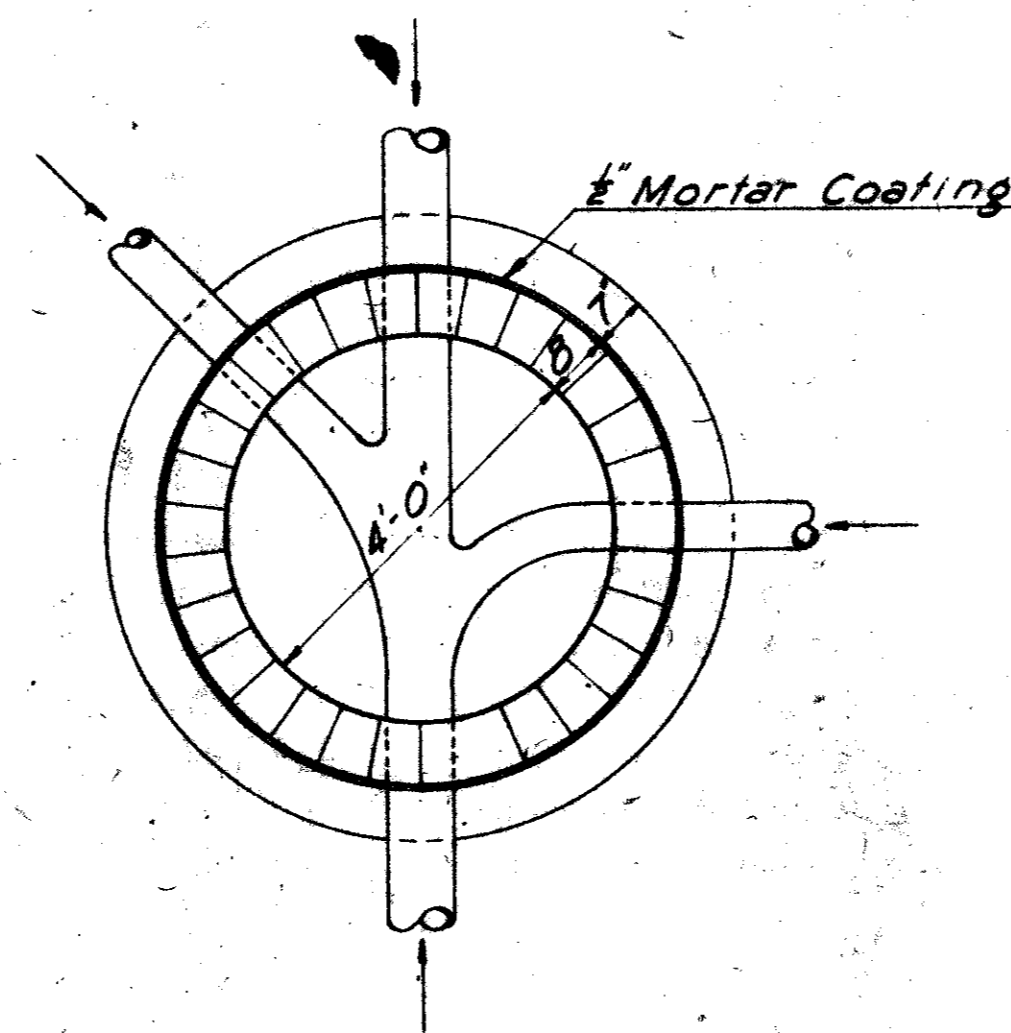


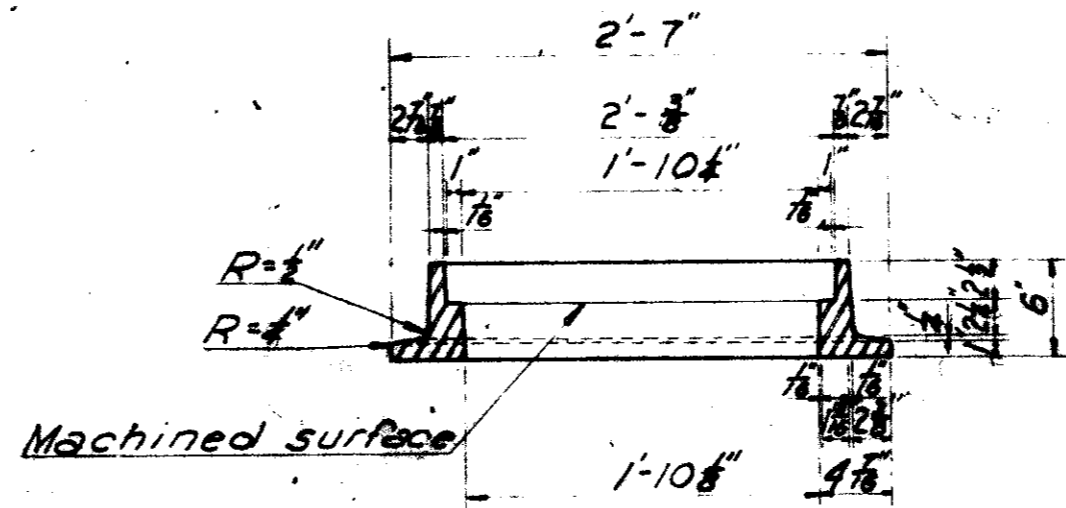
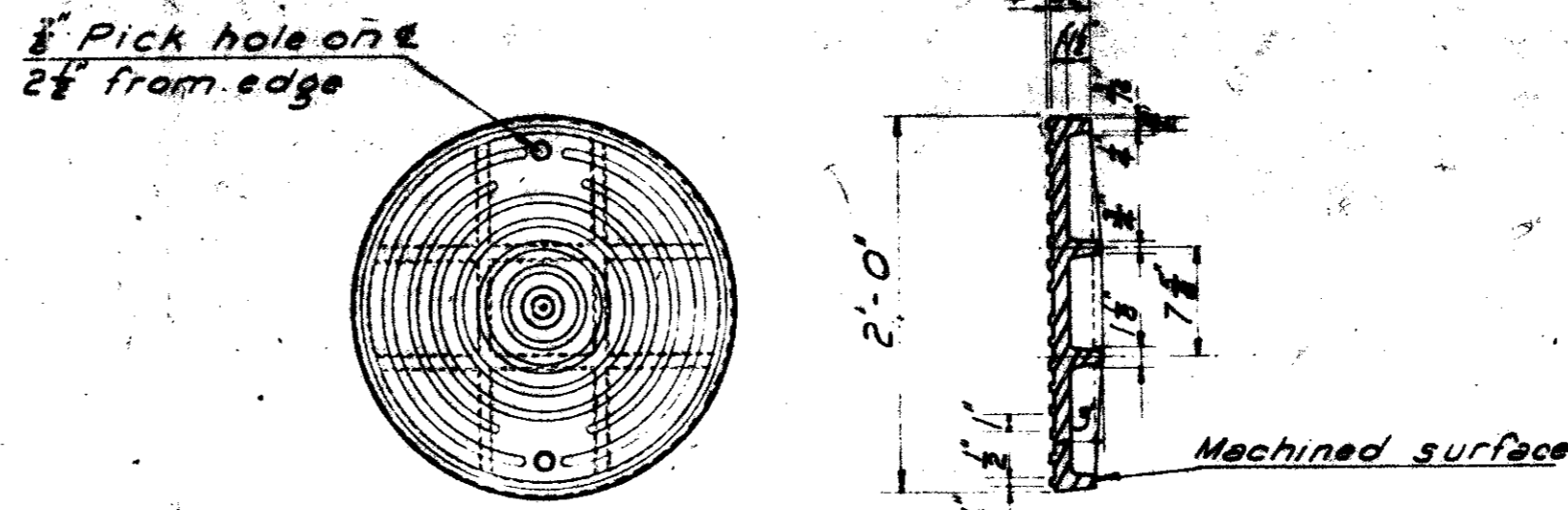
**NOTE:**  
**ALL MANHOLES**  
 In earth excavation diameter of base of manholes shall not be less than 6'-6" and in rock excavation 4'-0" plus wall thicknesses in all cases the base shall be poured the full width of the excavation.

Concrete cradle shall be provided for influent and effluent piping until firm bearing on undisturbed soil is maintained.

MANHOLE MINIMUM DIAMETER	
PIPE SIZE	DIAMETER
6"-8"-10"	4'-0"
12"-16"-18"	4'-6"
21"-24"-27"	5'-0"
30"	5'-6"
36"	6'-0"

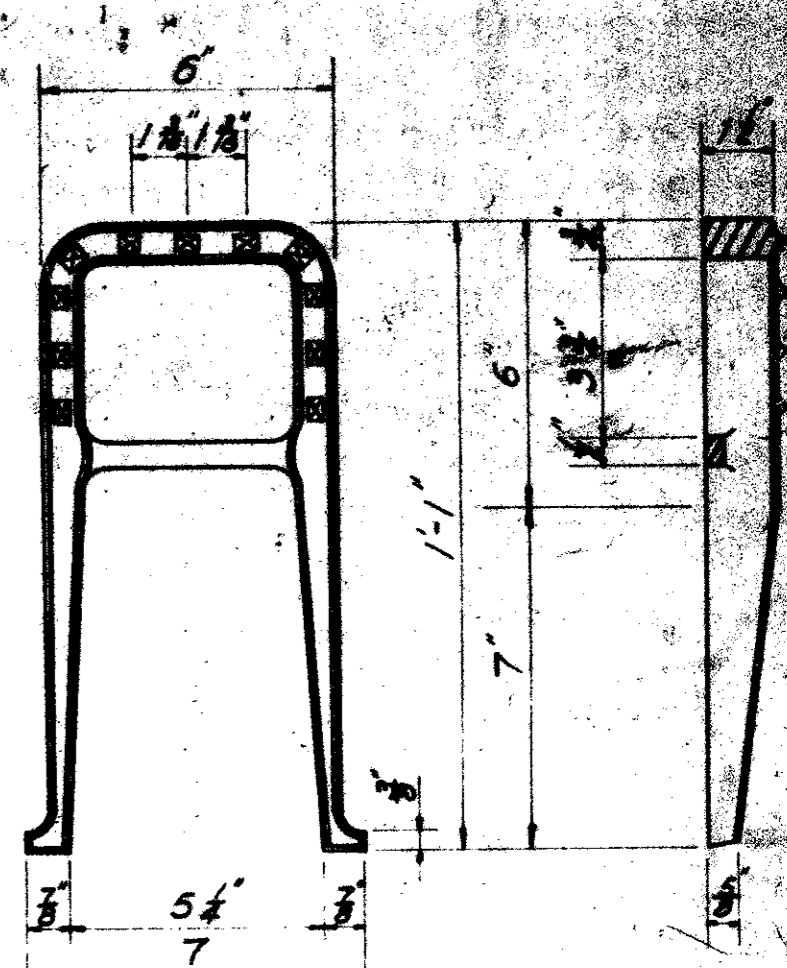


TYPICAL PLAN



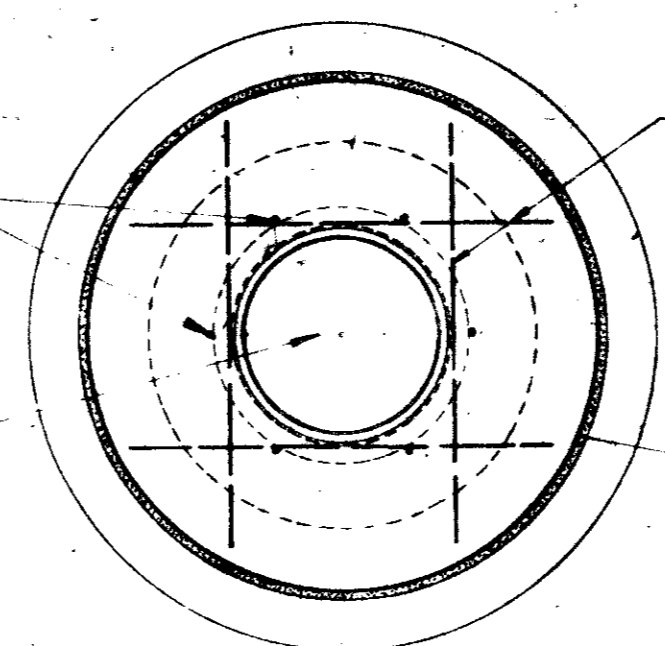
**NOTE:**  
 Dallas Foundry #700-8, or equal, 400# frame & cover. For other than street locations, 300# frame & cover (Dallas Foundry #700-12, or equal) may be substituted.

MANHOLE FRAME and COVER



MANHOLE STEP

Grout on manhole frame using 6-#4 dowel bars spaced equally around manhole frame.



ROOF SLAB PLAN

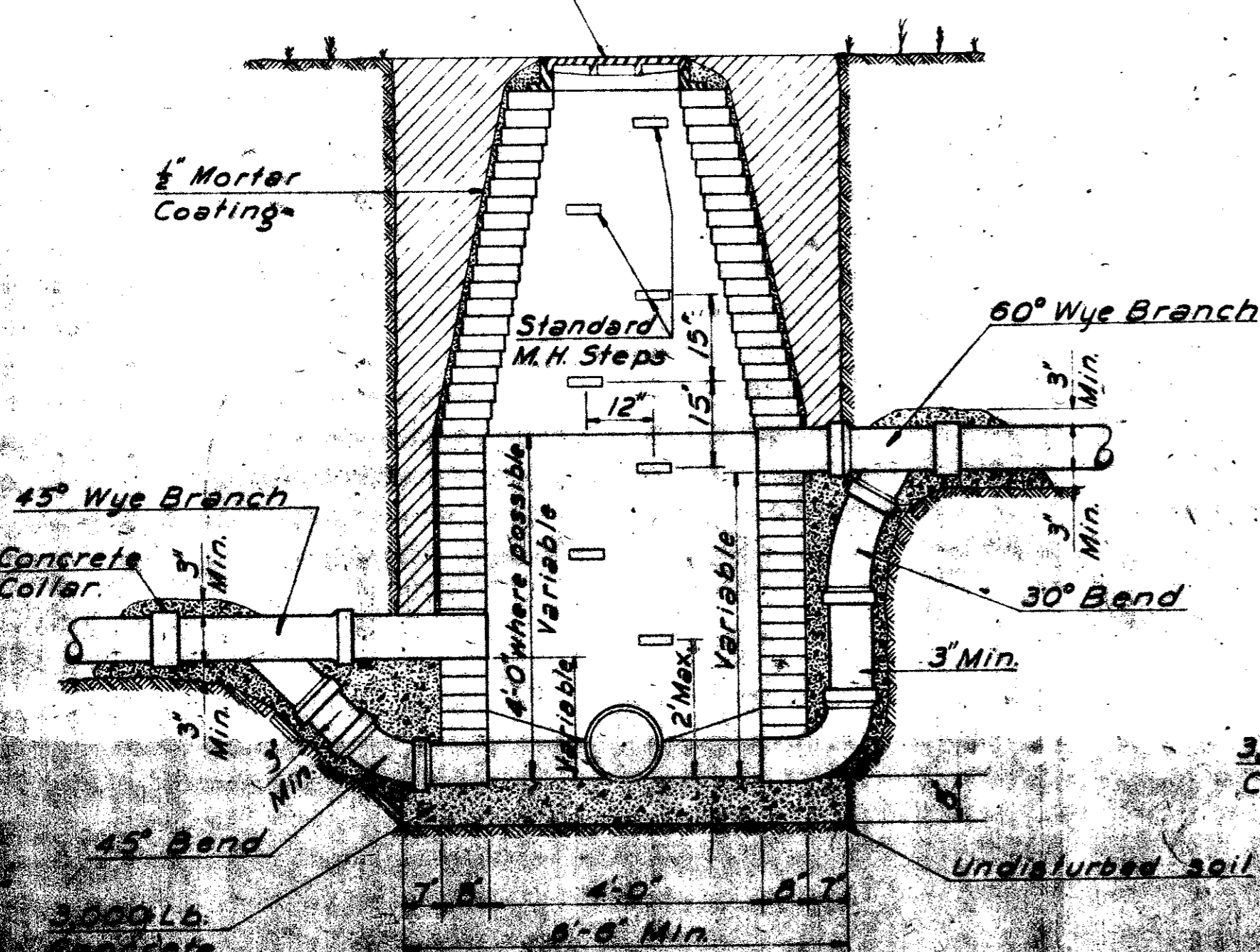
See Manhole Cover & Frame Details.

4-#4 Reinforcing bars to be placed as shown.

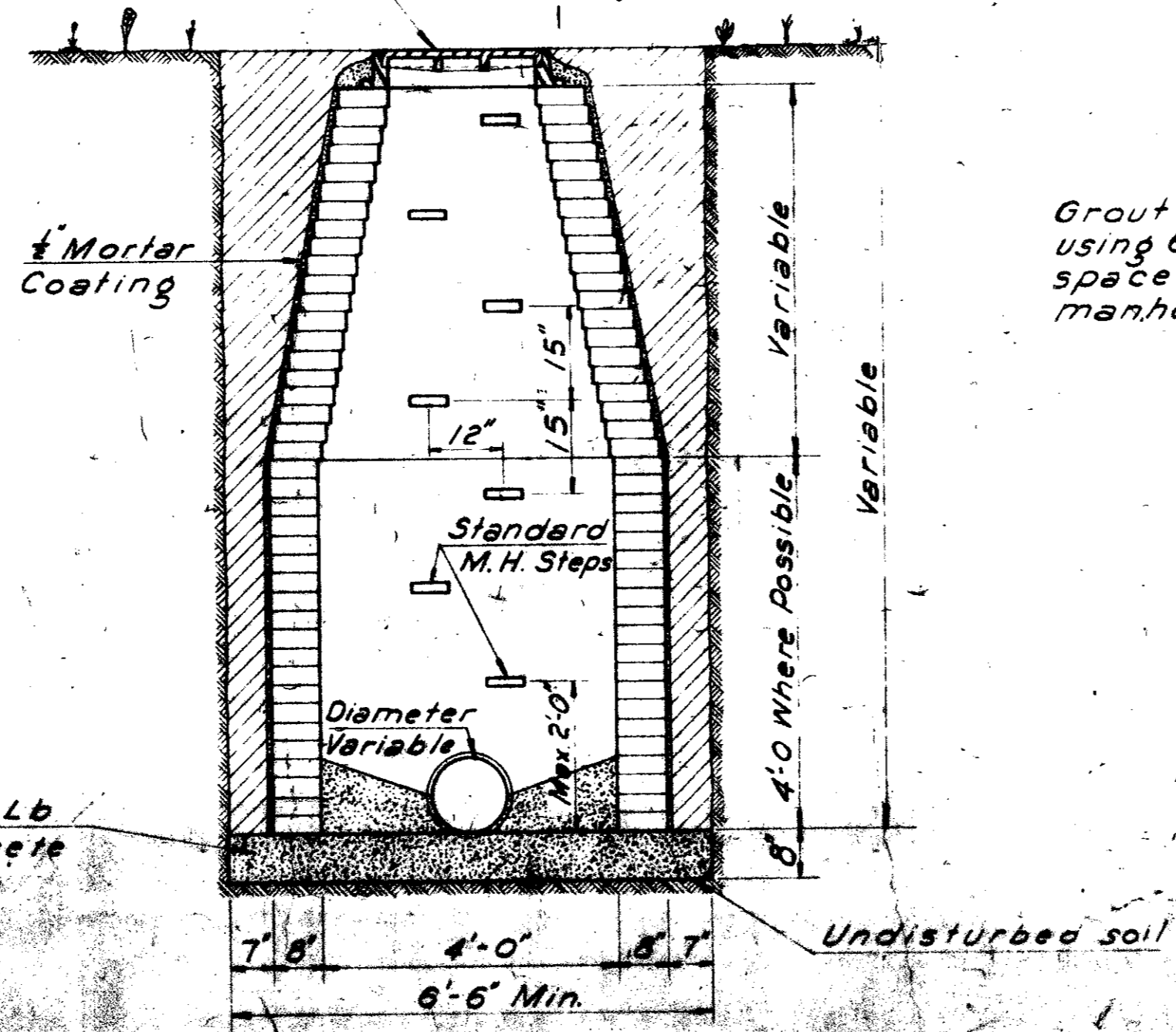
1/2 Mortar Coating.

See Manhole Cover & Frame Details.

See Manhole Cover & Frame Details.



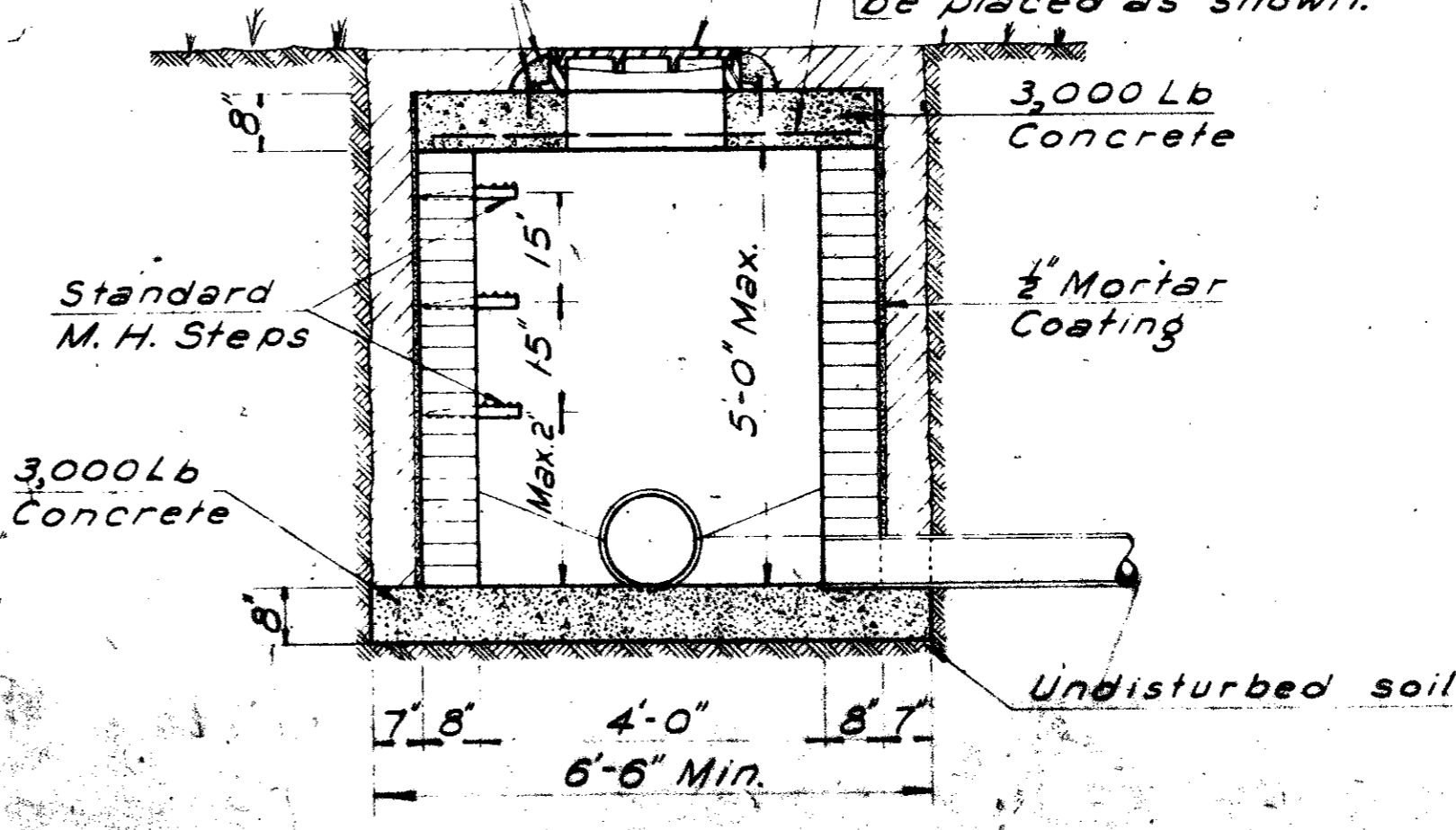
DROP MANHOLE



STANDARD MANHOLE

Grout on manhole frame using 6-#4 dowel bars spaced equally around manhole frame.

See Manhole Cover & Frame Details.



SHALLOW MANHOLE

NO.	REVISION
CITY OF FARMERS BRANCH, TEXAS	
PUBLIC WORKS DEPARTMENT	
ENGINEERING DIVISION	
SANITARY SEWER	
MANHOLE DETAILS	
DESIGNED BY	APPROVED BY
DATE	DATE
PROJECT NO.	SCALE SHEET 66 OF 66