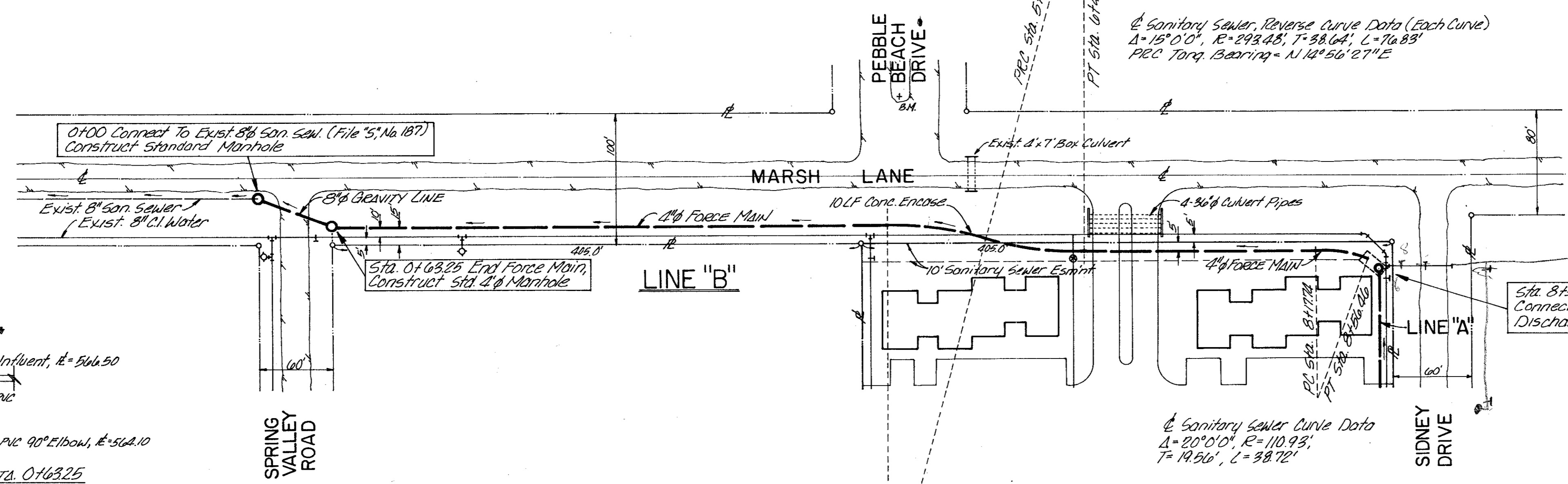
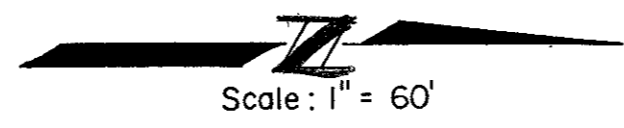
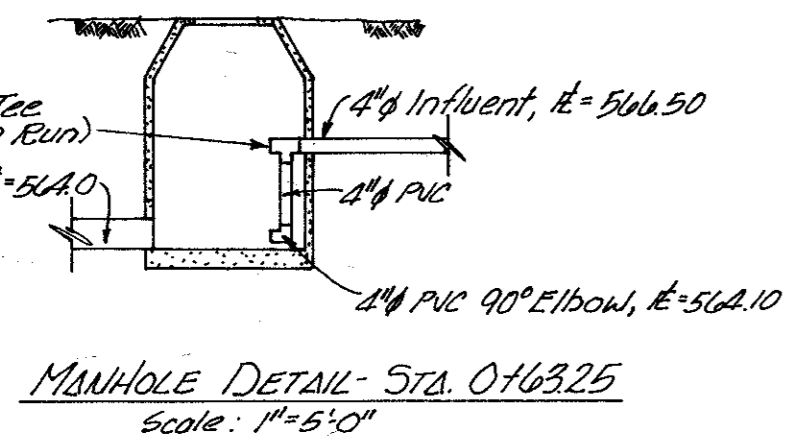


85

- General Notes:
1. Pipe For Sanitary Sewer Gravity Main shall Be PVC, SDR#35.
  2. Pipe For Force Main shall Be PVC Class 150, SDR#18.
  3. A Plastic Coated #12 Copper Wire shall Be Buried In Trench For Locating Pipe.
  4. The Contractor shall Investigate Soil Conditions Prior To Bidding.
  5. The Contractor shall Verify The Location of All Existing Utilities Prior To Start Of Construction.

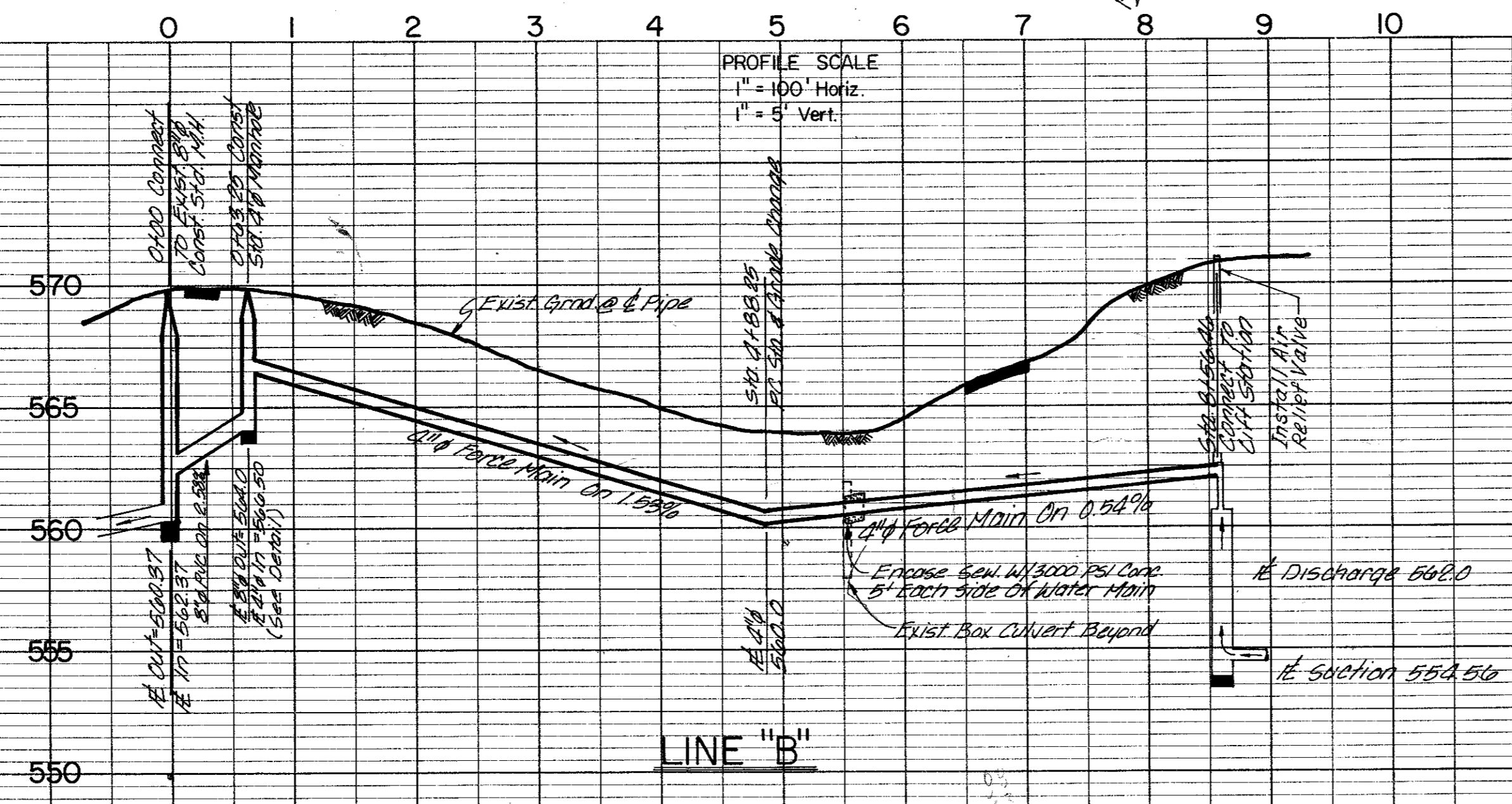


913 Deep

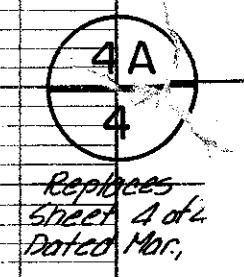


Bench Mark: "a" Cut In Top Of Light standard Base @ Intersection Of Pebble Beach Drive & Marsh Lane; Elev. = 564.33

553.10  
552.90m



Drawer 7  
#4



**OFF-SITE SANITARY SEWER  
MARSH LANE PROJECT**

ADDISON TEXAS

C 1975	APRIL, 1976
REVISIONS	
Complete Revision of Sit. A.	
Rev. From 0+100 To 0+63.25 4/27/76	
Rev. Location Air Rel. V. 4-28-76	

**DONALD E. DAVIS  
CONSULTING ENGINEERS**

3000 McKinney Ave. Dallas, Texas 75204

DATE	
BY	
PLAN	
NO. OF SHEETS	
NOTE BOOK	
NO.	

DATE	
BY	
PROFILE	
NO. OF SHEETS	
NOTE BOOK	
NO.	

Dallas Pkwg

Drawer 7  
#4