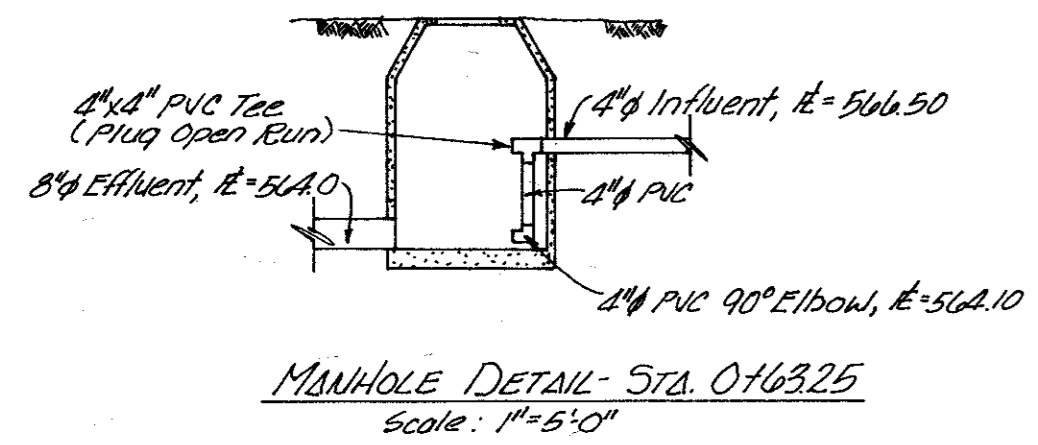
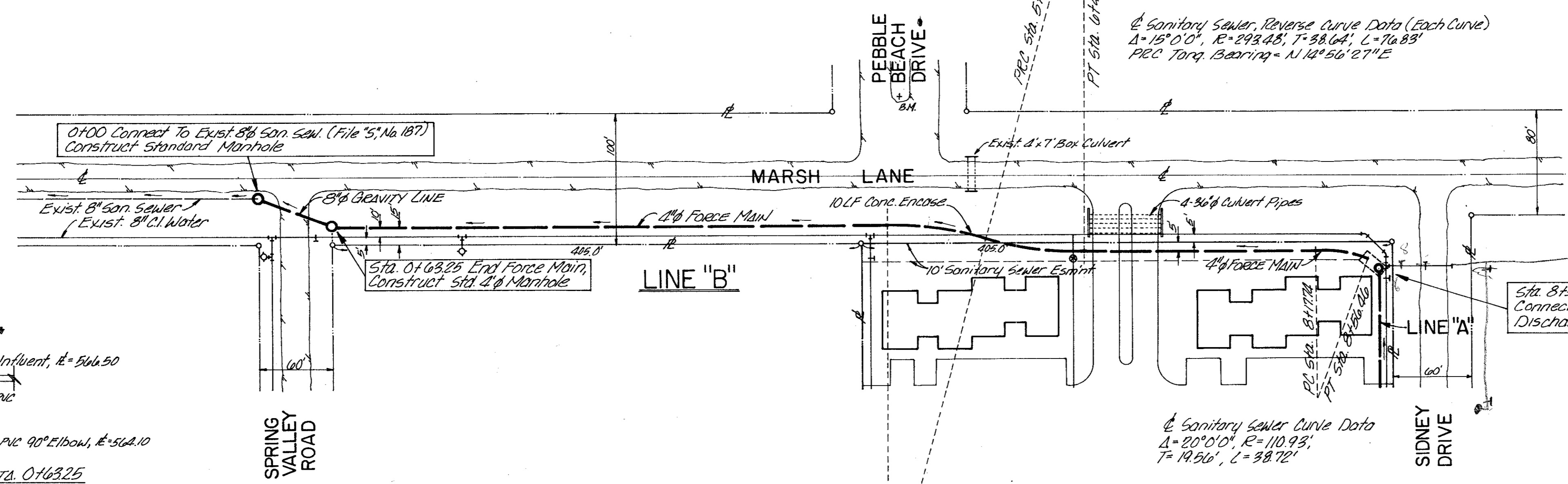
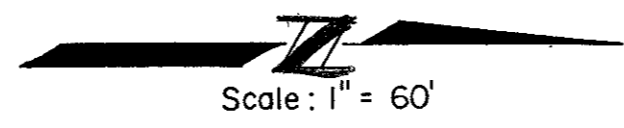


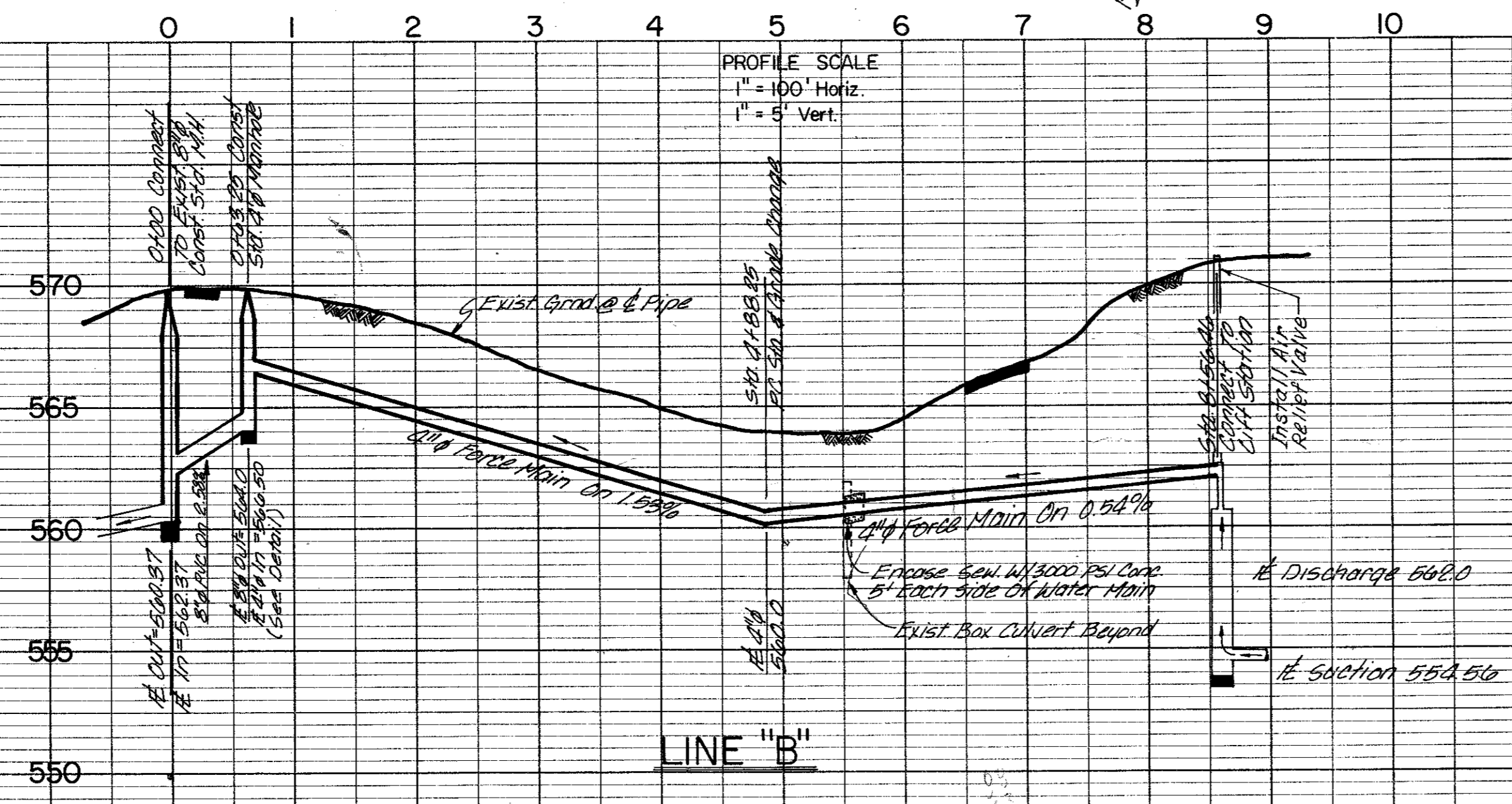
85

- General Notes:
1. Pipe For Sanitary Sewer Gravity Main shall Be PVC, SDR#35.
 2. Pipe For Force Main shall Be PVC Class 150, SDR#18.
 3. A Plastic Coated #12 Copper Wire shall Be Buried In Trench For Locating Pipe.
 4. The Contractor shall Investigate Soil Conditions Prior To Bidding.
 5. The Contractor shall Verify The Location of All Existing Utilities Prior To Start of Construction.



Bench Mark: "a" Cut In Top Of Light standard Base @ Intersection Of Pebble Beach Drive & Marsh Lane; Elev. = 564.33

553.10
552.90m

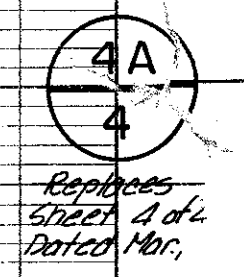


Dallas Pkwg

| | |
|-----------|--|
| DATE | |
| BY | |
| PLAN | |
| SURVEYED | |
| NOTED | |
| NOTE BOOK | |
| NO. | |

| | |
|-----------|--|
| DATE | |
| BY | |
| PROFILE | |
| SURVEYED | |
| NOTED | |
| NOTE BOOK | |
| NO. | |

Drawer 7
#4



OFF-SITE SANITARY SEWER
MARSH LANE PROJECT
ADDISON TEXAS

| | |
|------------------------------------|-------------|
| C 1975 | APRIL, 1976 |
| REVISIONS | |
| Complete Revision of Sit. A. | |
| Rev. From 0+100 To 0+63.25 4/27/76 | |
| Rev. Location Air Rel. V. 4-28-76 | |

DONALD E. DAVIS
CONSULTING ENGINEERS

3000 McKinney Ave. Dallas, Texas 75204

Drawer 7
#4