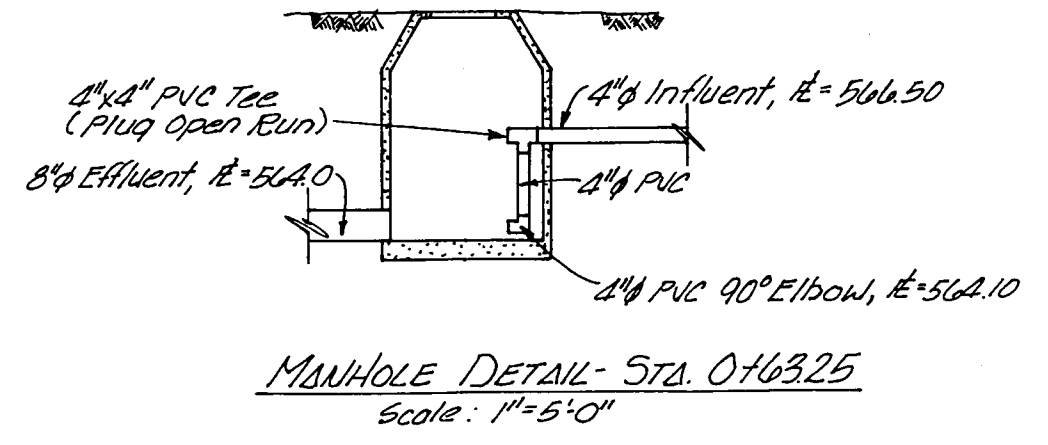
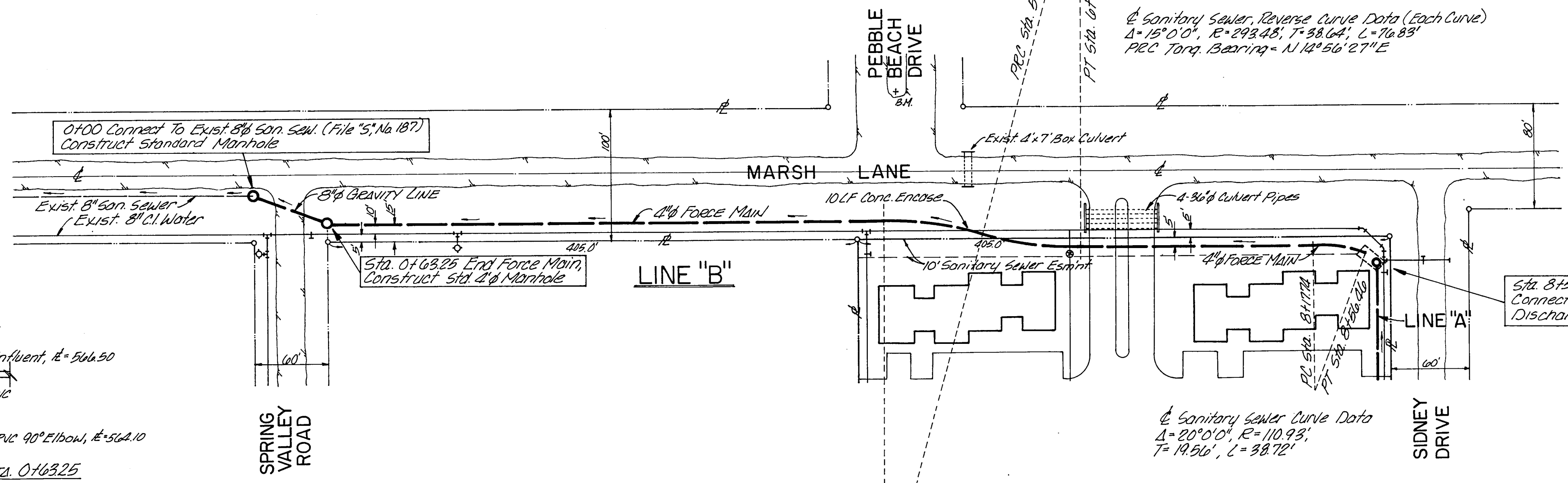


DATE	
BY	
CHKD	
APPROVED	
NOTED	
GRADES CHECKED	
STRUCTURE NOTATIONS CHECKED	
NO.	

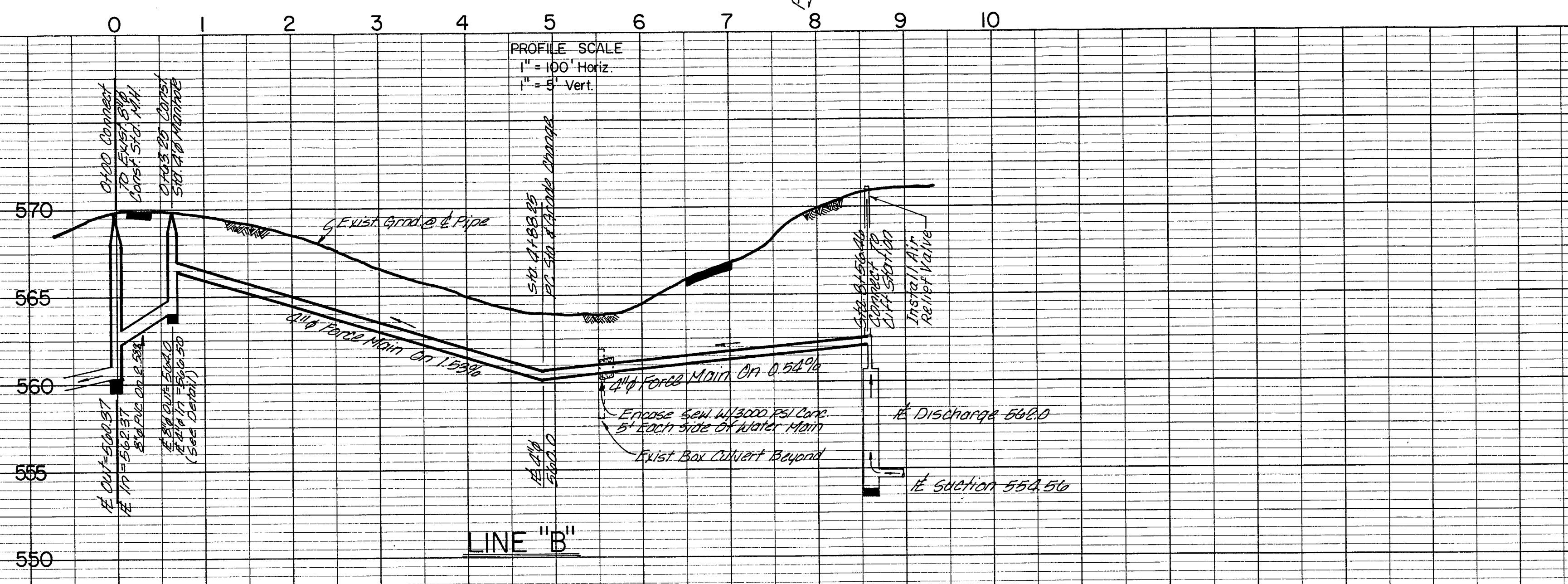
DATE	
BY	
CHKD	
APPROVED	
NOTED	
GRADES CHECKED	
STRUCTURE NOTATIONS CHECKED	
NO.	

Scale: 1" = 60'

- General Notes:
1. Pipe For Sanitary Sewer Gravity Main Shall Be PVC, SDR # 35.
  2. Pipe For Force Main Shall Be PVC Class 150, SDR # 18.
  3. A Plastic Coated # 12 Copper Wire Shall Be Buried In Trench For Locating Pipe.
  4. The Contractor shall Investigate soils Conditions Prior To Bidding.
  5. The Contractor shall Verify The Location of All Existing Utilities Prior To Start of Construction.



Bench Mark: "a" Cut In Top Of Light Standard Base  
 @ Intersection Of Pebble Beach Drive & Marsh Lane;  
 Elev. = 564.33



4A  
4  
Replaces  
Sheet 2 of 4  
Dated Nov, 1976

OFF-SITE SANITARY SEWER  
**MARSH LANE PROJECT**  
 ADDISON TEXAS

C 1975 APRIL, 1976

REVISIONS  
 Complete Revision of Sht. 4.  
 Rev. From Sht. 70, 0+63.25 - 8+150.40  
 Rev. Location Air Rel. V. 4-28-76

3000 MARKSLEY AVE., DALLAS, TEXAS 75234

**DONALD E. DAVIS**  
 CONSULTING ENGINEERS