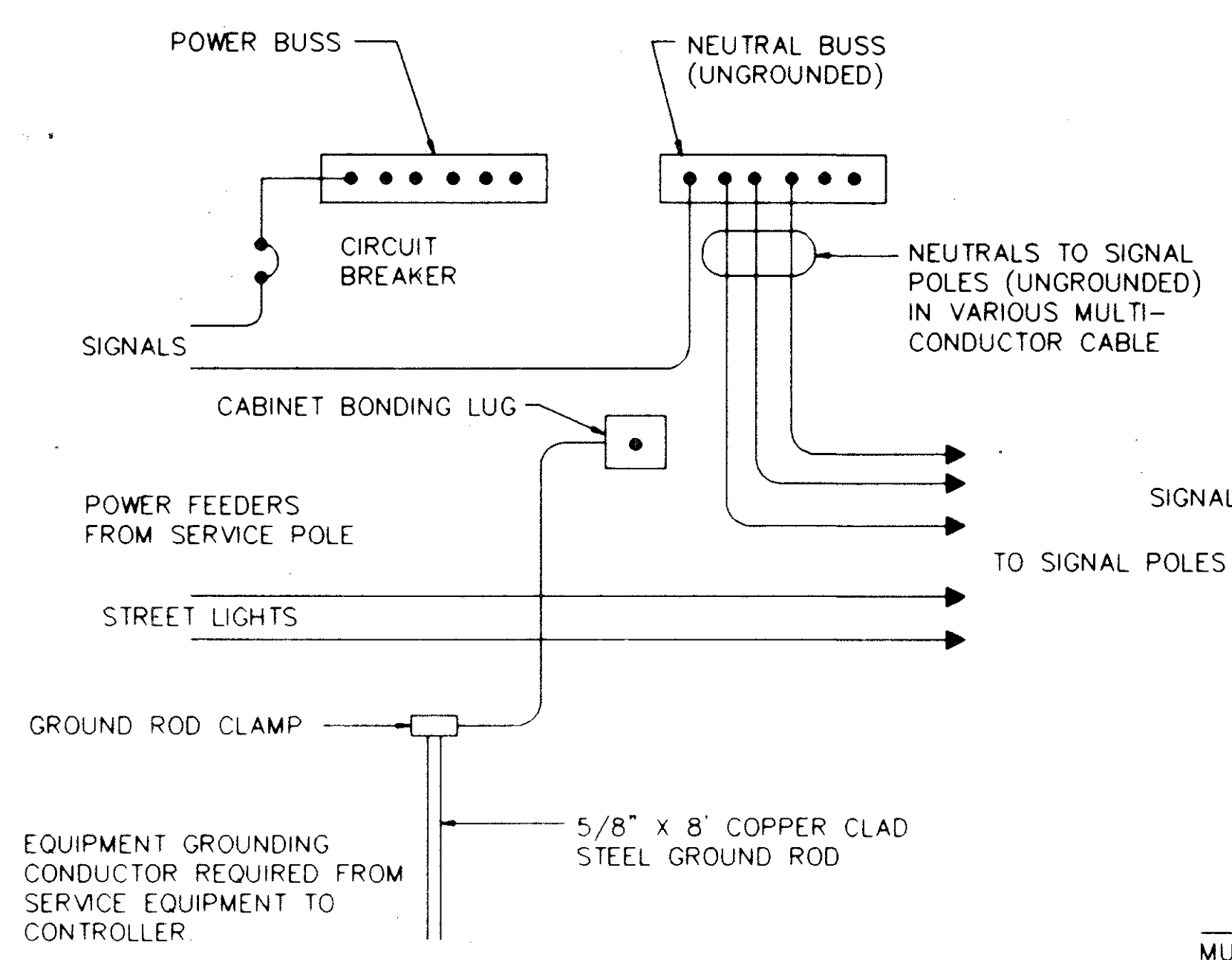
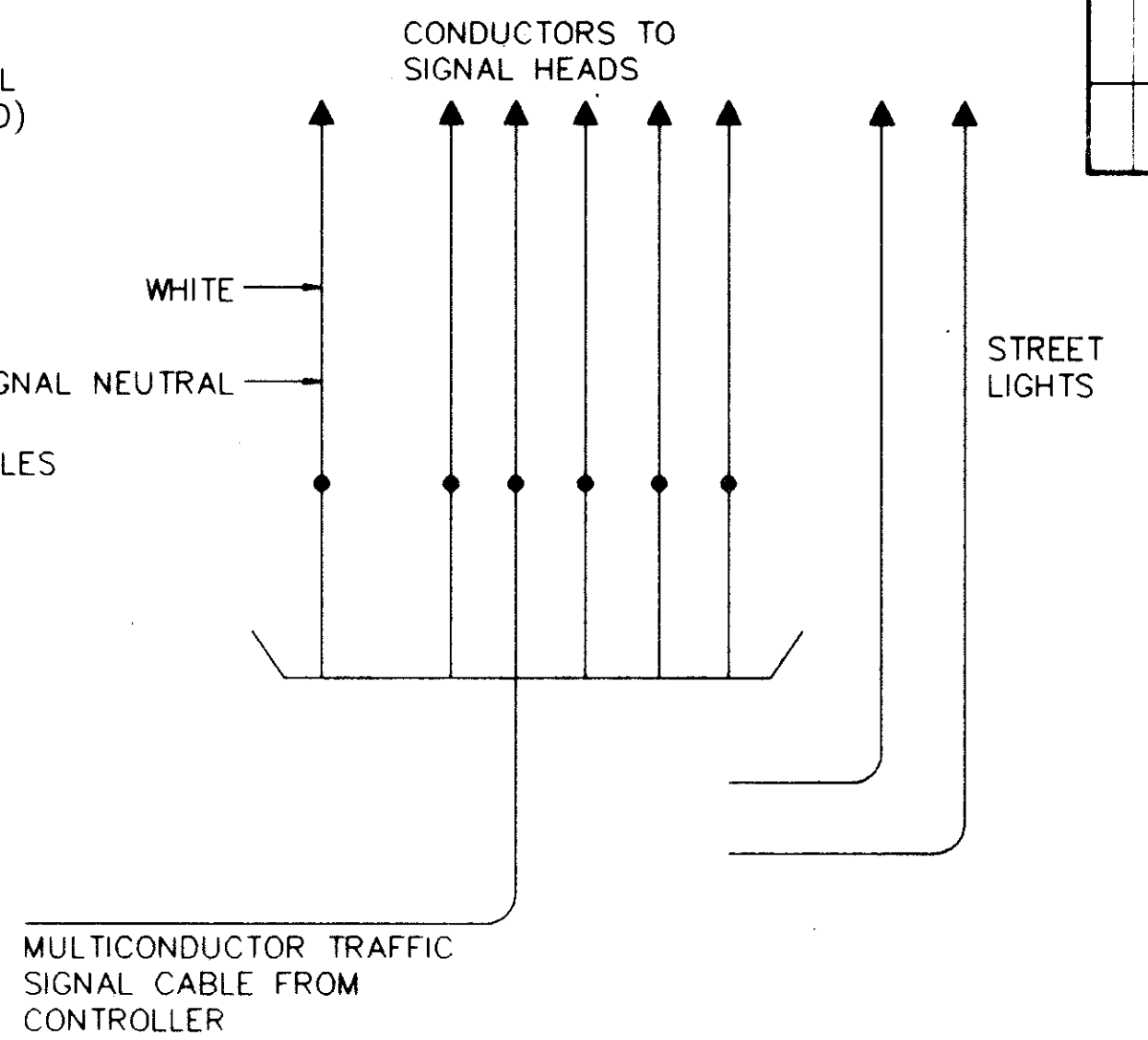


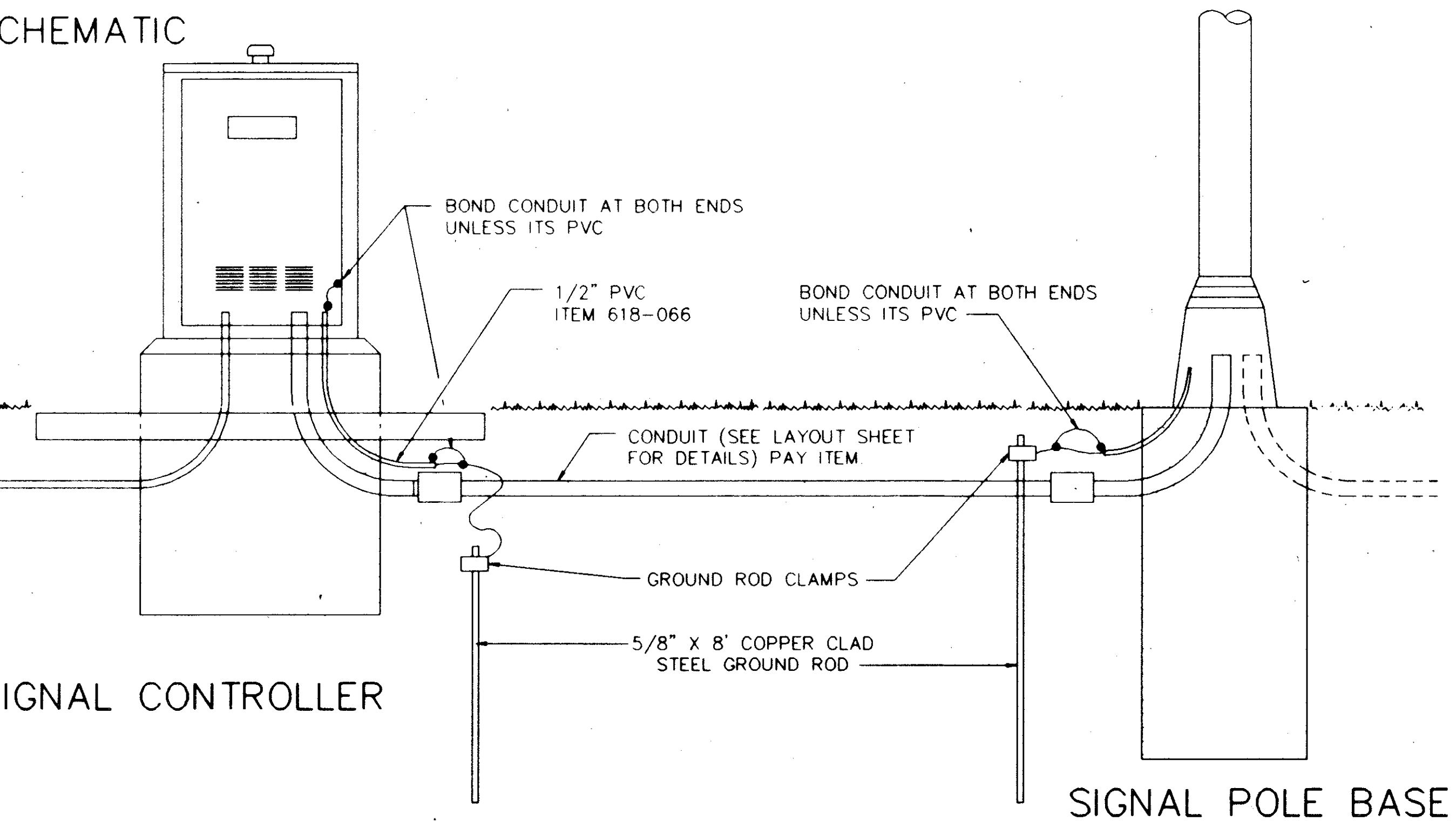
SERVICE ASSEMBLY SCHEMATIC



CONNECTIONS AT SIGNAL CONTROLLERS



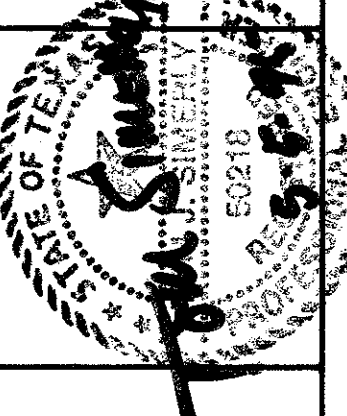
CONNECTIONS AT POLE BASE



SIGNAL CONTROLLER

SIGNAL POLE BASE

No.	Date	Revisions	App.



Barton-Aschman Associates, Inc.

SERVICE POLE AND GROUNDING DETAILS

Scale: N/A
 Date: 6/5/85
 Designed by:
 Drawn by:
 Checked by: TJS
 Approved by: TJS
 Project No. 654003.01000