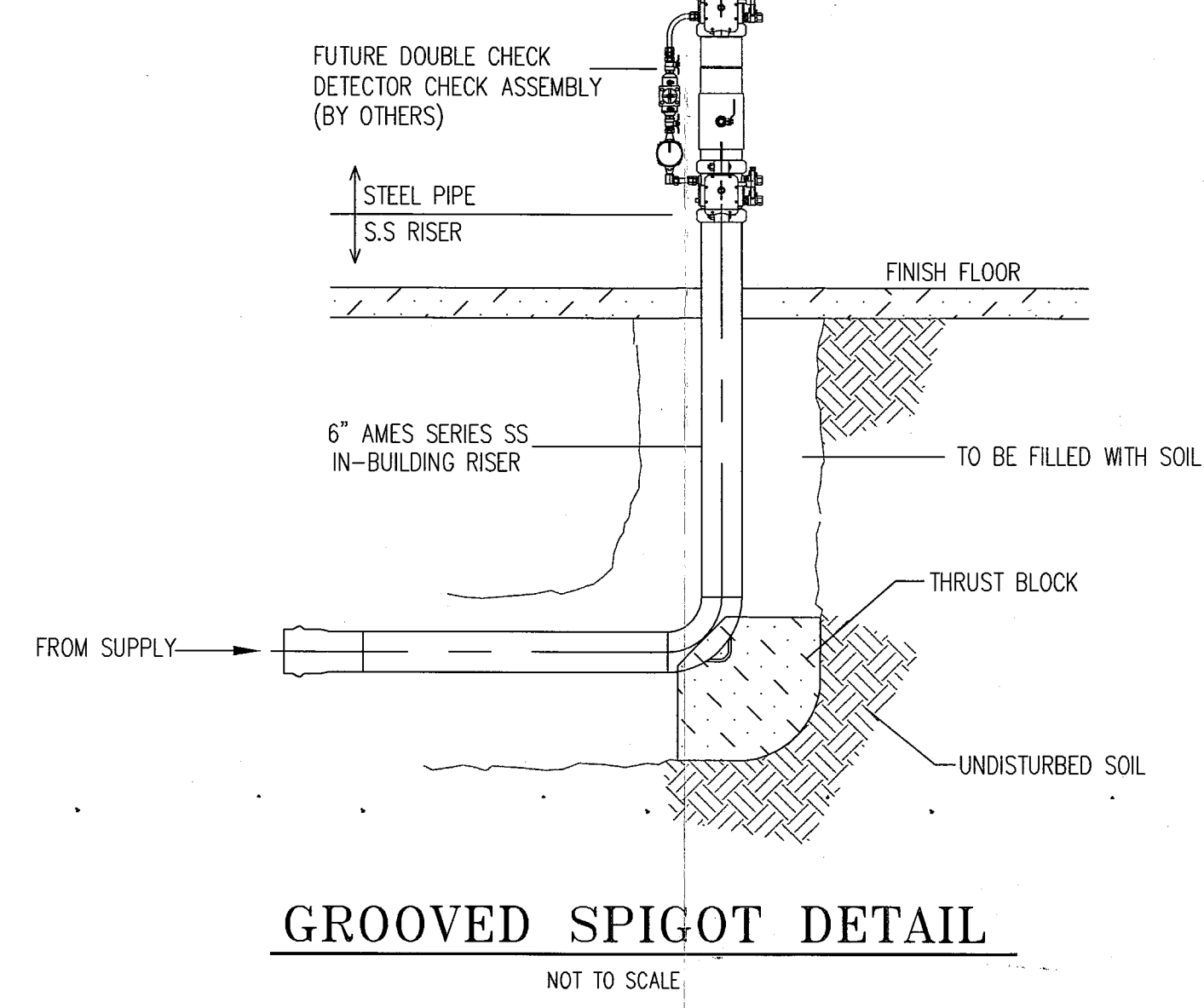
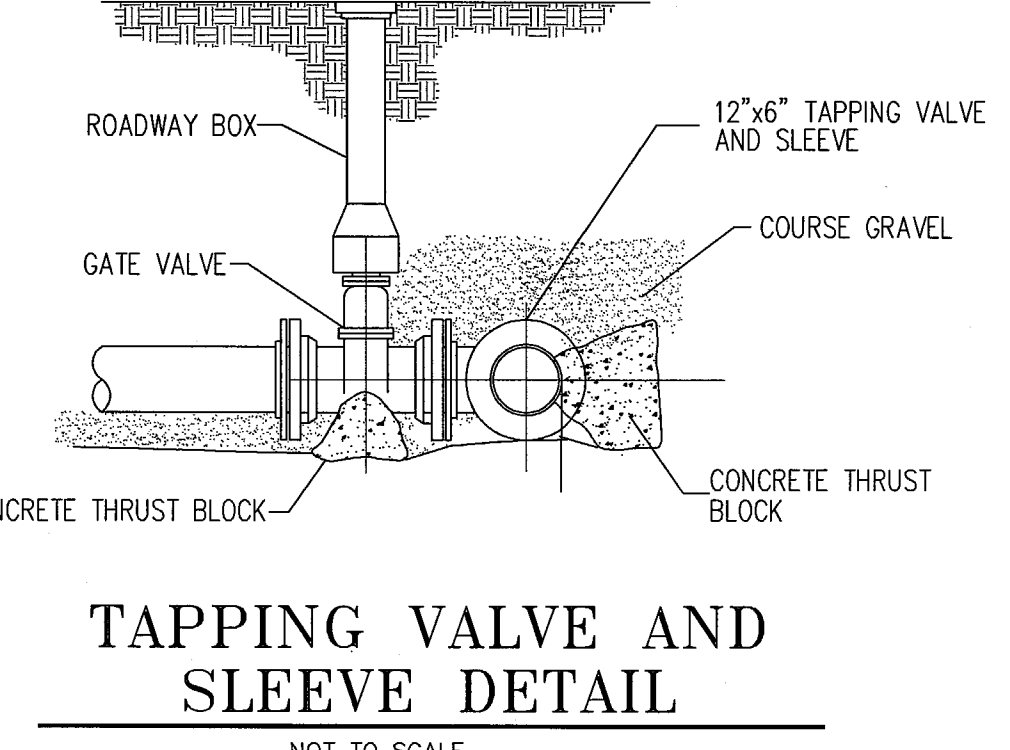
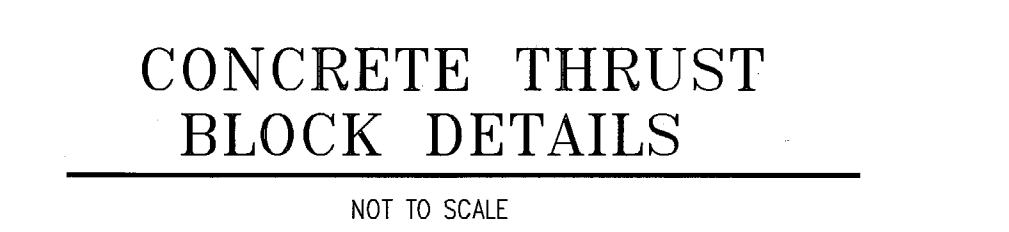
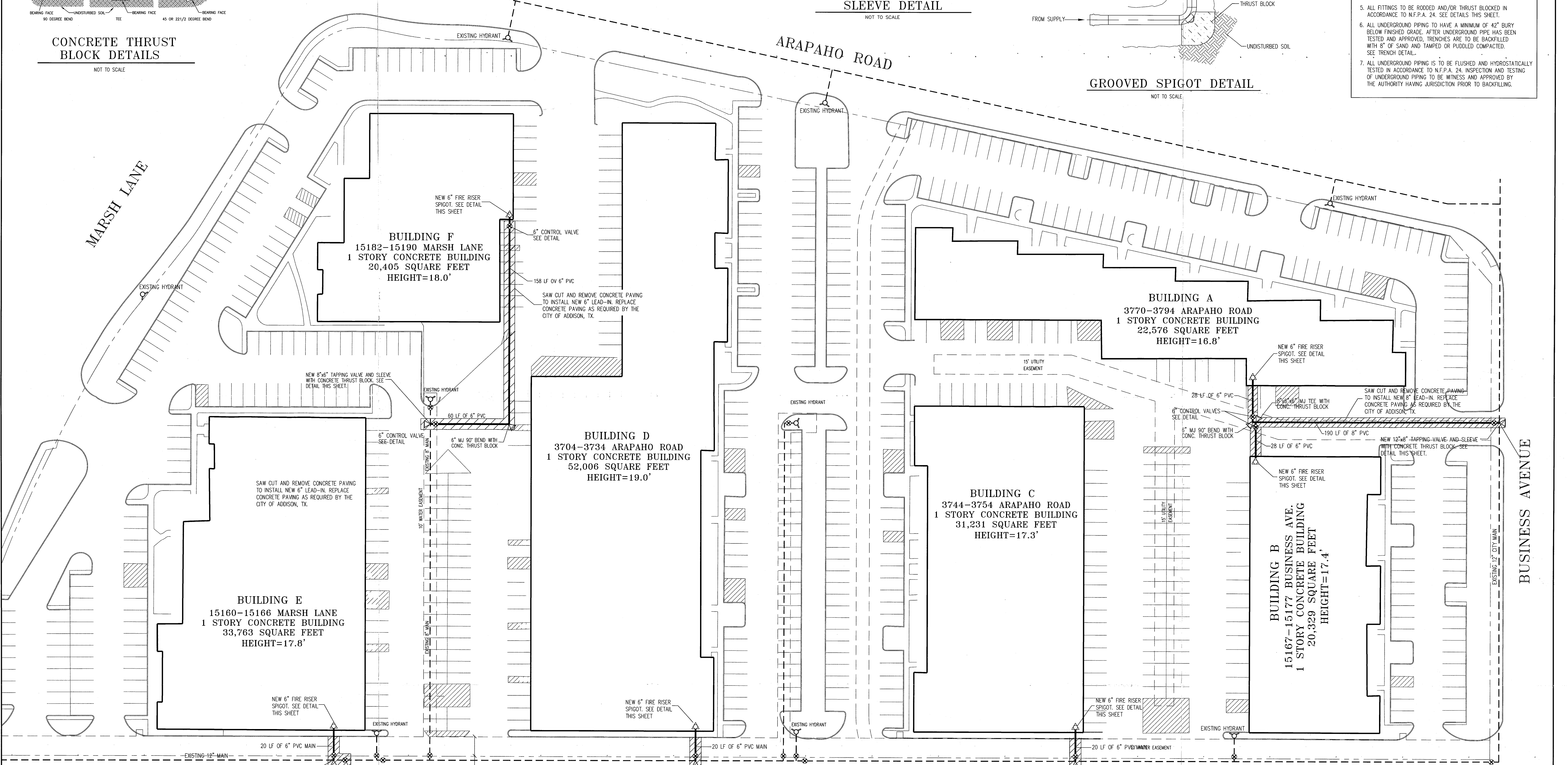


AREA OF BEARING FACE OF CONCRETE THRUST BLOCKS			
PIPE SIZE INCHES	90 DEGREE BEND SQ. FT.	45 DEGREE BEND SQ. FT.	TEES, PLUGS, CAPS AND HYDRANTS SQ. FT.
4	2	2	2
6	9	5	5
8	18	10	10
10	27	15	15
12	36	20	20
14	45	25	25
16	54	30	30
18	63	35	35
20	72	40	40
24	108	60	60



- GENERAL NOTES - FIRE SERVICE**
- SECURITY FIRE SYSTEM'S SCOPE OF WORK IS TO RUN FIRE SERVICE UNDERGROUND PIPING FROM THE CITY SUPPLY TO THE GROOVED SPIGOT INSIDE THE BUILDING. SEE PLAN FOR EXACT LOCATION.
  - ALL INSTALLATION AND MATERIALS TO CONFORM TO THE CITY OF ADDISON, TEXAS PUBLIC WORKS DEPT., THE FIRE DEPT., N.E.P.A. 13 AND N.E.P.A. 24 STANDARDS.
  - ALL MATERIALS TO BE UL LISTED FOR FIRE PROTECTION USE.
  - ALL UNDERGROUND PIPE UP TO 5 FT FROM BUILDING TO BE AWWA C-900 OR 14 CLASS 200. PIPE RUNNING UNDER AND ENTERING BUILDING TO BE STAINLESS STEEL. ALL FITTINGS TO BE DUCTILE IRON MECHANICAL JOINT. DUCTILE IRON PIPE IS TO BE WRAPPED IN 3 MIL. POLYWRAP.
  - ALL FITTINGS TO BE RODDED AND/OR THRUST BLOCKED IN ACCORDANCE TO N.E.P.A. 24. SEE DETAILS THIS SHEET.
  - ALL UNDERGROUND PIPING TO HAVE A MINIMUM OF 42" BURY BELOW FINISHED GRADE. AFTER UNDERGROUND PIPE HAS BEEN TESTED AND APPROVED, TRENCHES ARE TO BE BACKFILLED WITH 3" OF SAND AND TAMPED OR PUDDLED COMPACTED. SEE TRENCH DETAIL.
  - ALL UNDERGROUND PIPING IS TO BE FLUSHED AND HYDROSTATICALLY TESTED IN ACCORDANCE TO N.E.P.A. 24. INSPECTION AND TESTING OF UNDERGROUND PIPING TO BE WITNESS AND APPROVED BY THE AUTHORITY HAVING JURISDICTION PRIOR TO BACKFILLING.



**UNDERGROUND SITE PLAN**  
SCALE 1"=30'

**SUBMITTAL REVIEW**

NO EXCEPTIONS TAKEN TO REUSE AND RESUBMIT  
MAKE CORRECTIONS NOTED SUBMIT SPECIFIED ITEM

CHECKING IS ONLY FOR GENERAL CONFORMANCE WITH THE DESIGN CONCEPT OF THE PROJECT AND GENERAL COMPLIANCE WITH THE INFORMATION IN THE CONTRACT DOCUMENTS. ANY ACTION SHOWN ABOVE IS SUBJECT TO THE REQUIREMENTS OF THE PLANS AND SPECIFICATIONS. CONTRACTOR IS RESPONSIBLE FOR OBTAINING ALL NECESSARY PERMITS AND APPROVALS FROM THE CITY OF ADDISON, TEXAS. CONTRACTOR SHALL BE RESPONSIBLE FOR OBTAINING ALL NECESSARY PERMITS AND APPROVALS FROM THE CITY OF ADDISON, TEXAS. CONTRACTOR SHALL BE RESPONSIBLE FOR OBTAINING ALL NECESSARY PERMITS AND APPROVALS FROM THE CITY OF ADDISON, TEXAS.

TOWN OF ADDISON  
CITY ENGINEER  
BY: *CLAY BARNER* DATE: 12-1-2008

I HAVE REVIEWED THESE PLANS AND CERTIFY THAT THEY COMPLY WITH THE ADOPTED NFPA STANDARDS.  
*J. Michael Alexander*  
FIRE DEPT. CHIEF  
DATE: 12-1-2008

AS-BUILT

LEGEND		CONTRACTOR INFORMATION	
12	MAIN NUMBER	CONTRACT WITH:	
BR	BRANCHLINE NUMBER	CONTACT:	
CL	CENTERLINE OF PIPE ABOVE FINISHED FLOOR	ADDRESS:	
		CITY & STATE:	
		TELEPHONE NUMBER:	
		FAX NUMBER:	

FLOW TEST INFORMATION		REVISIONS	
DATE OF TEST	STATIC HYDRANT LOCATION	NO.	DATE
STATIC PRESSURE	PSI	BY	REV PER CITY OF ADDISON COMMENTS
RESIDUE PRESSURE	PSI		
PITOT PRESSURE	PSI		
FLOWING GPM	GPM		
FLOWING GPM	GPM		

SPRINKLER HEAD LEGEND									
SYMBOL	MFG.	MODEL	SIN. NO.	COLOR	STYLE	ORIFICE	TEMP	K FACTOR	TOTAL

CONTRACTOR INFORMATION	
CONTRACT WITH:	
CONTACT:	
ADDRESS:	
CITY & STATE:	
TELEPHONE NUMBER:	
FAX NUMBER:	

R.M.E. MIKE ALEXANDER SCR-0339 RME-0642 DATE 10/20/2008

**SECURITY FIRE SYSTEM, Inc.**  
P.O. BOX 577  
COPPELL, TEXAS 75019  
972-393-2543

PROJECT: MARSH LANE BUSINESS PARK  
MARSH LANE AT ARAPAHO ROAD  
ADDISON, TEXAS

SCALE: 1"=30'  
JOB #:  
DESIGN BY: CSD  
DRAWN BY: JMA  
CHECKED BY: MA  
SHEET: FP1  
1 OF 1

Bl-14