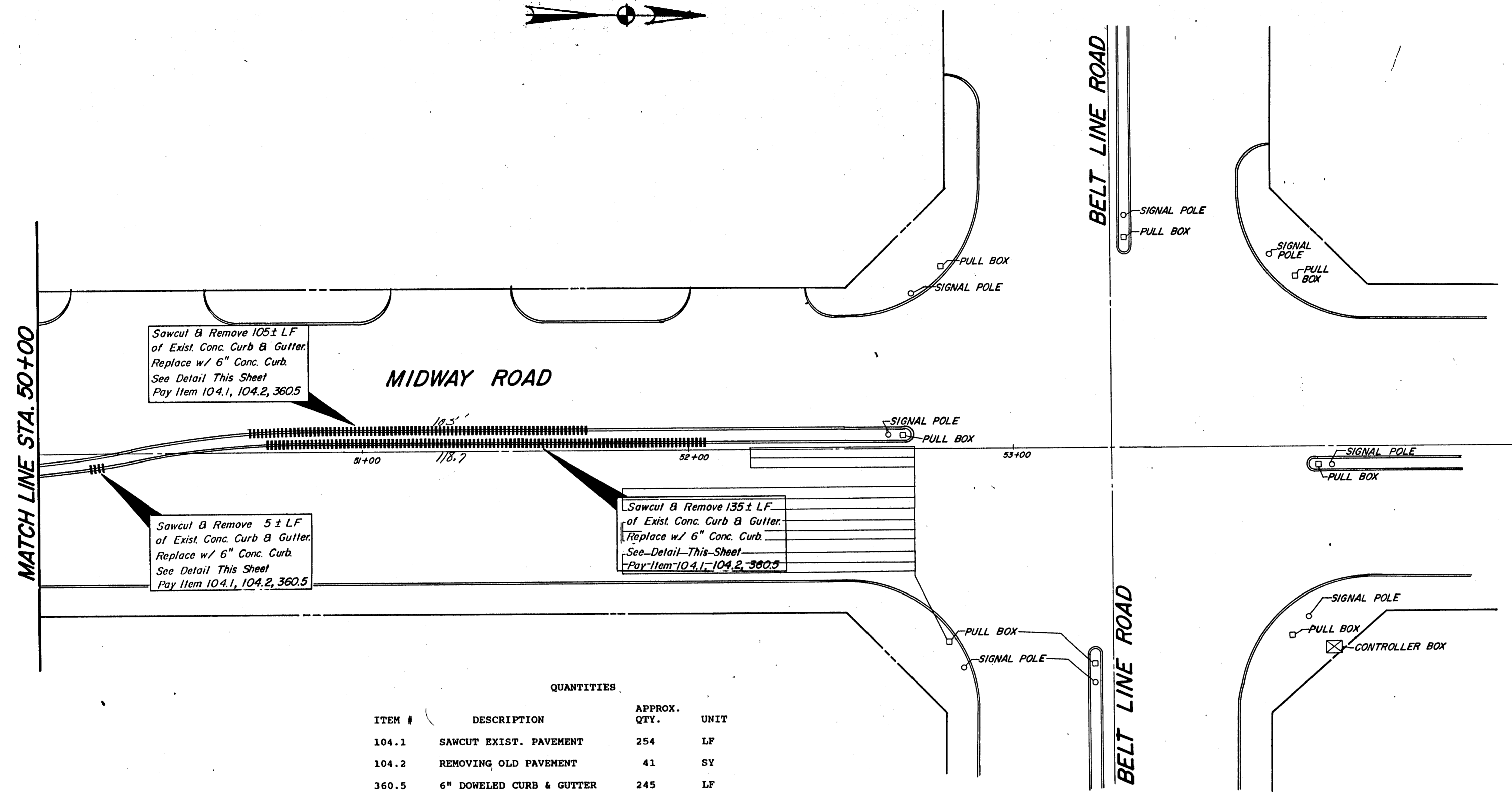
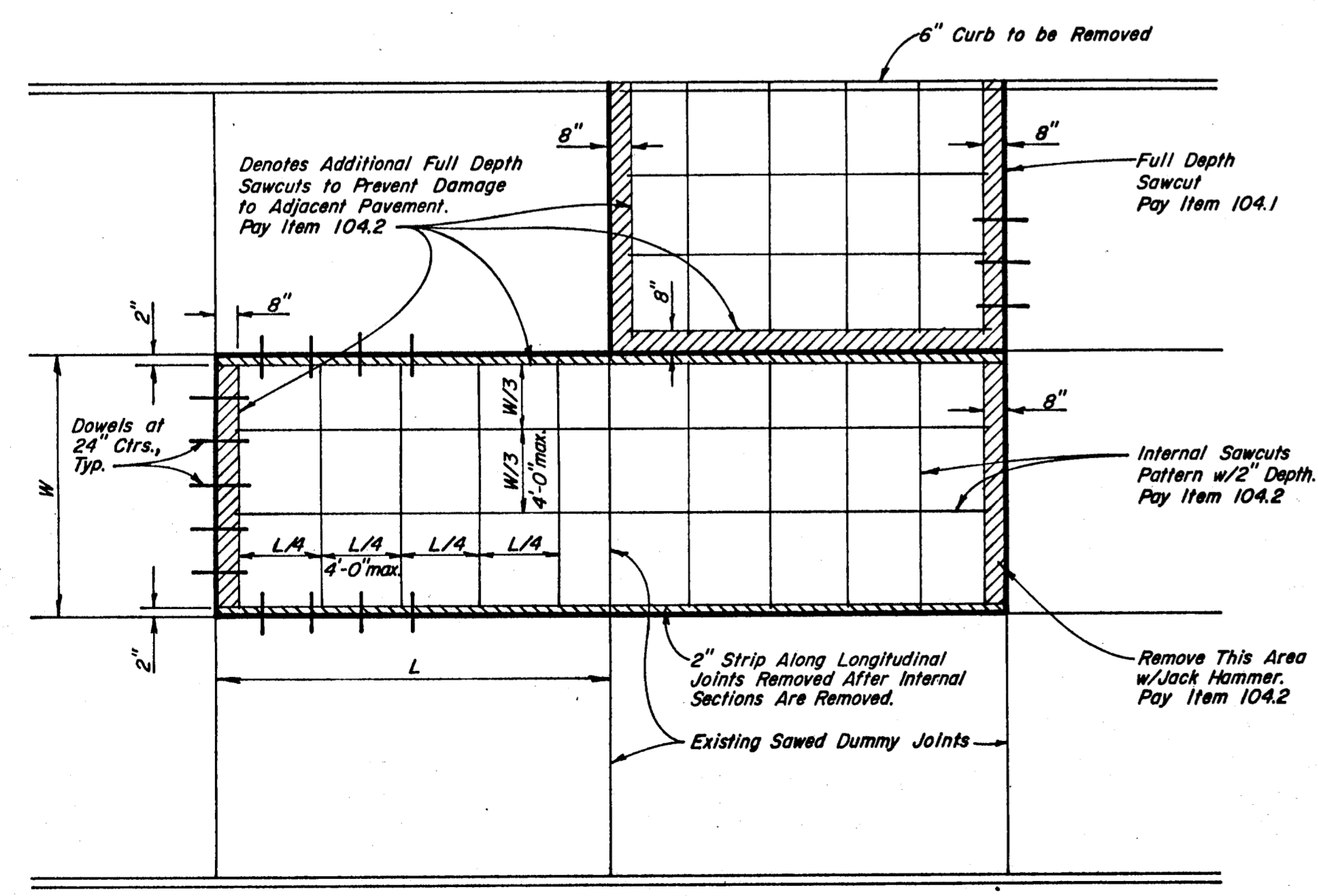


10.20  
10.20  
10.20

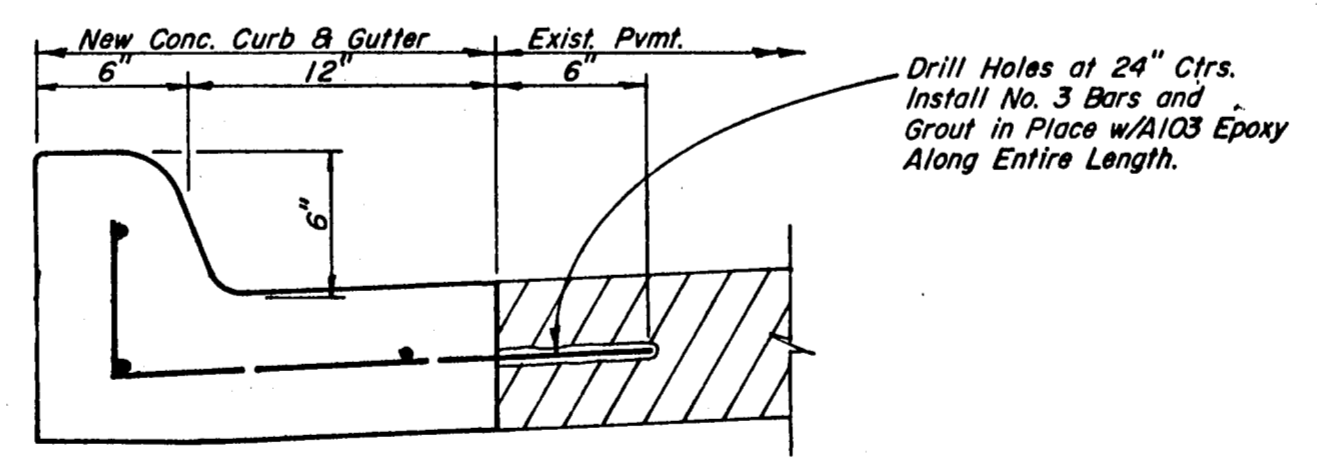


QUANTITIES

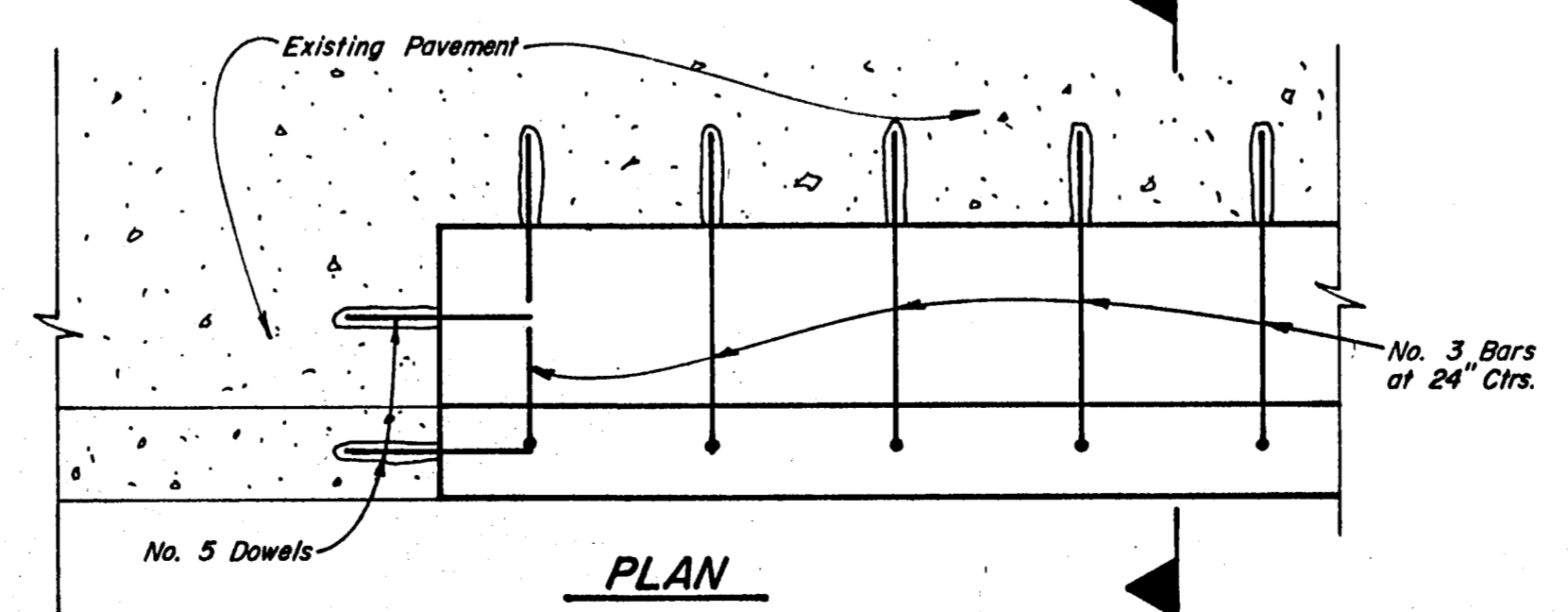
ITEM #	DESCRIPTION	APPROX. QTY.	UNIT
104.1	SAWCUT EXIST. PAVEMENT	254	LF
104.2	REMOVING OLD PAVEMENT	41	SY
360.5	6" DOWELED CURB & GUTTER	245	LF



**TYPICAL PAVEMENT REMOVAL DETAIL**  
NO SCALE

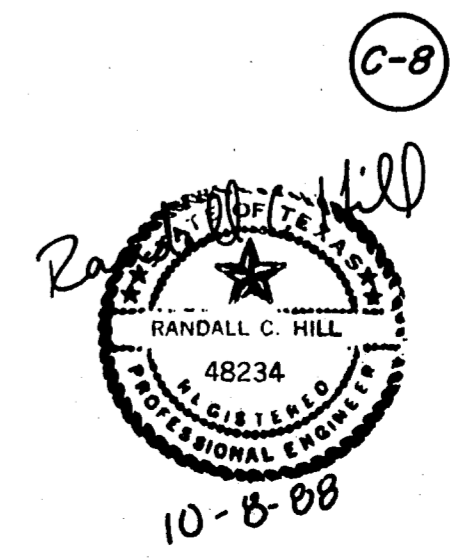


**SECTION**



**CURB CONNECTION DETAIL**  
NO SCALE

**RECORD DRAWING**



No.	Revision	By	Date
TOWN OF ADDISON DALLAS COUNTY, TEXAS MISC. PAVEMENT IMPROVEMENTS MIDWAY ROAD STA. 50+00 to BELTLINE ROAD GINN, INC. Consulting Engineers Dallas, Texas			
Designed - RCH	Drawn - DEM	Date - JULY, 1988	Job No. - 87372
Approved - HWG	Checked - RCH	Scale - 1" = 20'	Sheet 8 of 16