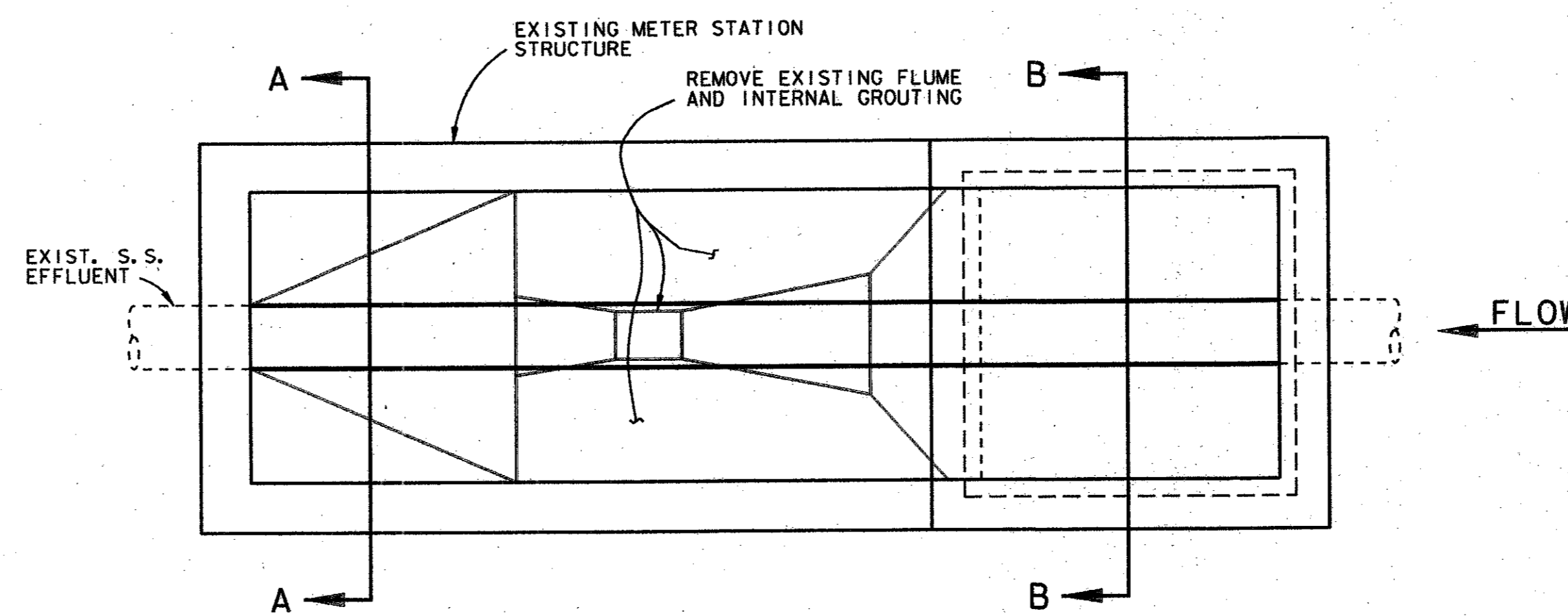
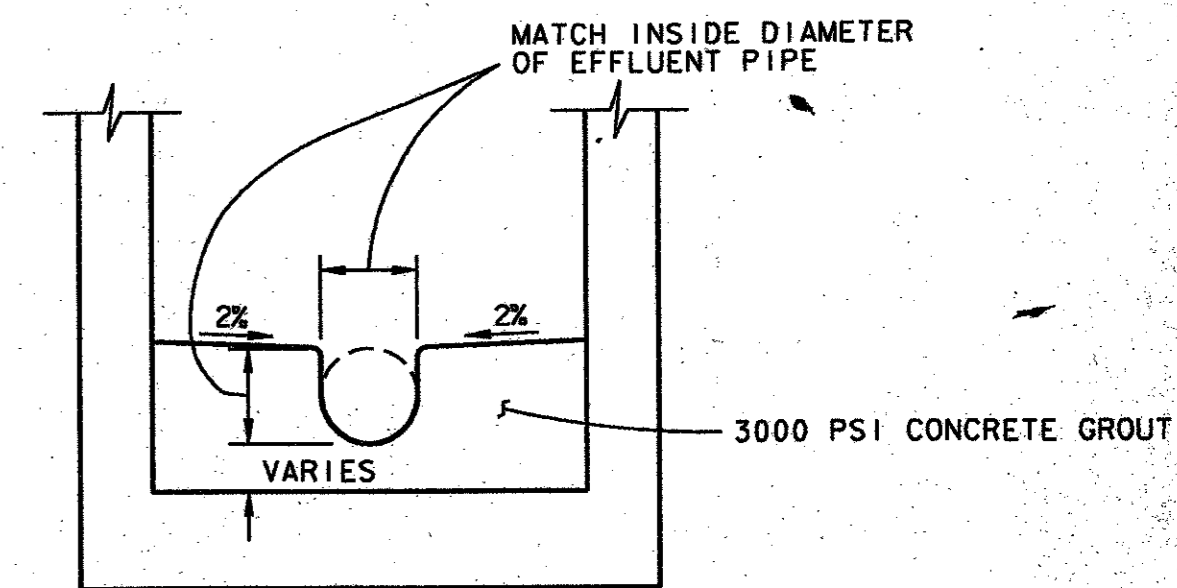


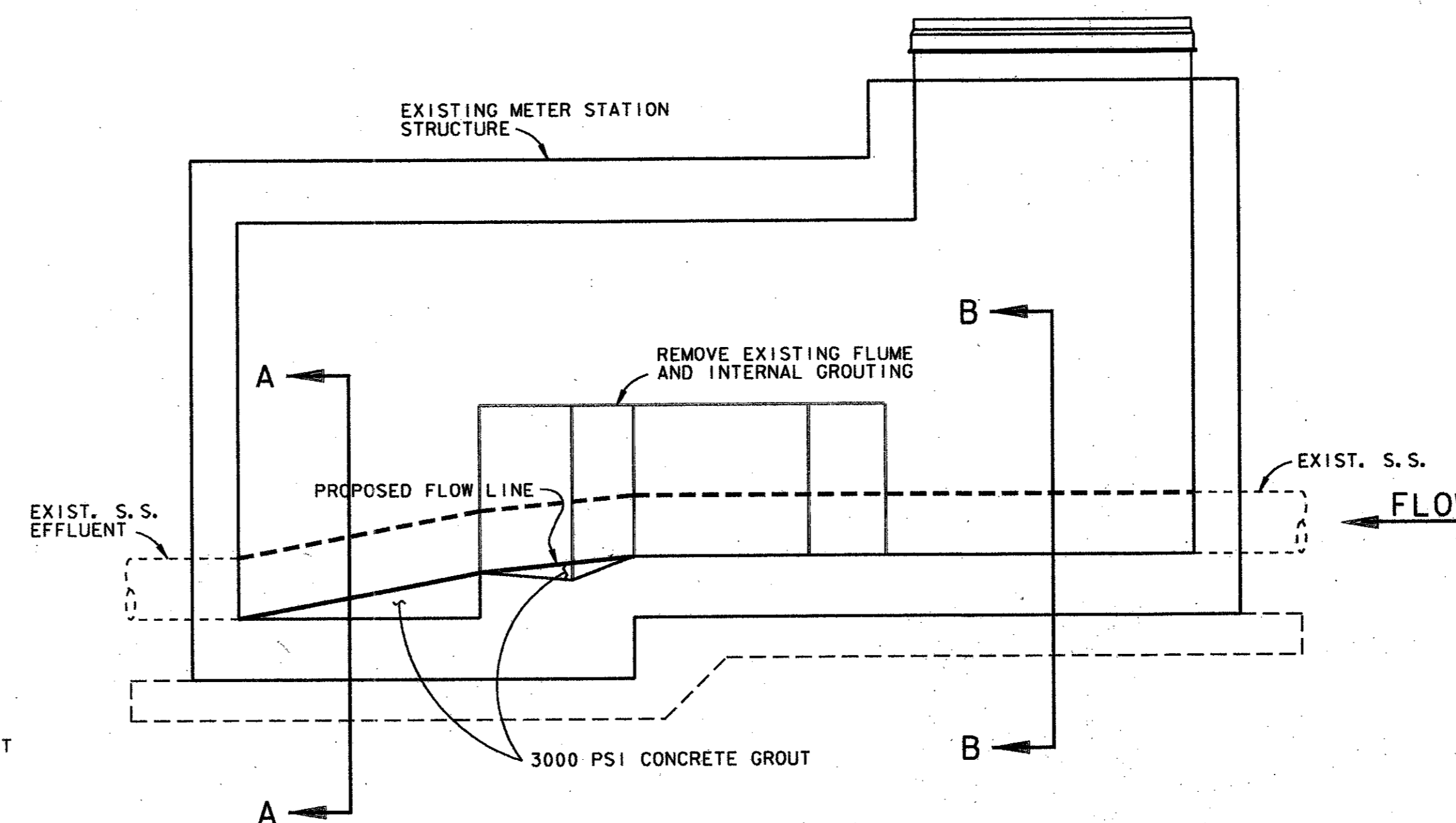
ABANDONMENT OF EXISTING LIFT STATION



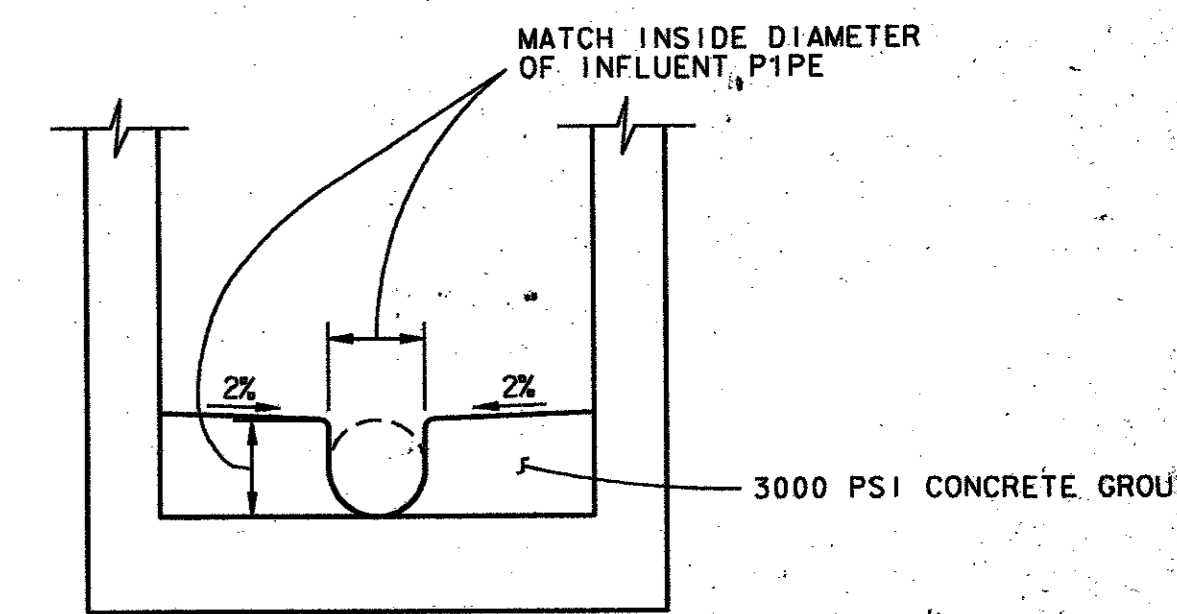
- NOTES:**
- 1) CONTRACTOR SHALL COMPLETELY REMOVE ALL FLOW METER EQUIPMENT FROM EXISTING METER STATION. THE FLOW METER SHALL BE CLEANED AND RETURNED TO THE CITY OF ADDISON FOR SALVAGE.
 - 2) CONTRACTOR SHALL COMPLETELY REMOVE EXISTING FLUME AND ALL ASSOCIATED GROUTING AND SHALL PROPERLY CLEAN EXISTING STRUCTURE PRIOR TO PLACING PROPOSED GROUT.



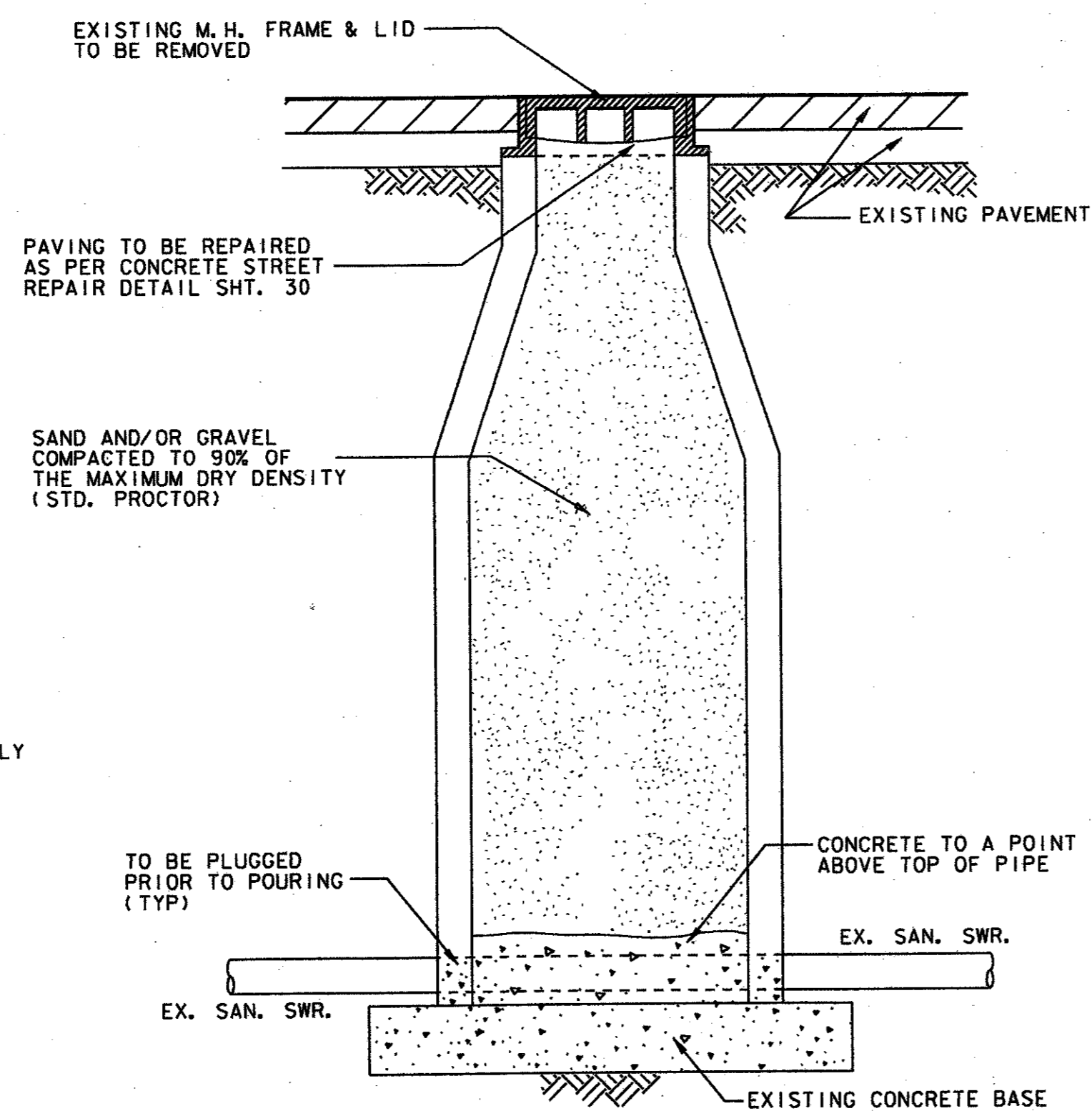
SECTION A-A



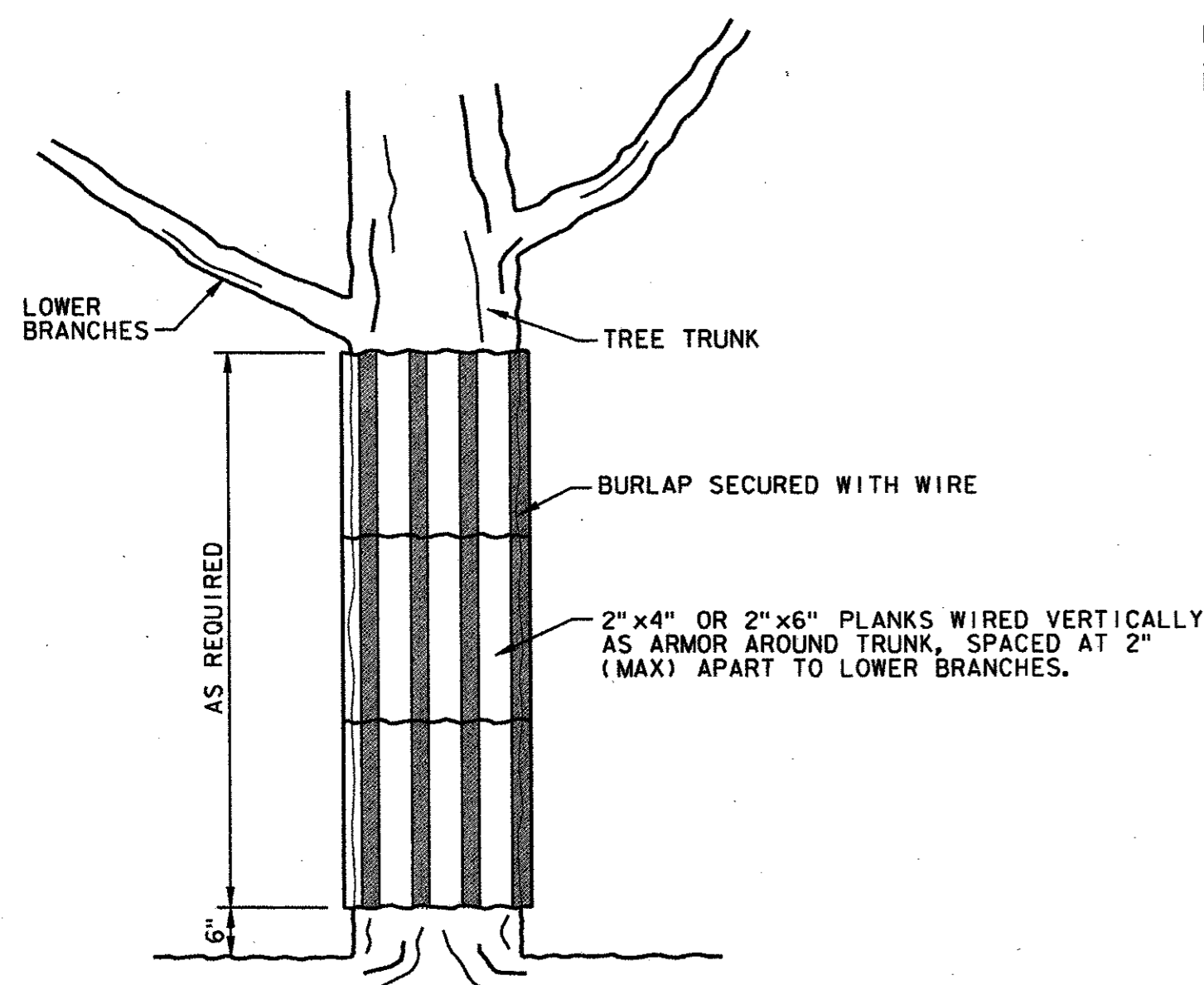
EXISTING METER STATION MODIFICATION DETAIL
BROOKHAVEN WEST M. S.
BROOKHAVEN EAST M. S.



SECTION B-B

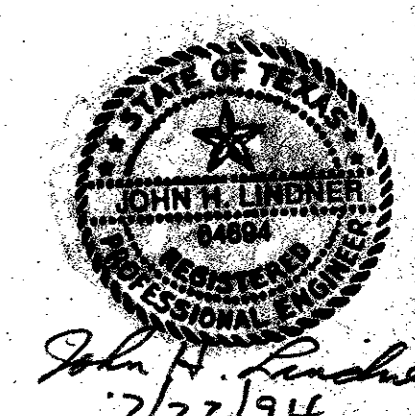


ABANDONMENT OF EXISTING MANHOLE IN PAVEMENT



TREE PROTECTION DETAIL

Handwritten signature and date:
7/22/94



NO.	DATE	REVISION	APPROV.
4			
3			
2			
1			

TOWN OF ADDISON, TEXAS
MARSH LANE SEWER INTERCEPTOR
SANITARY SEWER DETAILS
()

Carter Burgess
Consultants in Engineering, Architecture,
Planning and the Environment
CARTER & BURGESS, INC.
7950 EMBROOK DRIVE, SUITE 250
DALLAS, TX 75247-4961

Unit	Scale	1"=2'	Date	07-22-94
Designed	D. Dezen	Checked	J. Lindner	Job No. 93315401D
Drawn	B. Sowell	Approved	J. Lindner	Sheet 29 of 32