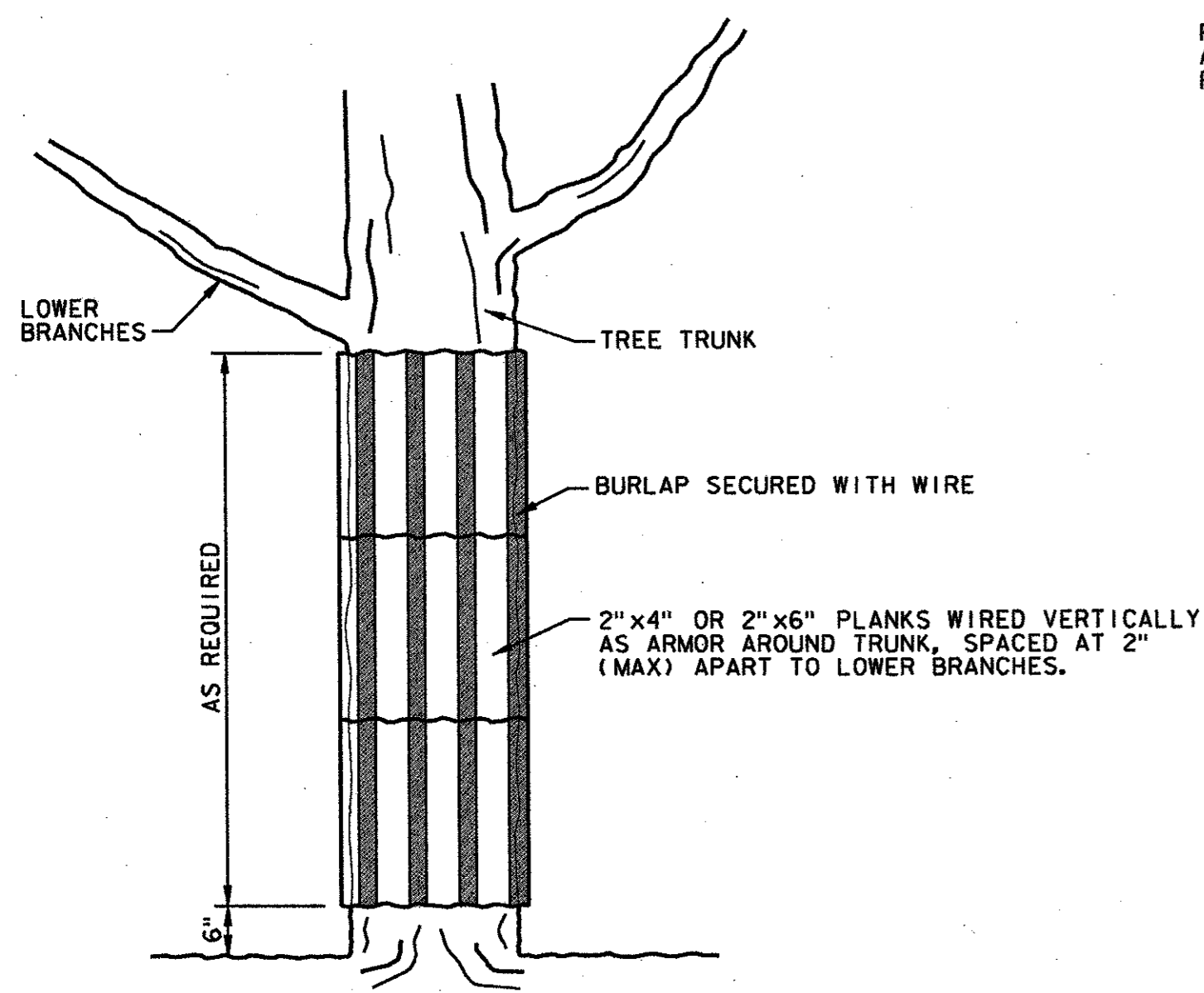
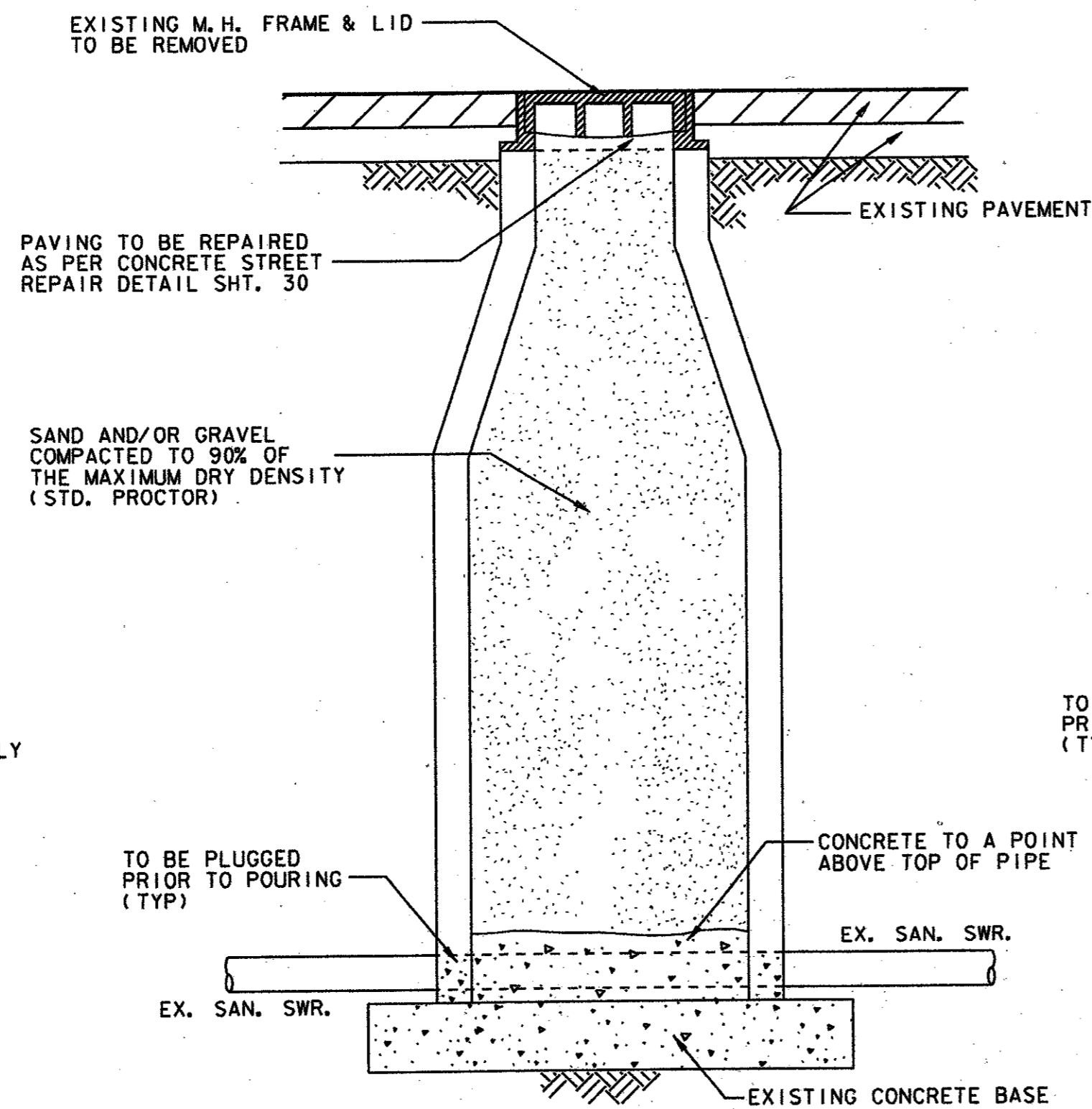


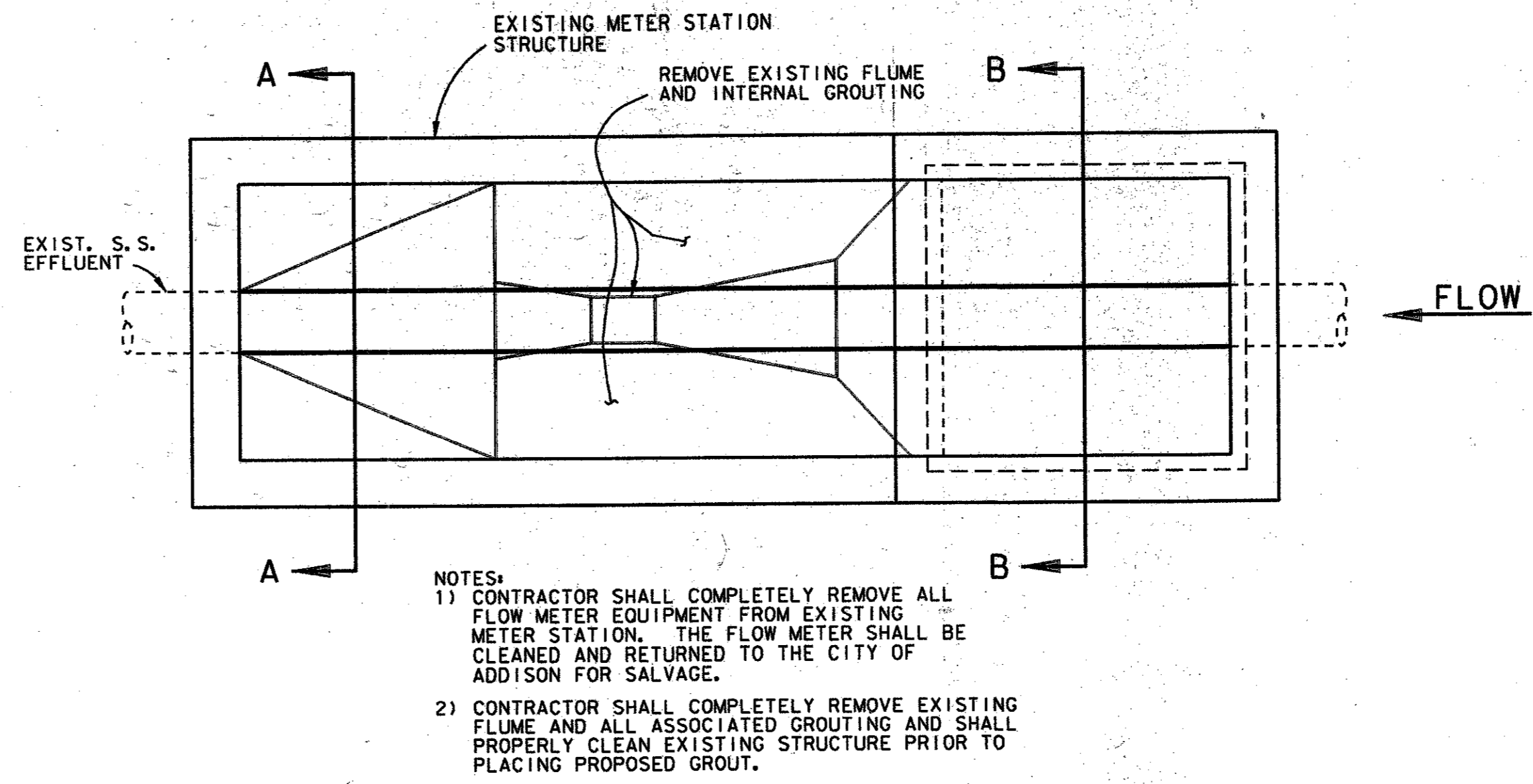
**ABANDONMENT OF EXISTING LIFT STATION**



**TREE PROTECTION DETAIL**

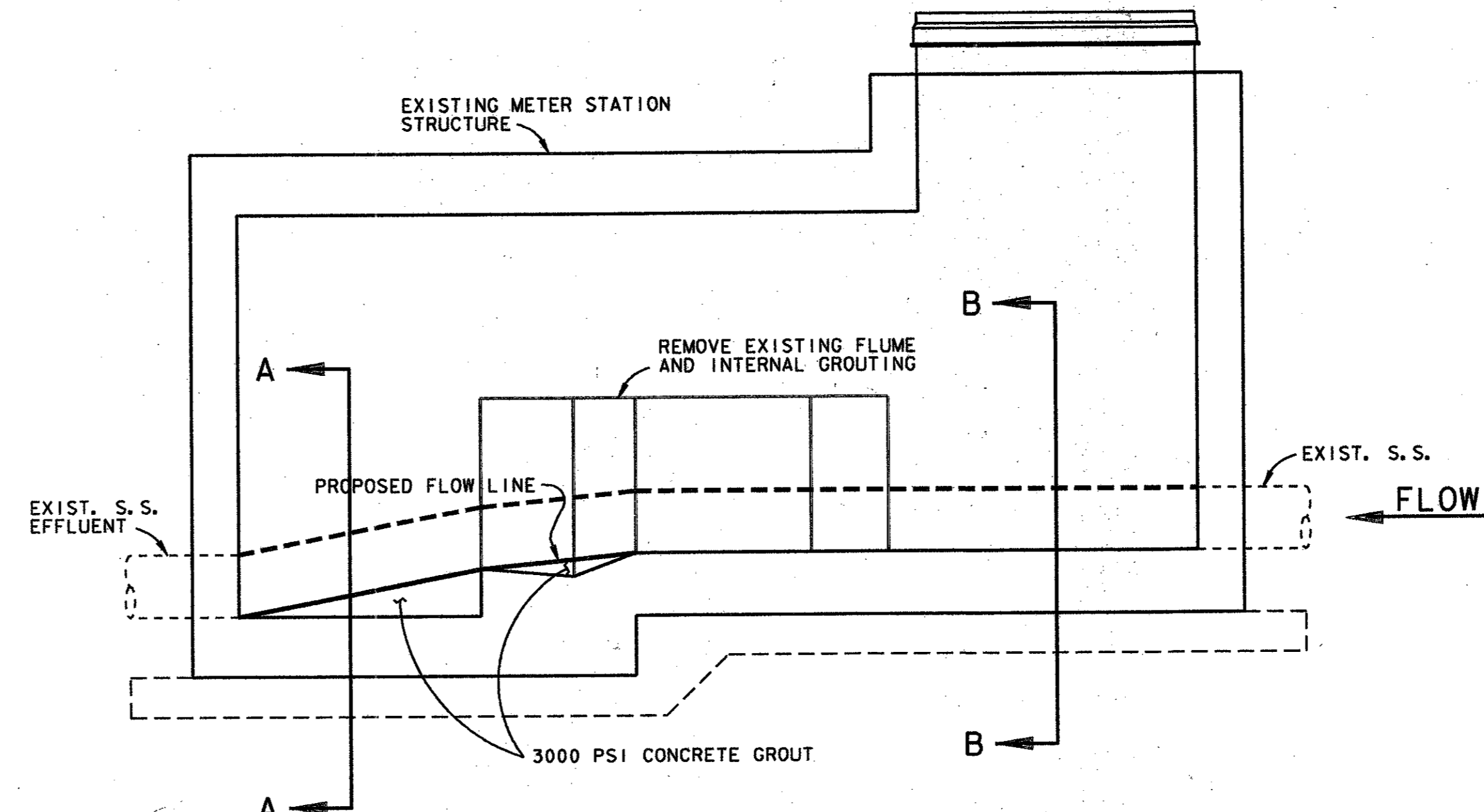


**ABANDONMENT OF EXISTING MANHOLE IN PAVEMENT**

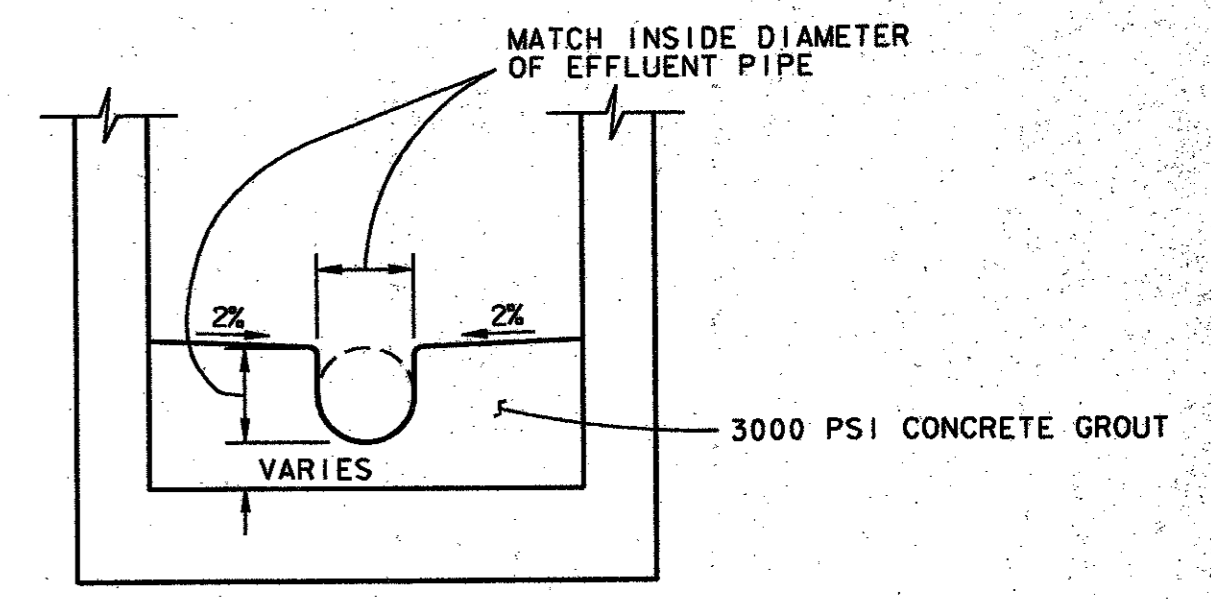


**NOTES:**  
 1) CONTRACTOR SHALL COMPLETELY REMOVE ALL FLOW METER EQUIPMENT FROM EXISTING METER STATION. THE FLOW METER SHALL BE CLEANED AND RETURNED TO THE CITY OF ADDISON FOR SALVAGE.  
 2) CONTRACTOR SHALL COMPLETELY REMOVE EXISTING FLUME AND ALL ASSOCIATED GROUTING AND SHALL PROPERLY CLEAN EXISTING STRUCTURE PRIOR TO PLACING PROPOSED GROUT.

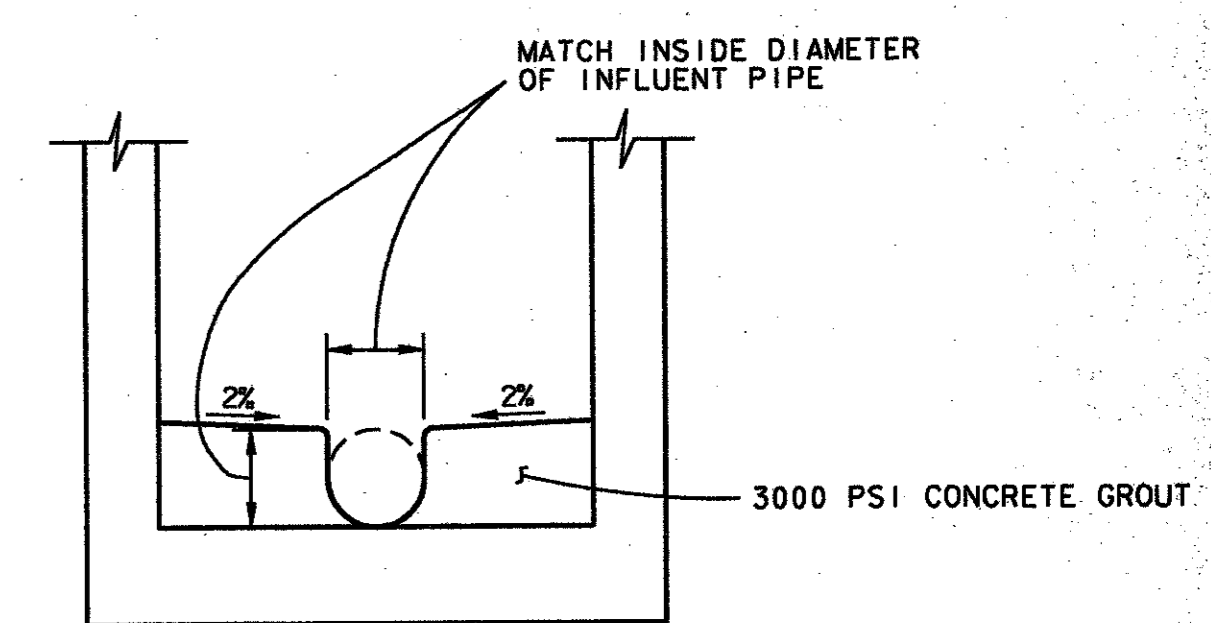
**EXISTING METER STATION MODIFICATION DETAIL**  
 BROOKHAVEN WEST M. S.  
 BROOKHAVEN EAST M. S.



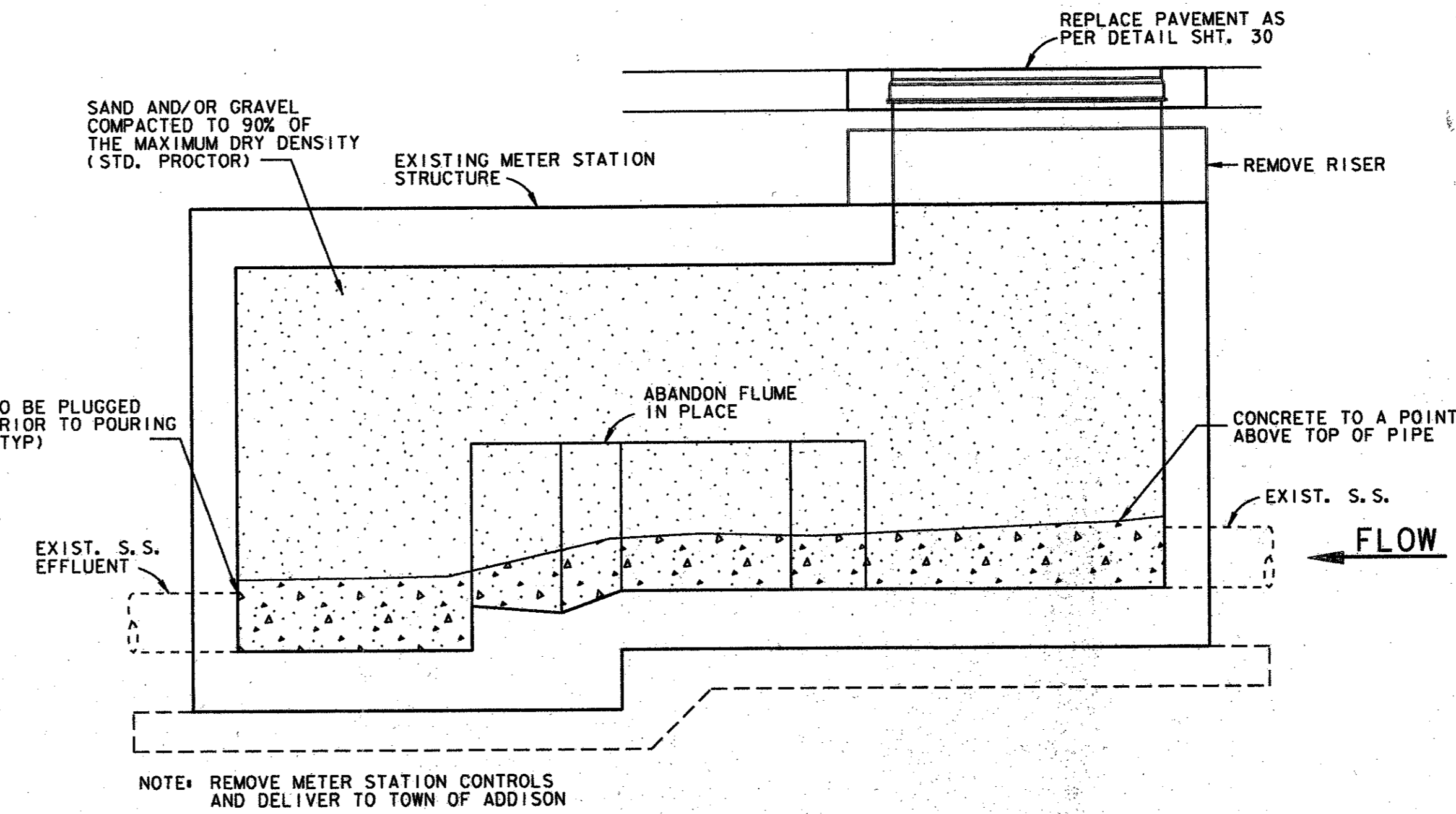
**EXISTING METER STATION ABANDONMENT DETAIL**



**SECTION A-A**



**SECTION B-B**



**NOTE:** REMOVE METER STATION CONTROLS AND DELIVER TO TOWN OF ADDISON

STATE OF TEXAS  
 JOHN H. LINDNER  
 64694  
 REGISTERED PROFESSIONAL ENGINEER  
 8/23/94

4			
3			
2			
1	8/23/94	ADDED METER STATION ABANDONMENT DETAIL	J. H. L.
NO.	DATE	REVISION	APPROV.
<b>TOWN OF ADDISON, TEXAS</b>			
<b>MARSH LANE SEWER INTERCEPTOR</b>			
<b>SANITARY SEWER DETAILS</b>			
( )			
<b>Carter Burgess</b>			
<small>Consultants in Engineering, Architecture, Planning and the Environment CARTER &amp; BURGESS, INC. 7900 EMBROOK DRIVE, SUITE 250 DALLAS, TX 75247-4961</small>			
Unit	Scale	1"=2'	Date 07-22-94
Designed	D. Dezen	Checked	J. Lindner
Job No.	93315401D		
Drawn	B. Sowls	Approved	J. Lindner
Sheet	29 of 32		