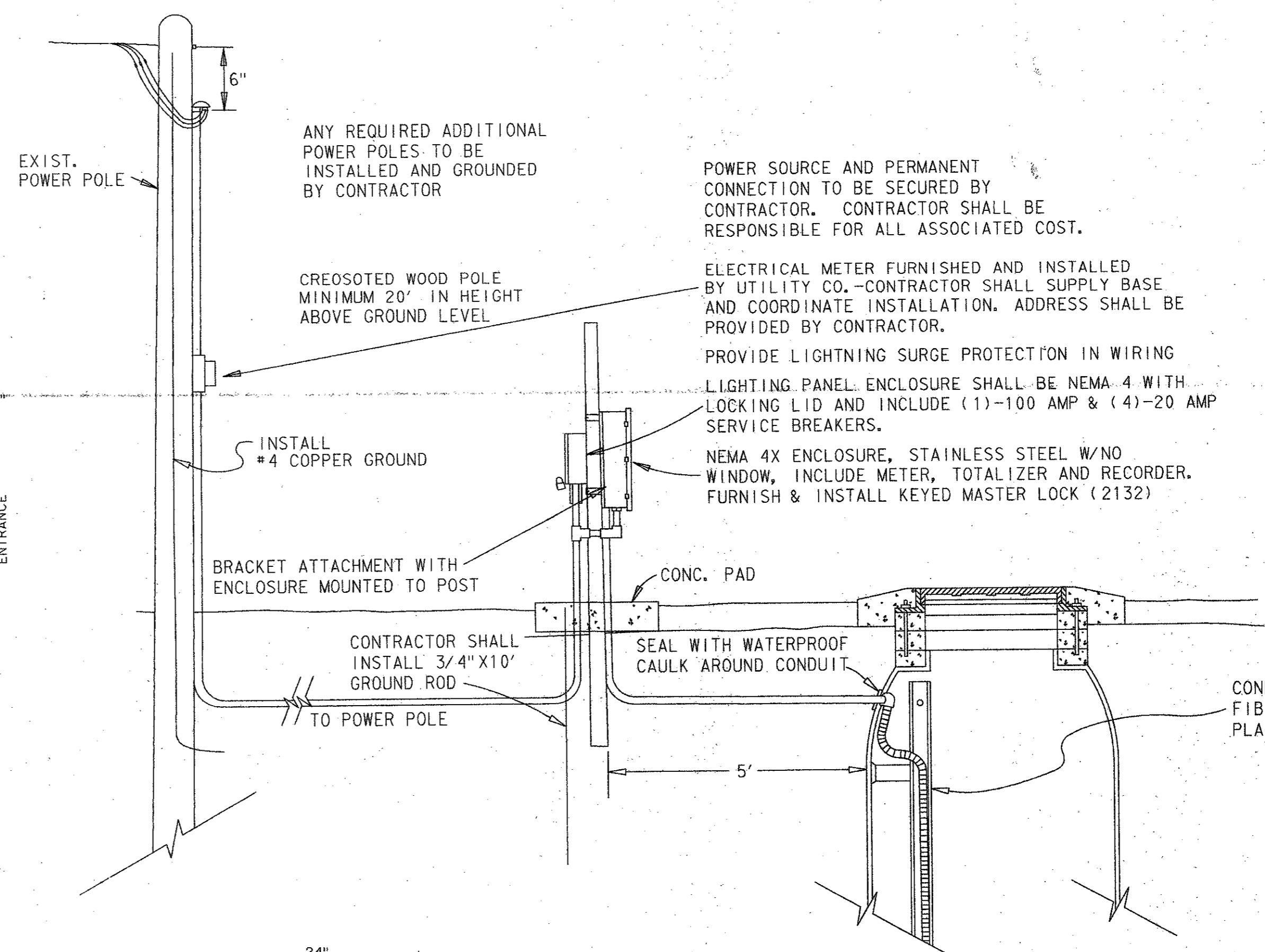
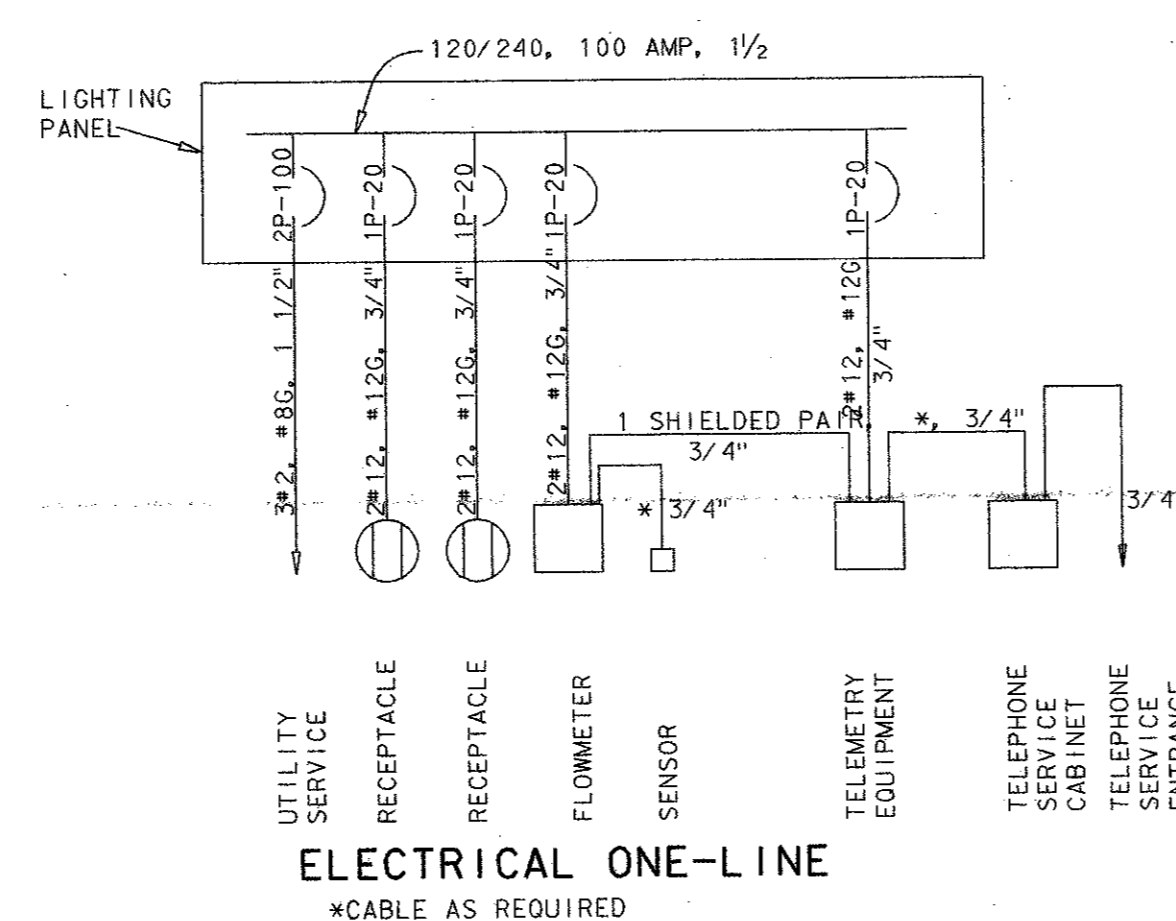
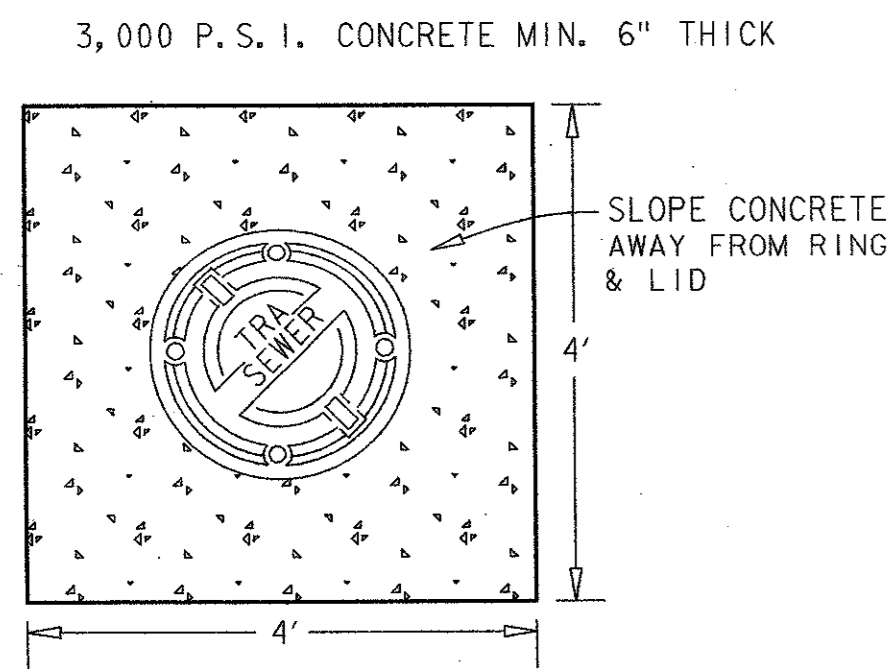
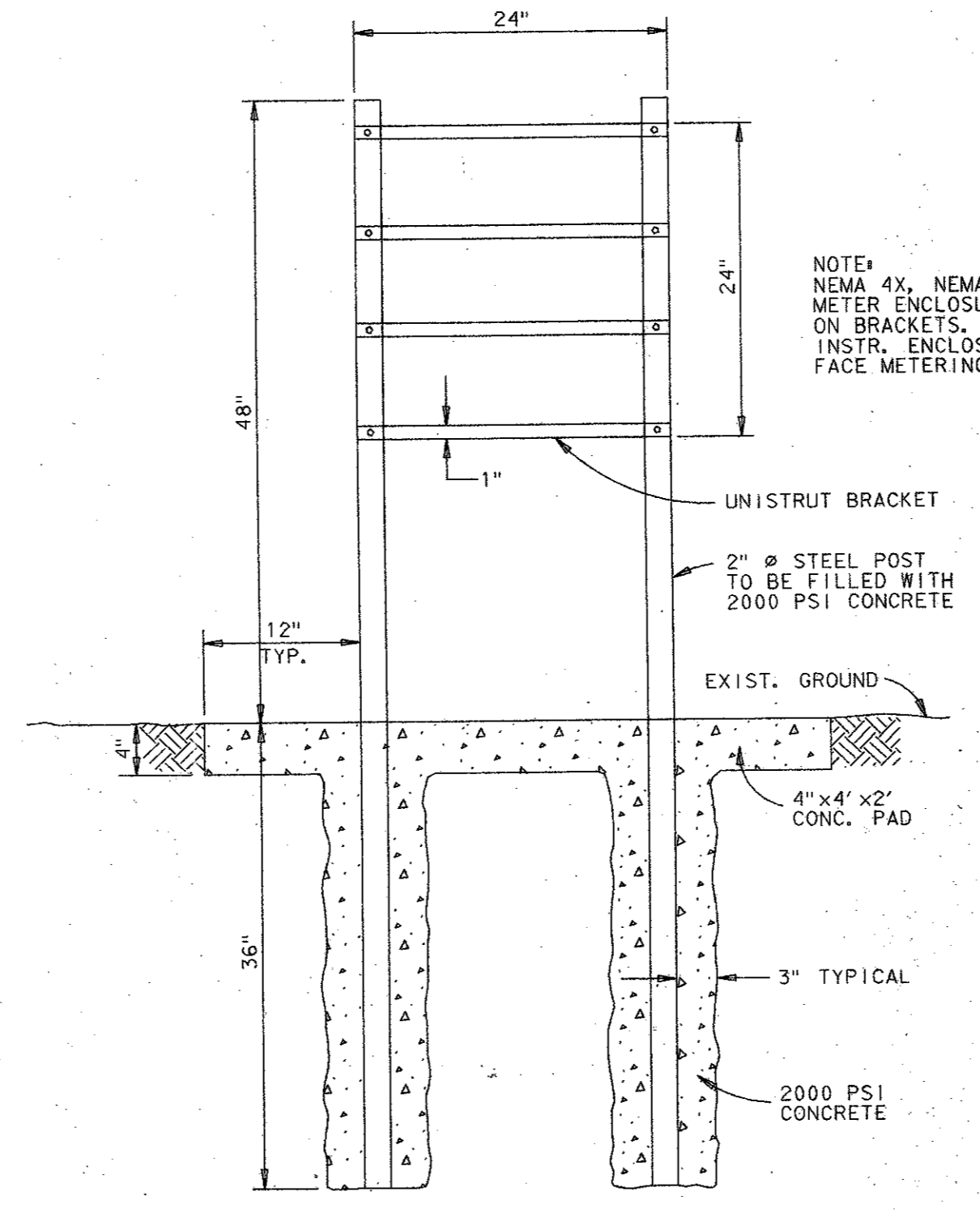
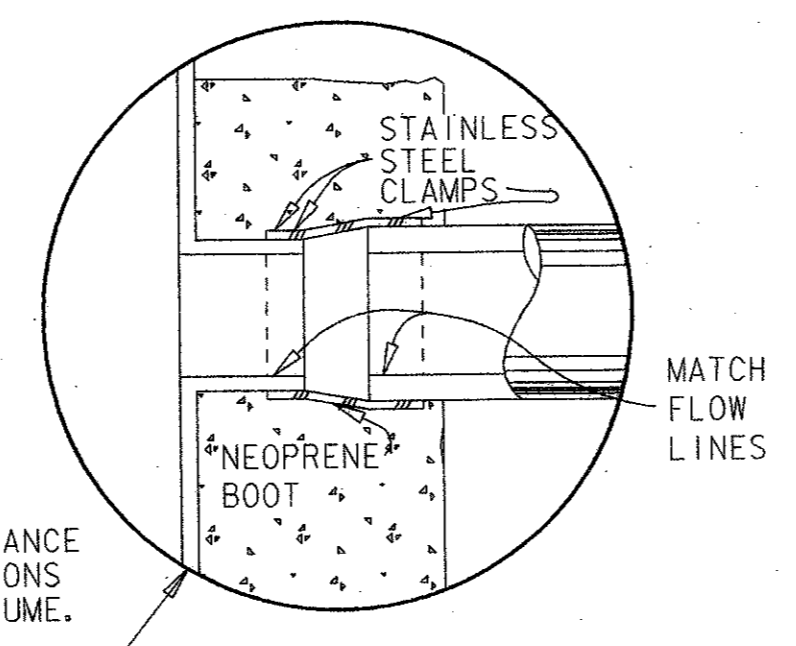
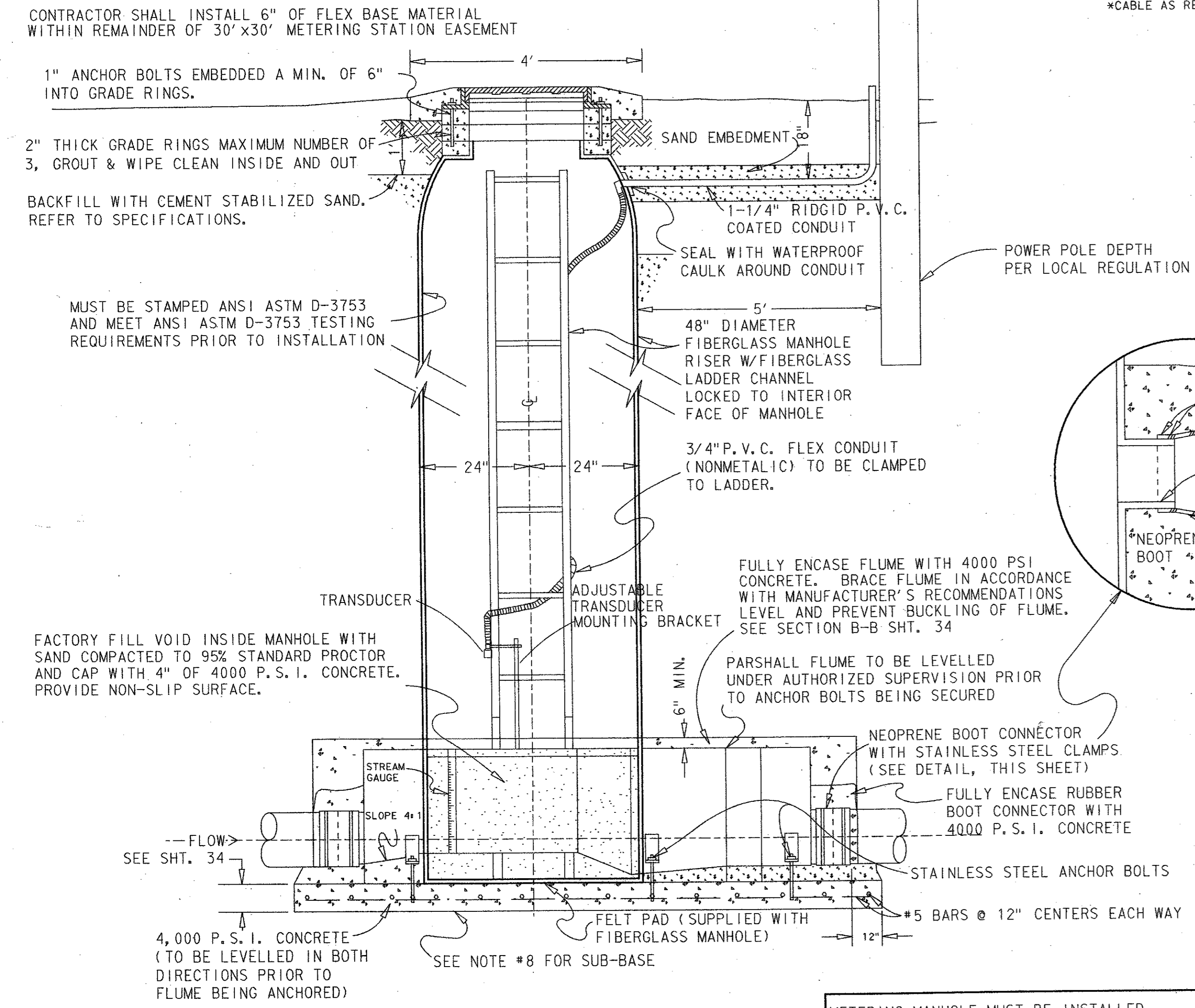


SCHEDULE OF NOMINAL REINFORCING STEEL DIA.	
#4	1/2"
#5	5/8"
#6	3/4"



TO AVOID METAL FILINGS SHORT CIRCUITING COMPONENTS, REMOVE THE ELECTRONIC ASSEMBLY FROM THE CABINET WHILE DRILLING CONDUIT ACCESS HOLES.



FLUME AND SUPERSTRUCTURE NOT TO SCALE

FLOW METERING INSTRUMENTATION & ELECTRICAL MOUNTING ALTERNATIVE NOT TO SCALE

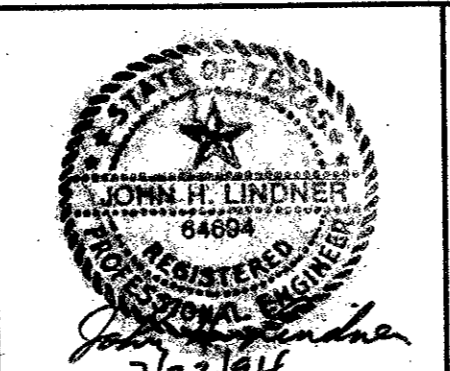
- NOTES
1. THE LUMP SUM COST FOR METER STATION INSTALLATION IN THE BID PROPOSAL SHALL INCLUDE ALL ASSOCIATED COSTS INCLUDING, BUT NOT LIMITED TO, ACCESS ROAD, LANDSCAPING, POWER, CONDUITS, FLUME, CONTROLS, MANHOLES, ETC..
 2. ALL CONCRETE FOR METERING STATION FOUNDATIONS SHALL BE CLASS "C" WITH A MINIMUM 28-DAY COMPRESSIVE STRENGTH OF 4000 PSI UNLESS OTHERWISE NOTED.
 3. ALL CAST IRON SHALL MEET ANSI A21.10.
 4. REINFORCING STEEL SHALL BE ASTM A615 GRADE 60.
 5. ALL OUTSIDE CONDUITS AND FITTINGS SHALL BE HOT DIPPED RIDGED GALVANIZED COATED CONDUIT AND SHALL HAVE A 40 MIL NOMINAL THICKNESS OF P.V.C. COATING BONDED TO THE CONDUIT, BY FLUIDIZED BED METHOD. INSIDE CONDUIT SHALL BE 3/4" P.V.C. FLEX CONDUIT NON-METALLIC CHANNEL FIXED IN PLACE WITH CONDUIT TIES.
 6. METERING STATION SHALL BE LOCATED OUT OF PUBLIC RIGHT OF WAY.
 7. ALL POWER AND/OR CONTROL CONDUCTORS SHALL BE XHHW TYPE COPPER CONDUCTORS.
 8. ENCLOSURES FOR ALL INSTRUMENTATION EQUIPMENT AND ELECTRICAL LIGHTING PANEL SHALL BE NEMA-4 WITH STAINLESS STEEL FITTINGS.
 9. CALIBRATION OF INSTRUMENTS FURNISHED SHALL BE ACCOMPLISHED BY A QUALIFIED REPRESENTATIVE OF THE MANUFACTURER OF THE INSTRUMENTS, WITH T.R.A. METERING PERSONNEL PRESENT.
 10. ROUTE SIGNAL CONDUIT ON SITE.
 11. ALL CONDUITS SHALL BE SEALED AT PANELBOARDS, JUNCTION BOXES, CONDUITS AND AT TERMINATION POINTS.
 12. A) THE SOIL UNDER THE 10" MINIMUM CONCRETE SLAB SHALL BE UNDISTURBED AND INSPECTED BY A OWNER'S REPRESENTATIVE PRIOR TO PLACEMENT OF CONCRETE.
B) IF IMPROPER SOIL CONDITIONS ARE ENCOUNTERED WHICH WOULD CREATE A POOR SUB-BASE FOR PLACEMENT OF THE 10" MINIMUM CONCRETE SLAB, THE DEPTH SHALL BE OVER-EXCAVATED AND STONE AND OR SAND SHALL BE PLACED PER ENGINEERS RECOMMENDATIONS PRIOR TO PLACEMENT OF CONCRETE.
 13. SEE METERING STATION DETAILS AND SPECIFICATIONS.

METERING MANHOLE MUST BE INSTALLED ACCORDING TO MANUFACTURER'S RECOMMENDATION

NO.	DATE	DESCRIPTION	BY

DESIGNED BY: J. Lindner
DRAWN BY: B. Sowls
CHECKED BY: J. Lindner
DATE: 07-22-94

Carter Burgess
Consultants in Engineering, Architecture, Planning and the Environment
CARTER & BURGESS, INC.
7950 ELMBROOK DRIVE, SUITE 250
DALLAS, TX 75247-4961



tra
Trinity River Authority of Texas

MARSH LANE SEWER INTERCEPTOR
FIBERGLASS METERING STATION DETAILS
STRUCTURAL and ELECTRICAL

CONTRACT NO.
SHEET
31 of 32