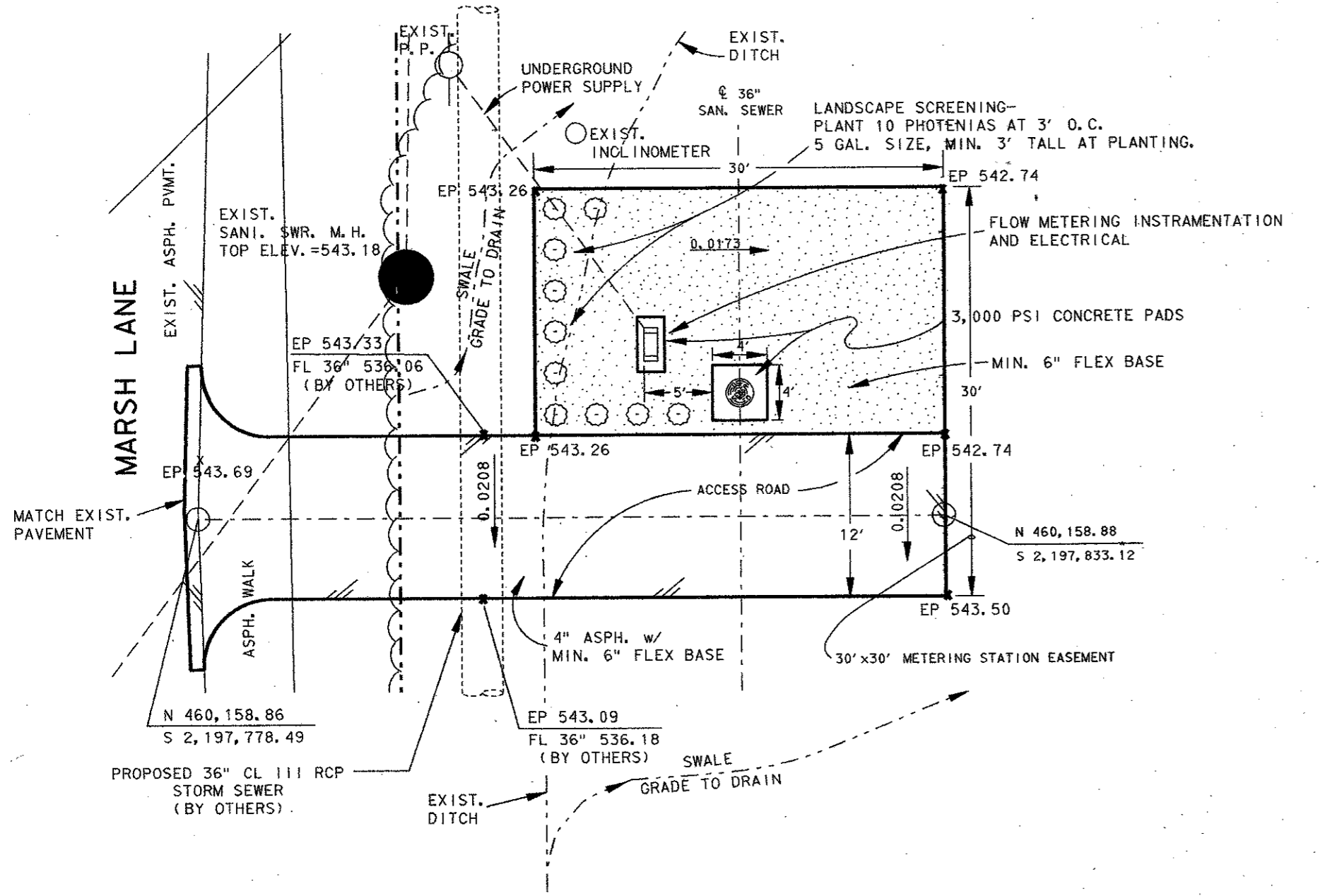
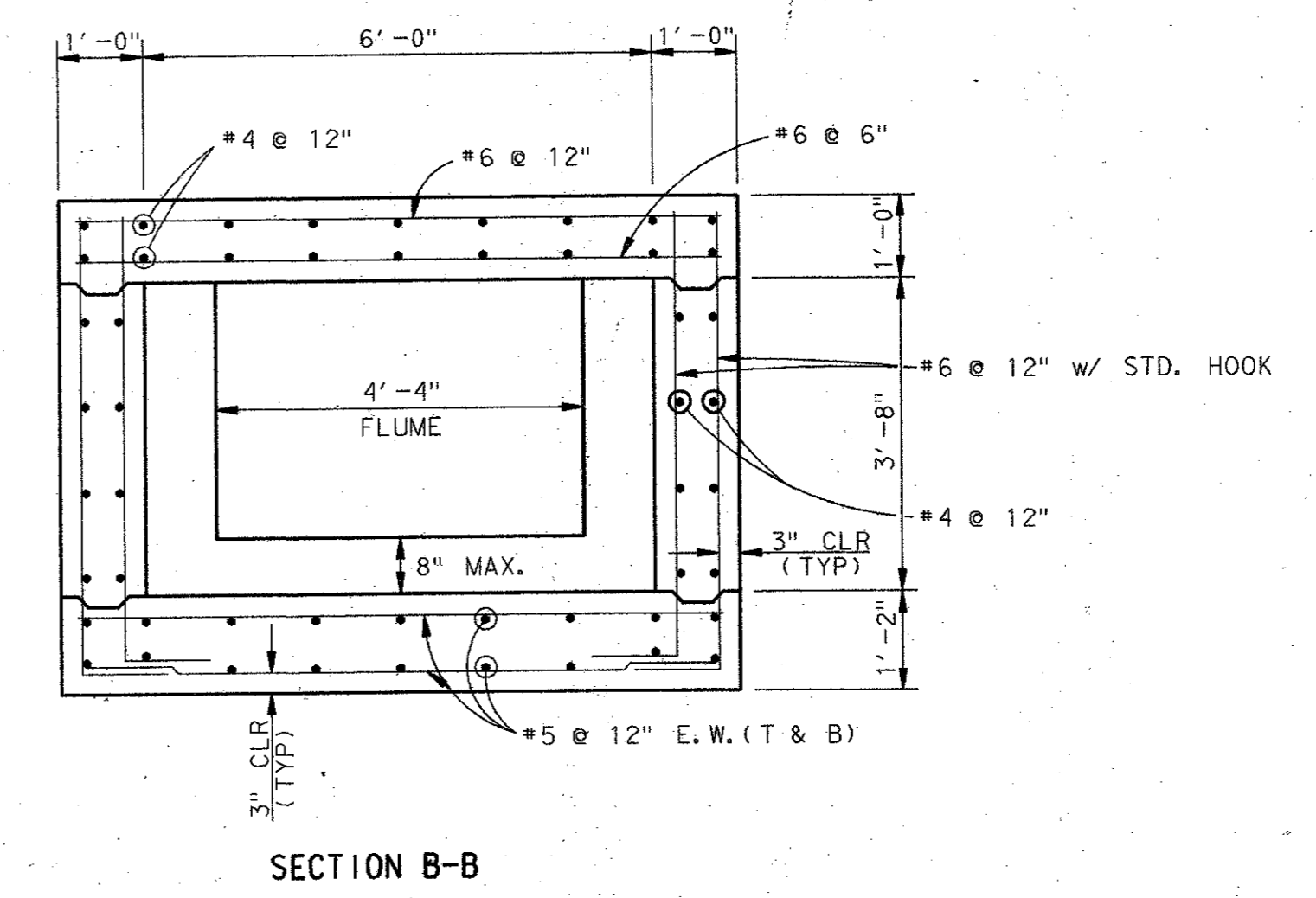
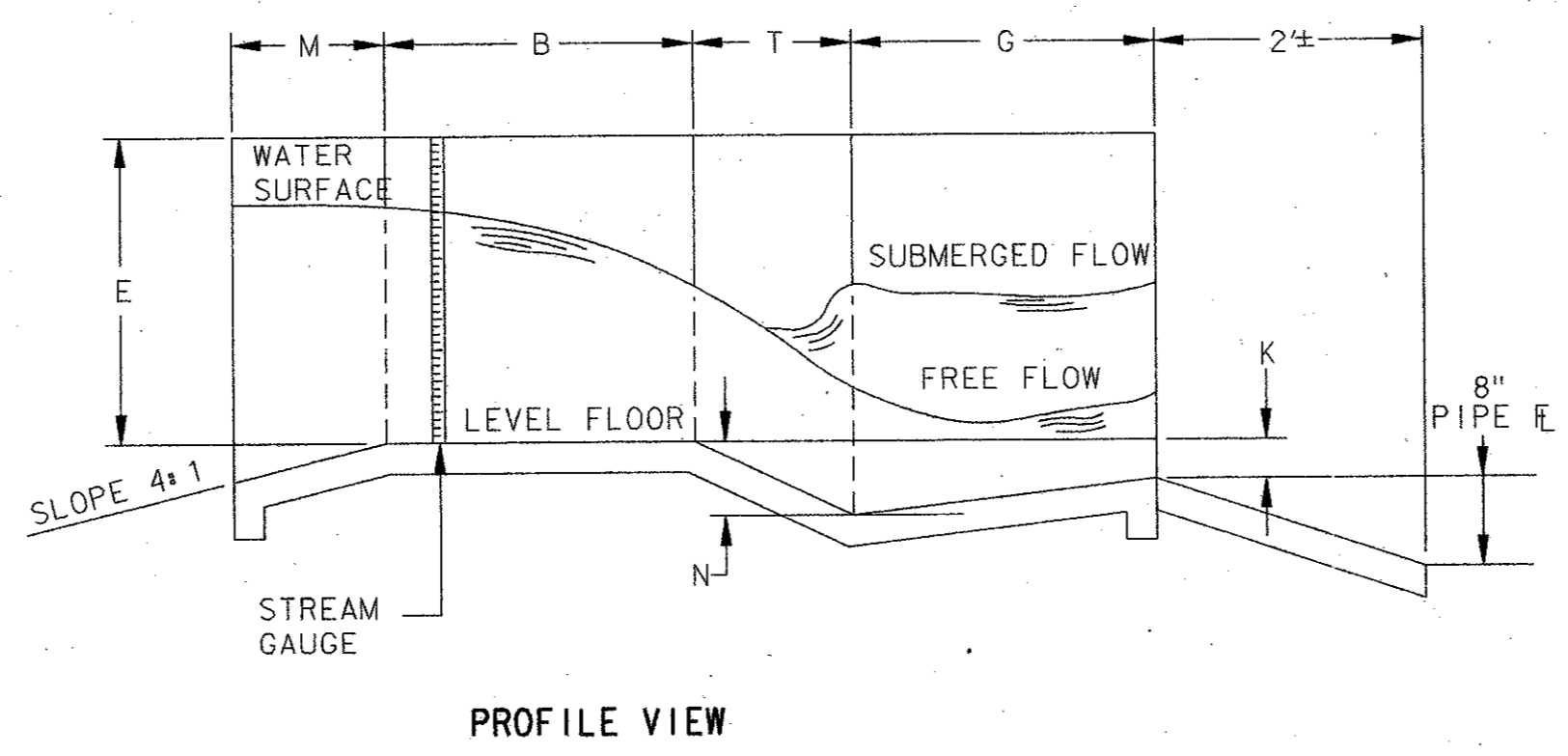
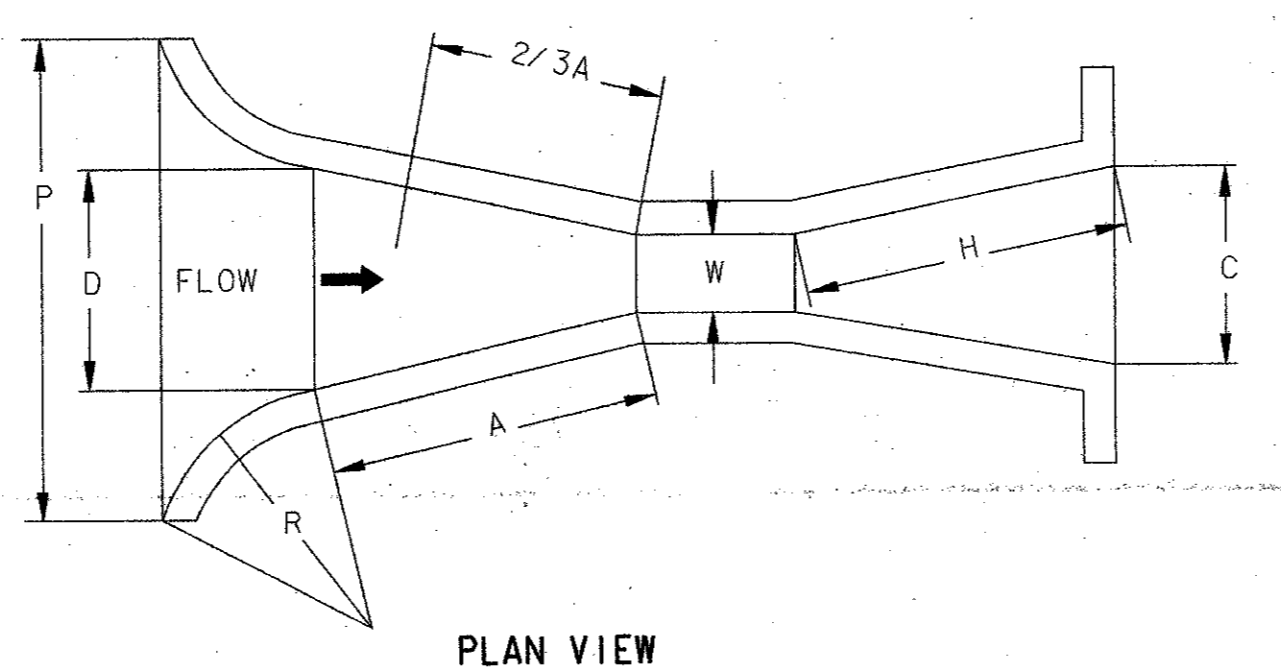
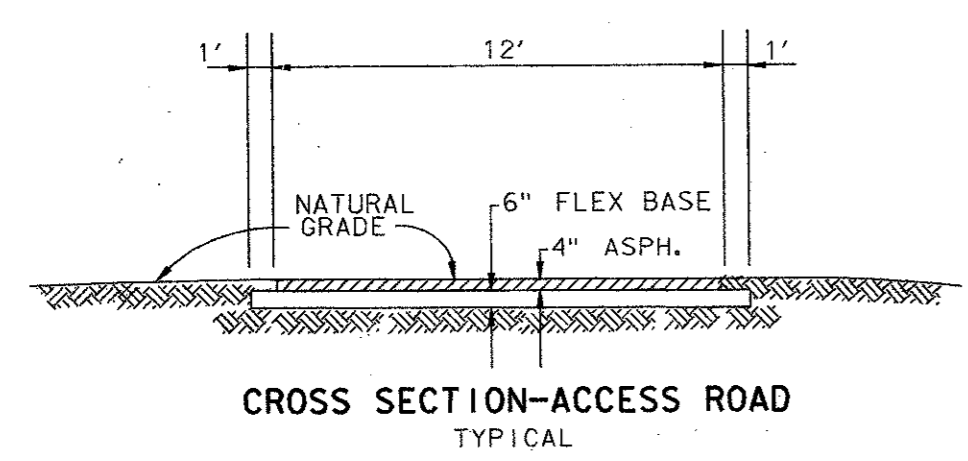
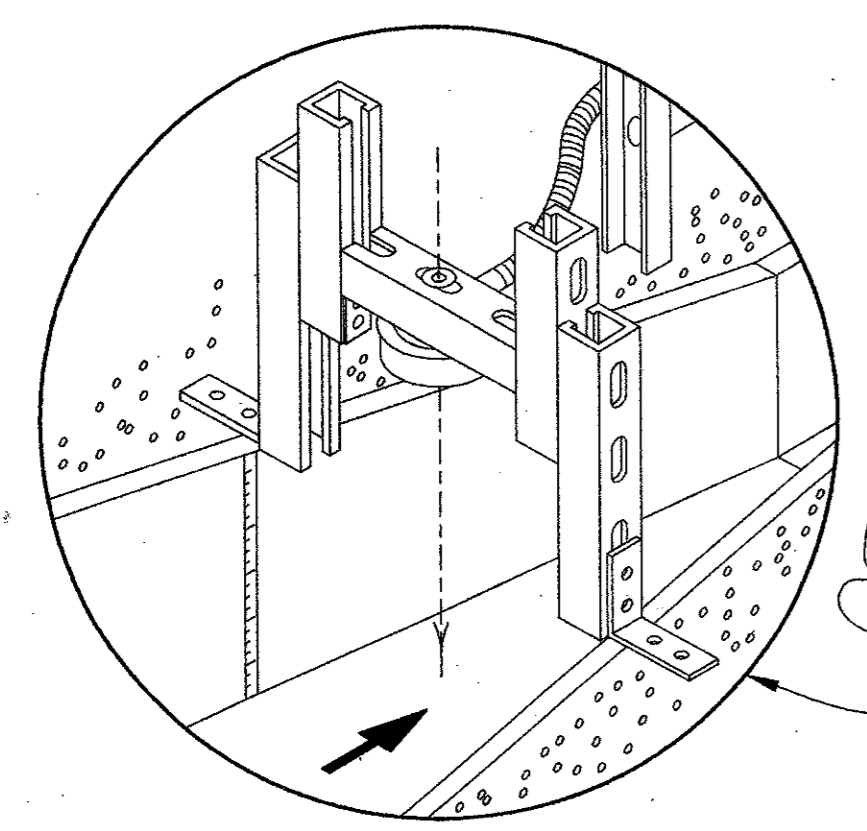
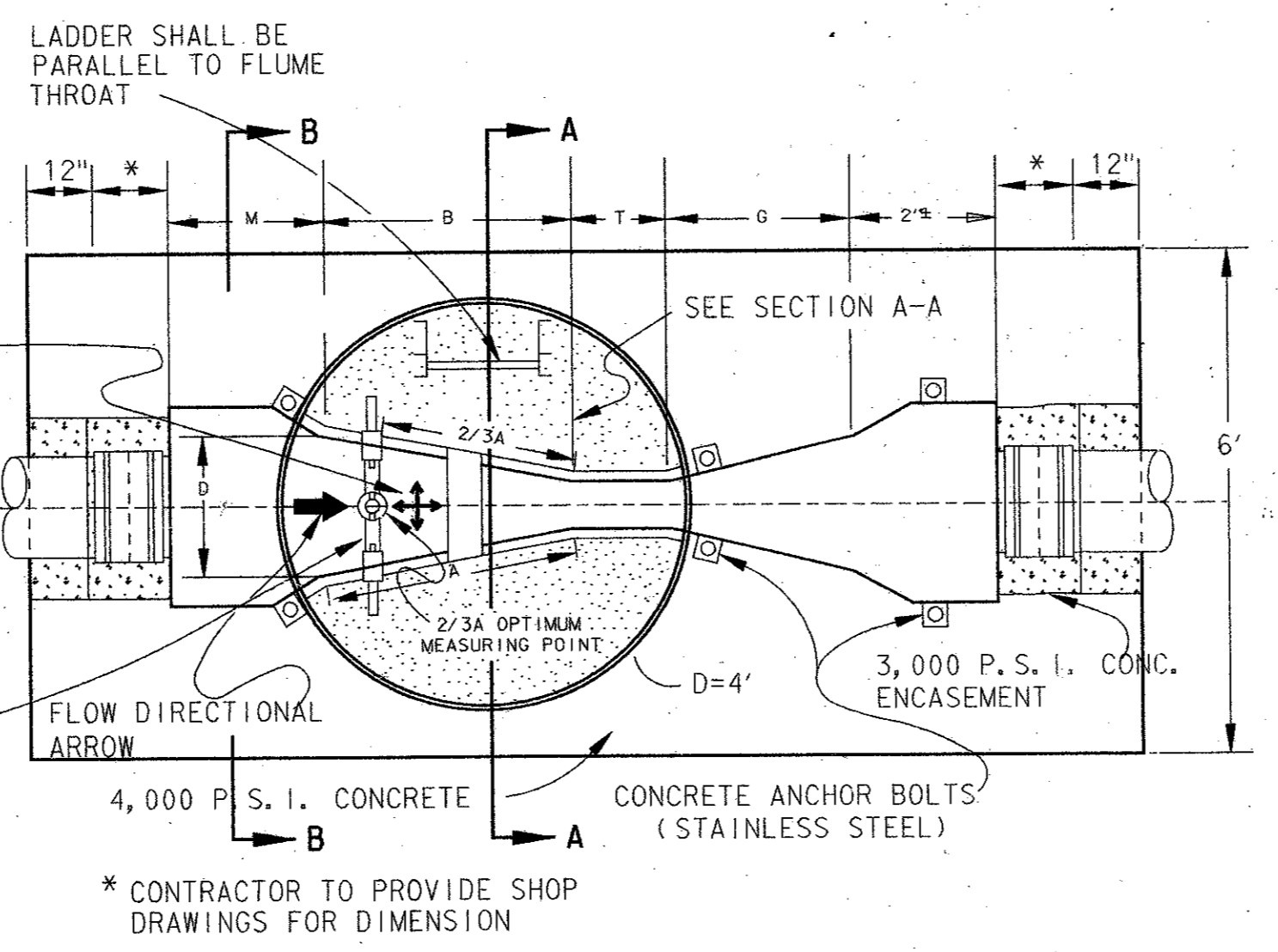


B-112

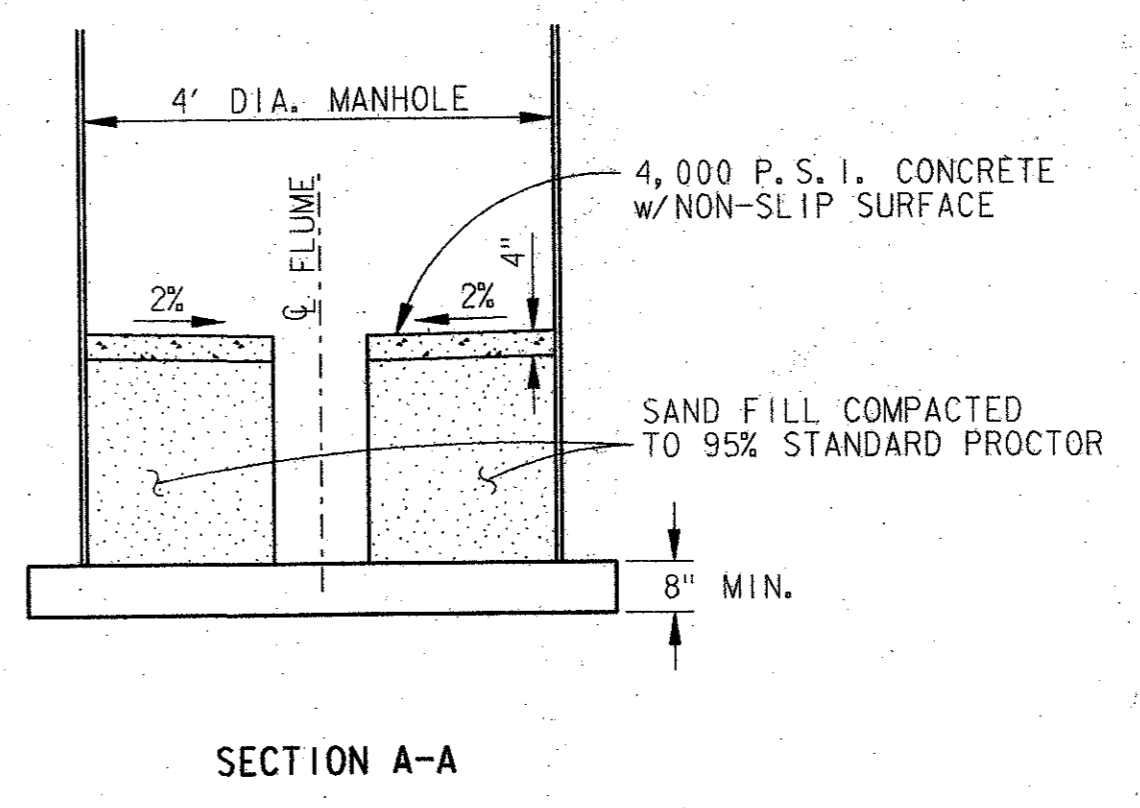


SITE PLAN-METERING STATION/ACCESS EASEMENT
1"=10'

NOTE: CONTRACTOR SHALL TAKE GREAT CARE TO INSTALL PRE-FABRICATED FIBERGLASS METER STATION WITH THE CONVERGING SECTION LEVEL IN BOTH DIRECTIONS.



ADJUSTABLE TRANSDUCER UNISTRUT MOUNTING BRACKET W/ STAINLESS STEEL ANCHOR BOLTS.



PARSHALL FLUME TABLE OF DIMENSIONS

| W | A | 2/3A | B | C | D | E | T | G | H | K | M | N | P | R | X | Y |
|---------|---------|---------|---------|---------|---------|---------|---------|---------|---------|---------|---------|---------|---------|---------|---------|---------|
| FT. IN. | FT. IN. | FT. IN. | FT. IN. | FT. IN. | FT. IN. | FT. IN. | FT. IN. | FT. IN. | FT. IN. | FT. IN. | FT. IN. | FT. IN. | FT. IN. | FT. IN. | FT. IN. | FT. IN. |
| 1 6 4 | 9 3 2 | 4 7 7/8 | 2 6 3 | 4 3/4 | 3 0 | 2 0 | 3 0 | 1 1/2 | 0 3 1 | 3 0 | 9 5 | 6 1 | 8 0 | 2 0 | 3 | |

| NO. | DATE | DESCRIPTION | BY |
|-----|------|-------------|----|
| | | | |
| | | | |
| | | | |

DESIGNED BY: J. Lindner
 DRAWN BY: B. Sowell
 CHECKED BY: J. Lindner
 DATE: 07-22-94

Carter-Burgess
 Consultants in Engineering, Architecture,
 Planning and the Environment
 CARTER & BURGESS, INC.
 7950 ELMBROOK DRIVE, SUITE 250
 DALLAS, TX 75247-4961



Trinity River Authority of Texas

MARSH LANE SEWER INTERCEPTOR

FIBERGLASS METERING STATION DETAILS
 ALTERNATE BID LIFT STATION

CONTRACT NO.
 SHEET
 32 of 32