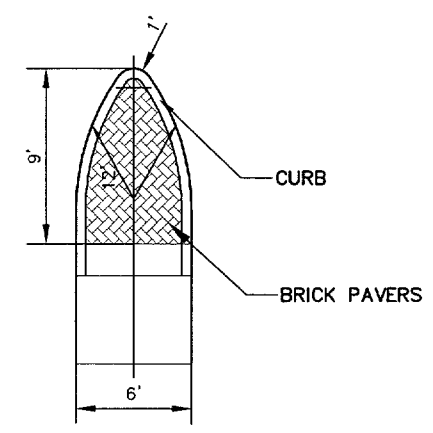
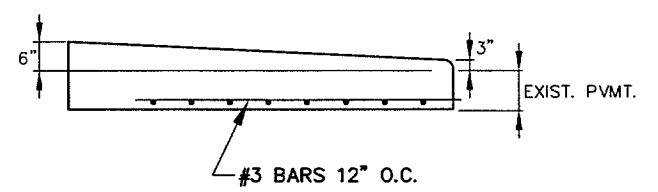


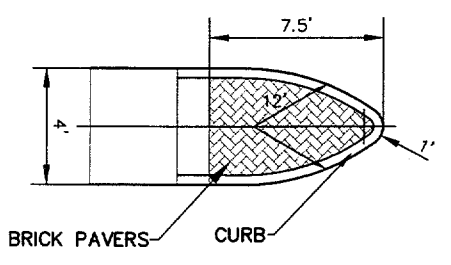
DETAIL "A" BULLET NOSE



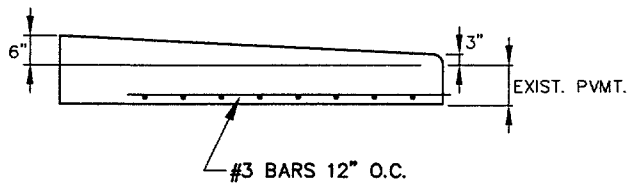
DETAIL "B" BULLET NOSE ELEVATION



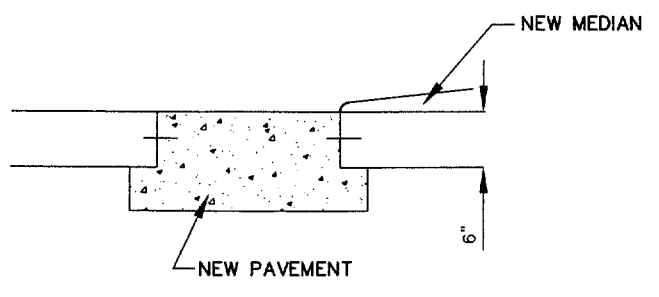
DETAIL "C" BULLET NOSE



DETAIL "D" BULLET NOSE ELEVATION



DETAIL "E" PAVEMENT INSTALLATION



NOTE:
1. ALL UNUSED BRICK PAVERS TO BE SALVAGED AND BROUGHT TO TOWN SERVICE CENTER

STATE OF TEXAS
BRIAN K. SHEVSKI
68729
REGISTERED PROFESSIONAL ENGINEER

THE SEAL APPEARING ON THIS DOCUMENT WAS AUTHORIZED BY
BRIAN K. SHEVSKI, P.E. 68729 ON JANUARY 14, 2003
ALTERATION OF A SEALED DOCUMENT WITHOUT PROPER
NOTIFICATION TO THE RESPONSIBLE ENGINEER IS AN
OFFENSE UNDER THE TEXAS ENGINEERING PRACTICE ACT.

Brian K. Shevski

**ROADWAY IMPROVEMENTS
MARSH LANE AT
TARGET DRIVEWAY**

**Kimley-Horn
and Associates, Inc.**

12700 Park Central Drive, Suite 1800 Dallas, Texas 75251 Tel. No. (972) 770-1300 Fax No. (972) 239-3820

REVISION	DATE	FED. ROAD DIV. No.	STATE AID PROJECT No.	SHEET No.
		6		

DESIGNED BY: BKS	STATE: TEXAS	STATE DIST. No.: DALLAS	COUNTY: DALLAS
DRAWN BY: DMR	CONT.: ---	SECT.: ---	JOB: ---
CHECKED BY: WK			HIGHWAY: ---
APPROVED BY: BKS			MARSH LN.

G:\PTO\Project\63543006 Addison Signal Design\CADD\ADDmedian.dwg 01/14/2003 10:45 XREF = X1117-TP10, XPAVE, XUTIL, XROAD_MED