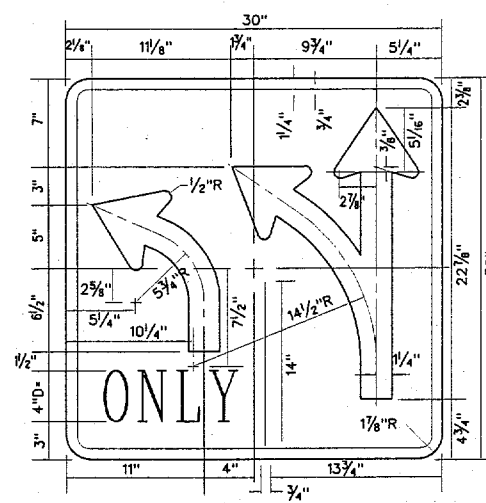
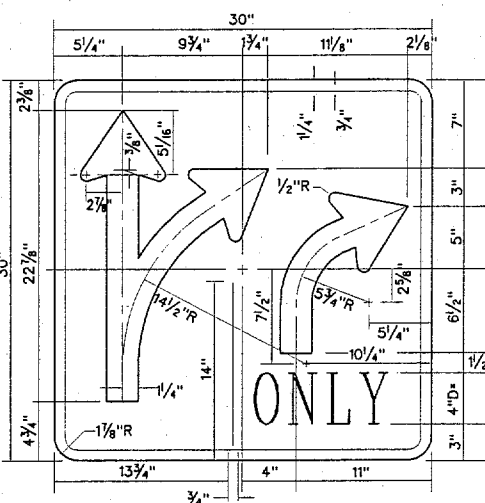


R3-8RR
30"x 30"

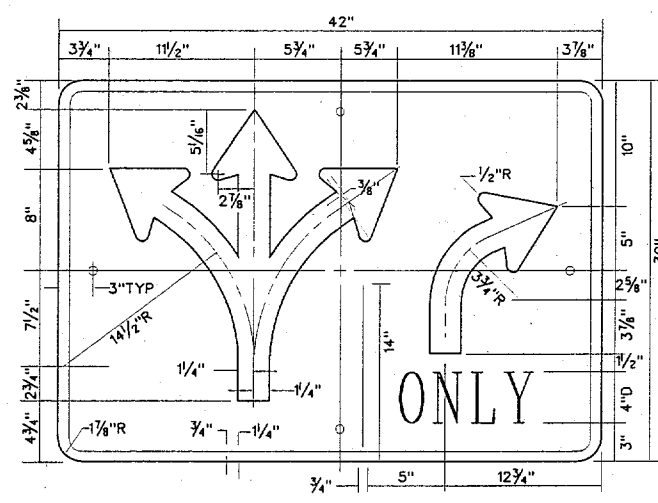


* SPACING REDUCED 50%

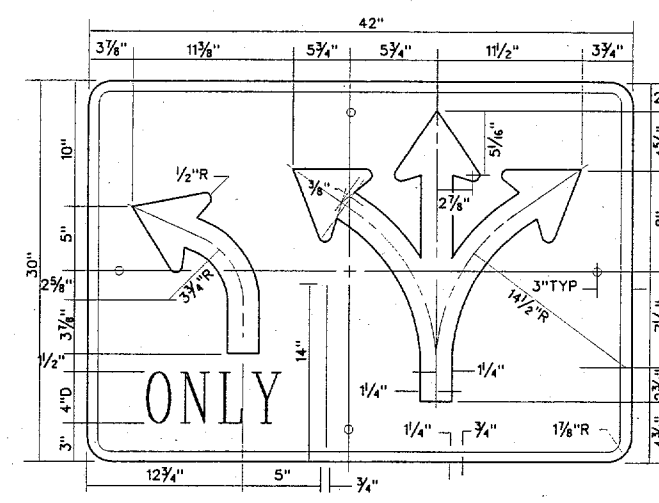
R3-8L
30"x 30"



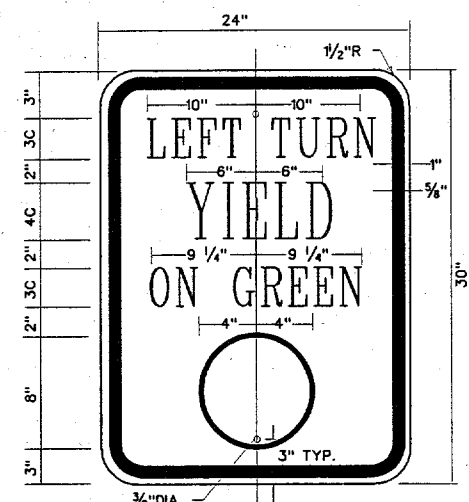
R3-8R
30"x 30"



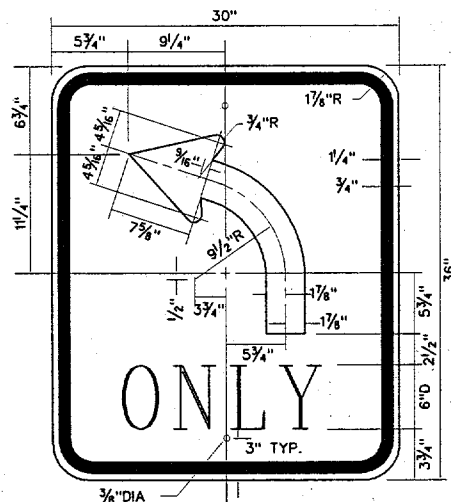
R3-8(SPL)
42"x 30"



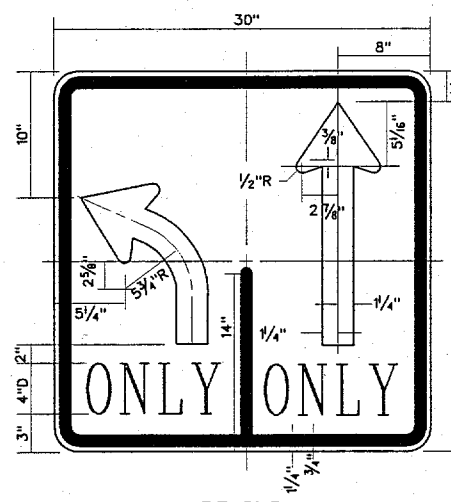
R3-8L(SPL)
42"x 30"



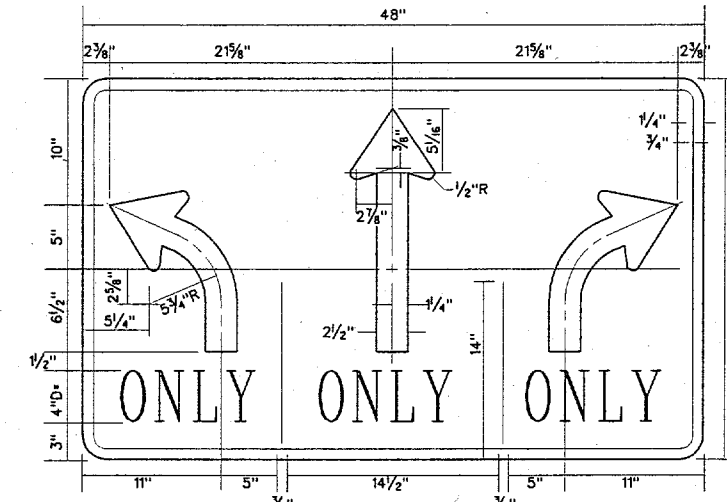
R10-12
24"x 30"
LEGEND BLACK(NON-REFLECTIVE)
BACKGROUND WHITE(REFLECTIVE)
CIRCULAR GREEN(REFLECTIVE)



R3-5L
R3-5R(RT. ARROW)
30"x 36"

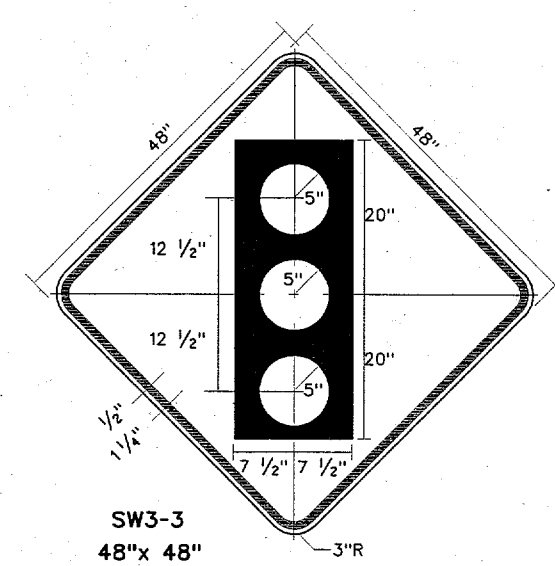


R3-8LS
30"x 30"



R3-8RSL
48"x 30"

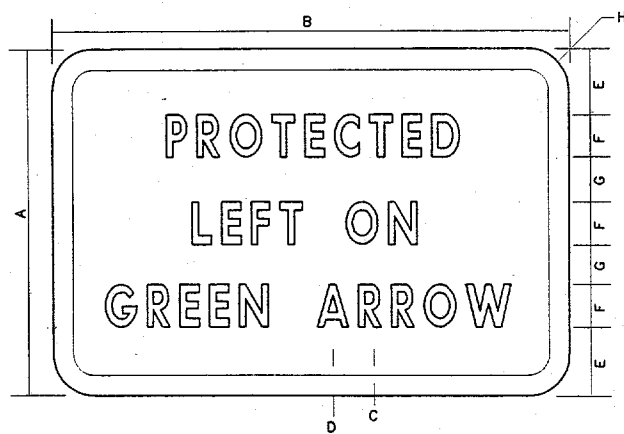
*SPACING REDUCED 50%



SW3-3
48"x 48"

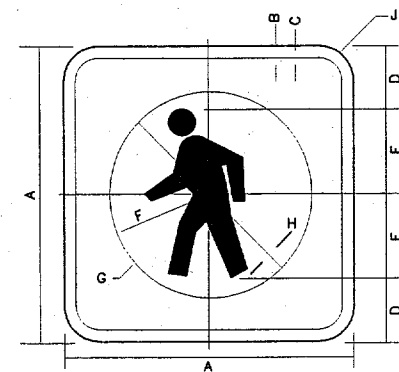
COLORS

SYMBOL & LEGEND- BLACK (NON-REFL.)
TOP CIRCLE - RED (REFL.)
BOTTOM CIRCLE - GREEN (REFL.)
BACKGROUND - YELLOW (REFL.)
TYPE C REFLECTIVE SHEETING



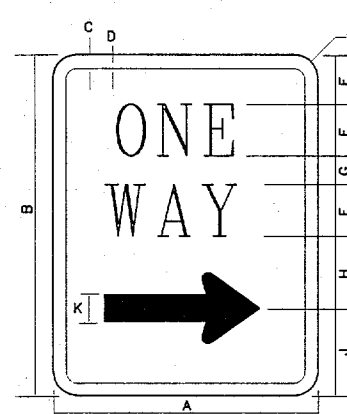
SIGN NO.	SIGN	DIMENSIONS (INCHES)							
		A	B	C	D	E	F	G	H
R10-9	STD.	12	18	3/8	3/4	2	2	C	1 1/2
SR10-9S	EXPWY.	18	30	3/8	3/4	3	3	C	1 1/2
SR10-9	FRWY.	24	36	3/8	1	4	4	C	2 1/2

* - REDUCE SPACING 40%

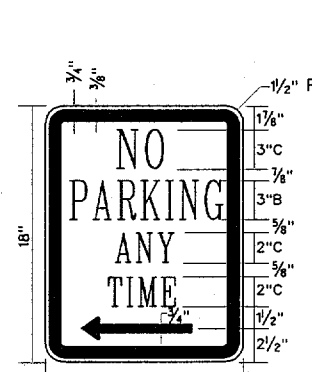


CIRCLE AND DIAGONAL - RED
SYMBOL & BORDER - BLACK
BACKGROUND - WHITE

SIGN NO.	SIGN	DIMENSIONS (INCHES)									
		A	B	C	D	E	F	G	H	J	
R9-3a	STD.	18	1	3/8	3 1/2	5 1/2	6 3/8	7 3/8	1 1/2	1 1/2	
ER9-3a	EXPWY.	24	1	3/8	4 1/2	7 1/2	10 1/2	2	1 1/2		
FR9-3a	FRWY.	30	1 1/4	3/4	5 3/4	9 1/4	10 3/8	13 1/8	2 1/2	1 3/8	



SIGN NO.	SIGN	DIMENSIONS (INCHES)											
		A	B	C	D	E	F	G	H	J	K	L	
R6-2	STD.	18	24	1	3/8	2 1/2	5D	1 1/2	4 1/2	5 1/2	2 1/4	1 1/2	
SR6-2	SPEC.	24	30	1	3/8	3	6D	1 3/8	6 1/8	7 1/8	3	1 1/2	



R7-1L
R7-1R(RT ARROW)
R7-1LR(DBL ARROW)
12"x 18"

GENERAL NOTES:

ALPHABETS AND LATERAL SPACING BETWEEN LETTERS AND NUMERALS SHALL CONFORM WITH THE FEDERAL HIGHWAY ADMINISTRATION'S "MANUAL ON UNIFORM TRAFFIC CONTROL DEVICES FOR STREETS AND HIGHWAYS", LATEST EDITION AND ANY APPROVED CHANGES THERETO. LATERAL SPACING OF TEXT SHALL BE SUCH AS TO PROVIDE A BALANCED APPEARANCE.

SIGN BACKGROUNDS SHALL BE OF FLAT SURFACE REFLECTIVE SHEETING CONFORMING WITH THE SPECIFICATIONS (TYPE A) UNLESS OTHERWISE SPECIFIED IN THE PLANS.

SIGN LEGENDS SHALL BE APPLIED BY THE SCREENING PROCESS.

THE SIGN BLANKS SHALL BE ONE PIECE 3/8 INCH THICK PLYWOOD (TYPE A) CONFORMING TO THE SPECIFICATIONS UNLESS ATTACHED TO SIGNAL POLES.

THE SIGN BLANKS SHALL BE ONE PIECE SHEET ALUMINUM ALLOY 0.080 INCH THICK CONFORMING TO THE ITEM "ALUMINUM SIGNS (TYPE A)" WHEN ATTACHED TO SIGNAL POLES.

SIGNS

DALLAS DISTRICT STANDARD

FED. PROJ. NO.		STATE PROJECT NO.		SHEET NO.	
6				10	
STATE	STATE DIST. NO.	COUNTY			
TEXAS	18	COLLIN			
COUNTY	SECT.	JOB	HIGHWAY NO.		