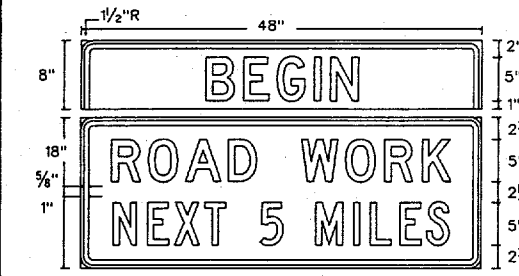
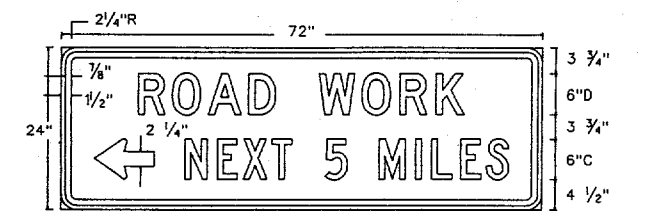


DISCLAIMER
The use of this standard is governed by the "Texas Engineering Practice Act". No warranty of any kind is made by TxDOT for any purpose whatsoever. TxDOT assumes no responsibility for the conversion of this standard to other formats or for incorrect results or damages resulting from its use.

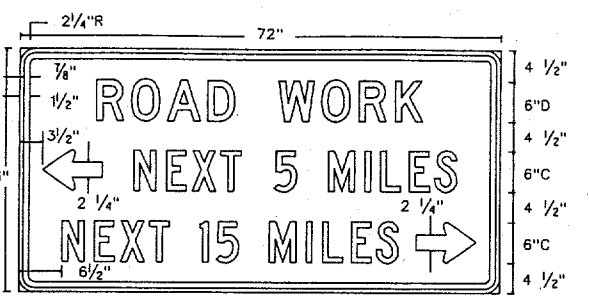
DN:	1	2	3	4	5	6	7	8	9	10	11	12	13	14	15	16
CK:	17	18	19	20	21	22	23	24	25	26	27	28	29	30	31	32
DW:	33	34	35	36	37	38	39	40	41	42	43	44	45	46	47	48
CK:	49	50	51	52	53	54	55	56	57	58	59	60	61	62	63	64



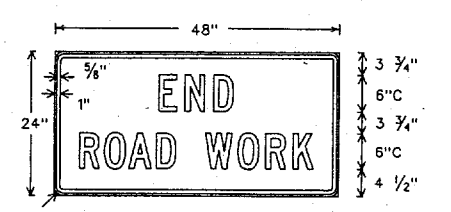
SG20-1 w/plaque
48" X 26"
Letters - Black
Numbers - Black
Border - Black
Background - Orange Refl.



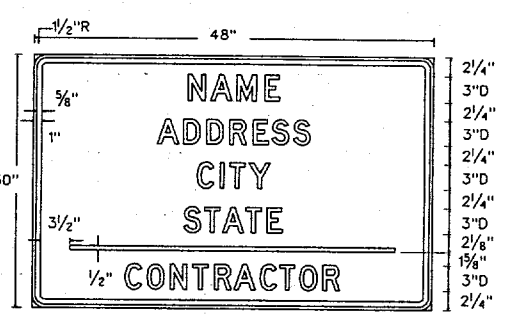
G20-1bL(R)
72" X 24"
Letters - Black
Numbers - Black
Border - Black
Background - Orange Refl.



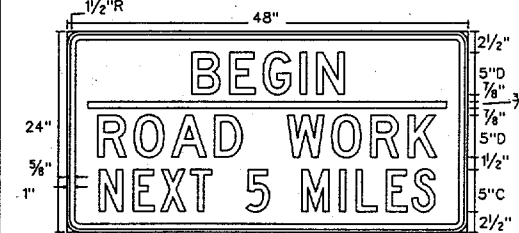
G20-1a
72" X 36"
Letters - Black
Numbers - Black
Border - Black
Background - Orange Refl.



G20-2a
48" X 24"
Letters - Black
Border - Black
Background - Orange Refl.



SG20-6
48" X 30"
Letters - Black
Border - Black
Background - Orange Refl. or White Refl. (optional)

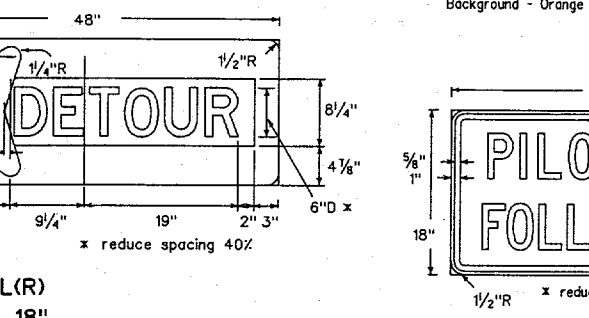


SG20-5T
48" X 24"
Letters - Black
Numbers - Black
Border - Black
Background - Orange Refl.

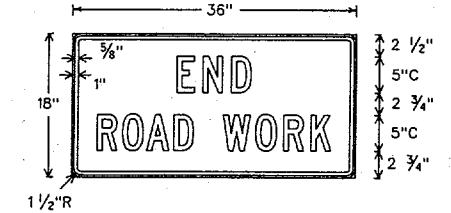
NOTE:
G20-1 Series signs shall show distances rounded to nearest whole mile. Fractions and decimal miles will not be used.



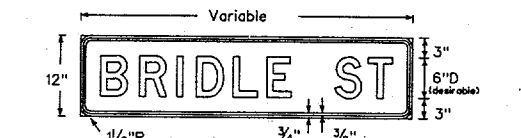
M4-10L(R)
48" X 18"
Letters - Black
Arrow - Orange Refl.
Background - Black



G20-4
36" X 18"
Letters - Black
Border - Black
Background - Orange Refl. (Optional)

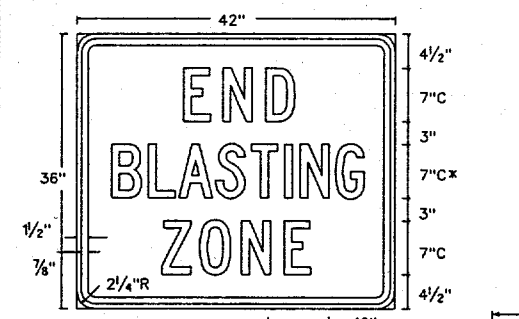


SG20-2a
36" X 18"
Letters - Black
Border - Black
Background - Orange Refl.

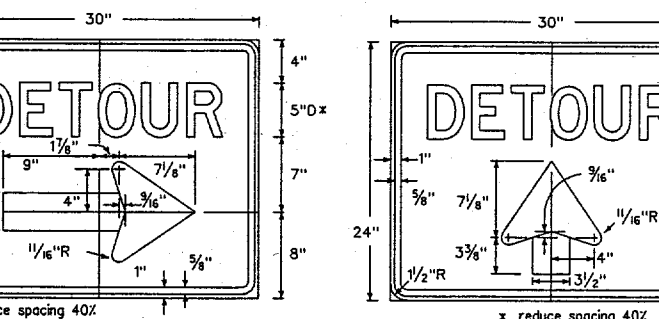


M4-9N
Variable X 12"
Letters - Black
Border - Black
Background - Orange Refl.

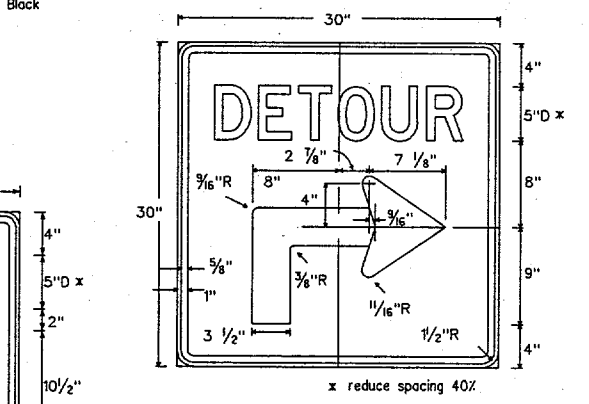
The M4-9R.L or S sign is to be used to detour local streets or roads that are not a State or Federal numbered highway; however, it should not be used in lieu of the M4-10 sign at the beginning of the detour or to detour State or Federal numbered routes. Also, when the M4-9R.L or S sign is used, a sign (M4-9N) with the name of the street being detoured may be mounted above it.



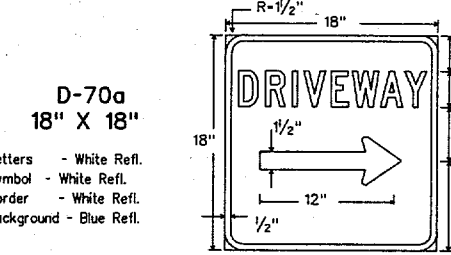
CW22-3
42" X 36"
Letters - Black
Border - Black
Background - Orange Refl.



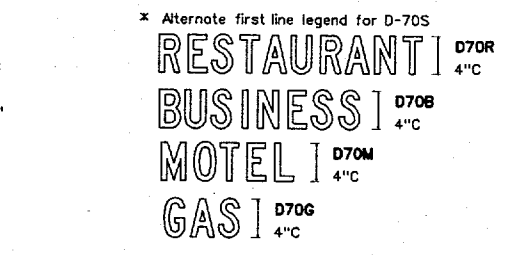
CW22-2a
60" X 36"
Letters - Black
Number - Black
Border - Black
Background - Orange Refl.



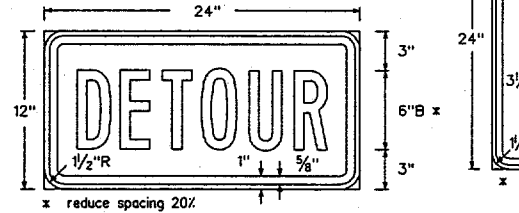
M4-9AR(L)
30" X 30"
Letters - Black
Symbol - Black
Border - Black
Background - Orange Refl.



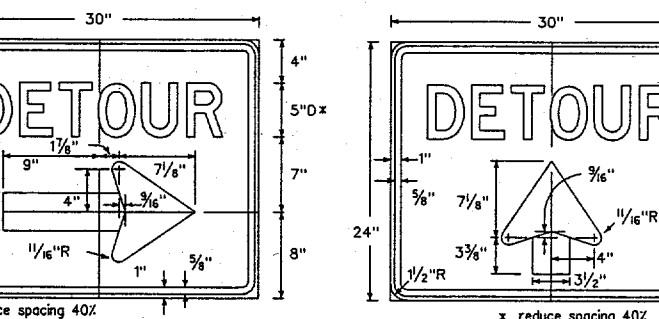
D-70a
18" X 18"
Letters - White Refl.
Symbol - White Refl.
Border - White Refl.
Background - Blue Refl.



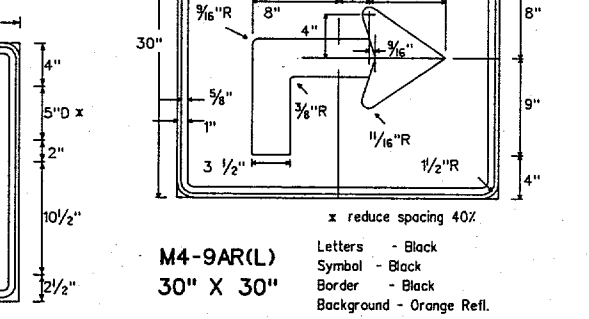
D-70S
36" X 14"
Letters - White Refl.
Symbol - White Refl.
Border - White Refl.
Background - Blue Refl.



M4-8
24" X 12"
Letters - Black
Border - Black
Background - Orange Refl.



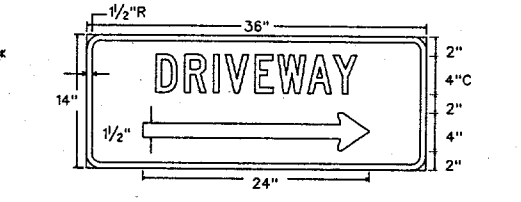
M4-9R(L)
30" X 24"
Letters - Black
Symbol - Black
Border - Black
Background - Orange Refl.



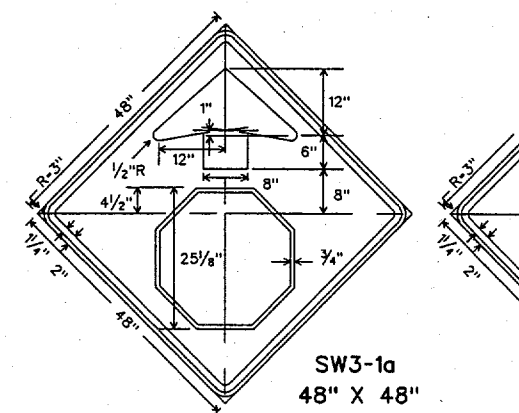
M4-9S
30" X 24"
Letters - Black
Symbol - Black
Border - Black
Background - Orange Refl.



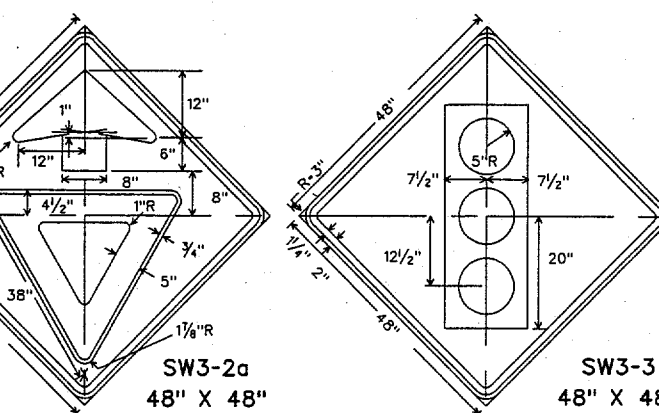
D-70S
42" X 14"
Letters - White Refl.
Symbol - White Refl.
Border - White Refl.
Background - Blue Refl.



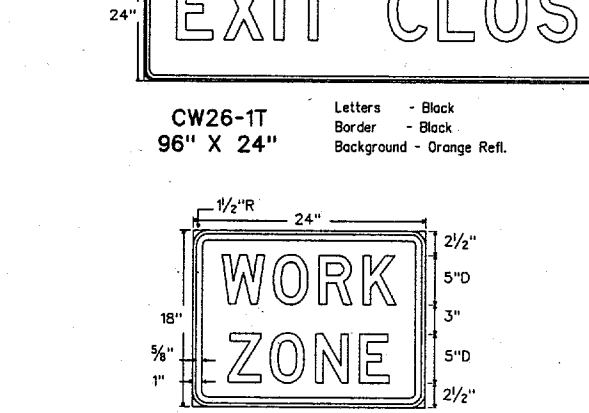
D-70
36" X 14"
Letters - White Refl.
Symbol - White Refl.
Border - White Refl.
Background - Blue Refl.



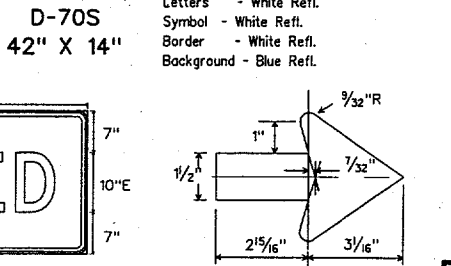
SW3-1a
48" X 48"
Border and Arrow - Black
Symbol - White Border on Red Background (Refl)
Background - Yellow Reflective



SW3-2a
48" X 48"
Border and Arrow - Black
Symbol - Red Border Band on White Background (Refl)
Background - Yellow Reflective

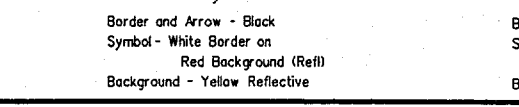


SW3-3
48" X 48"
Symbol and Border - Black
Top Circle - Red Reflective
Bottom Circle - Green Reflective
Background - Yellow Reflective

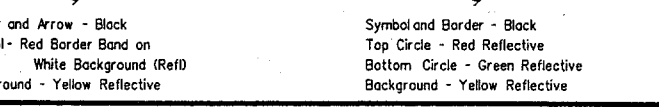


CW26-1T
96" X 24"
Letters - Black
Border - Black
Background - Orange Refl.

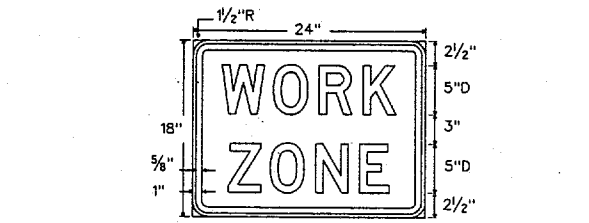
10/99 Revision
Added new sign



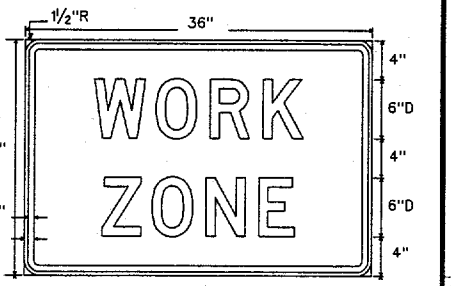
G20-9
24" X 18"
Letters - Black
Border - Black
Background - Orange Refl.



EG20-9
36" X 24"
Letters - Black
Border - Black
Background - Orange Refl.



G20-9
24" X 18"
Letters - Black
Border - Black
Background - Orange Refl.



G20-9
36" X 24"
Letters - Black
Border - Black
Background - Orange Refl.

STANDARD PLANS
TEXAS DEPARTMENT OF TRANSPORTATION
Traffic Operations Division

BARRICADE AND CONSTRUCTION STANDARDS

CONTRACTOR INFORMATION, DETOURS & WARNING SIGNS **BC(9A)-99**

REVISIONS	STATE DISTRICT	FEDERAL REGION	DTN	DN	GB	REC. NO.
10-99	6					33
COUNTY	CONTROL	SECTION	JOB	HIGHWAY		