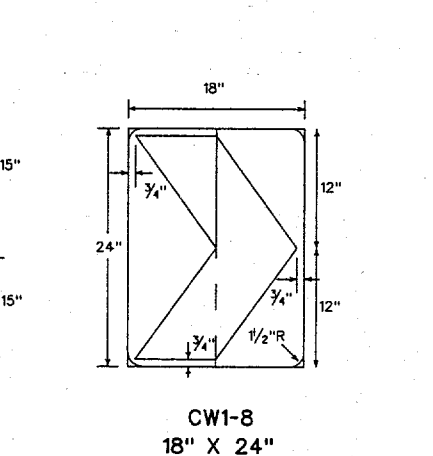
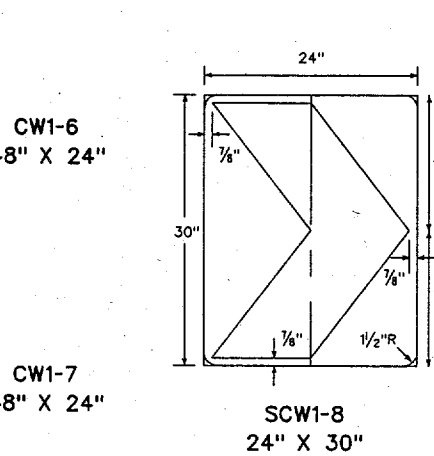
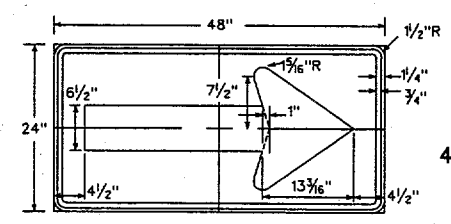
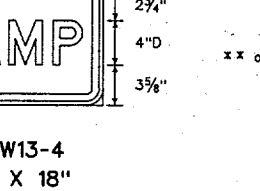
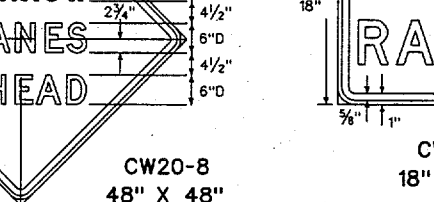
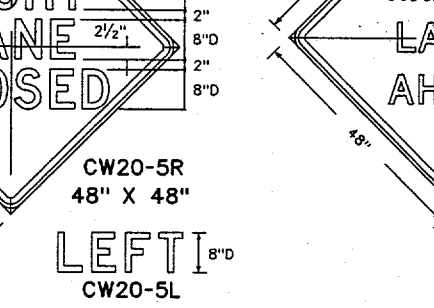
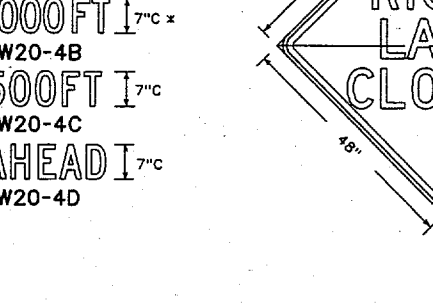
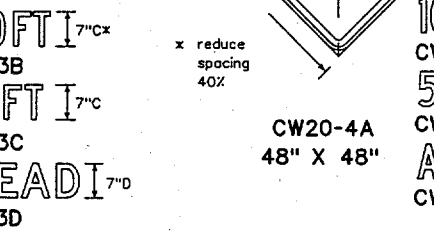
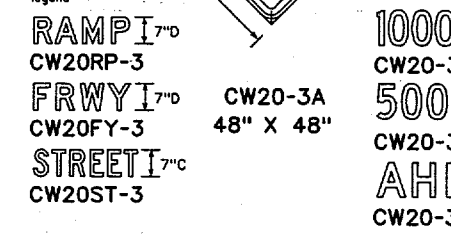
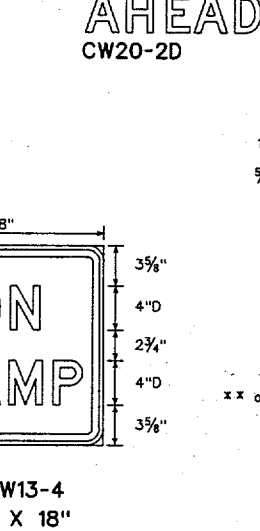
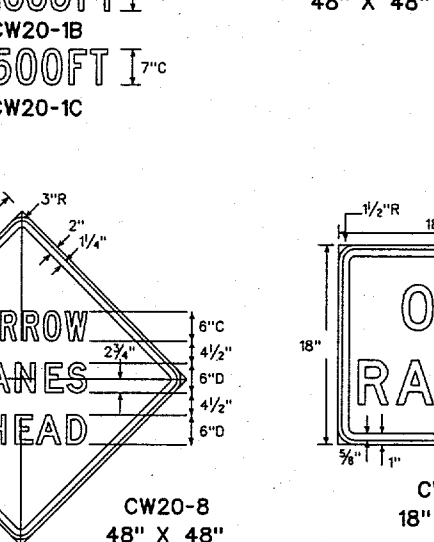
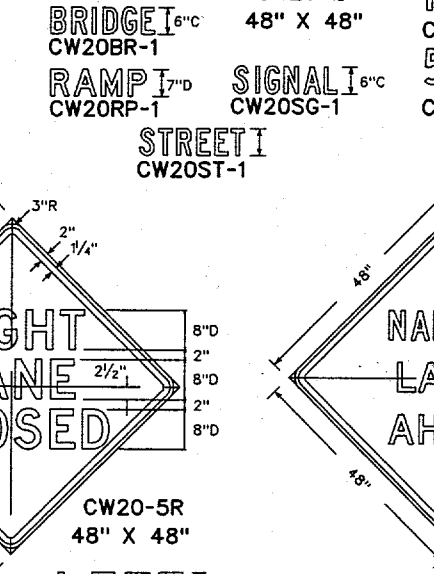
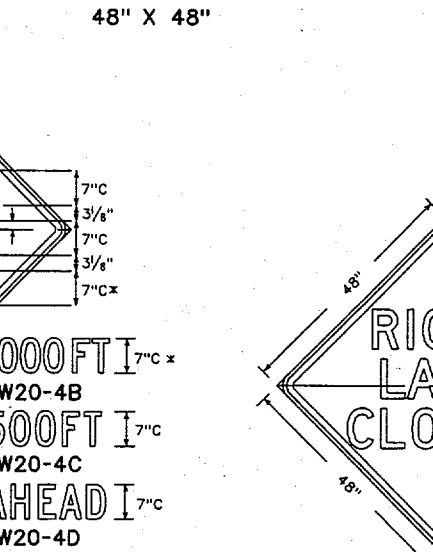
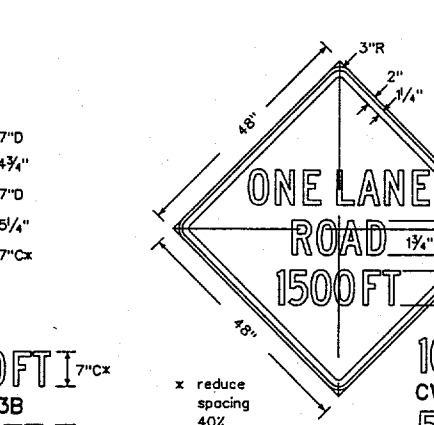
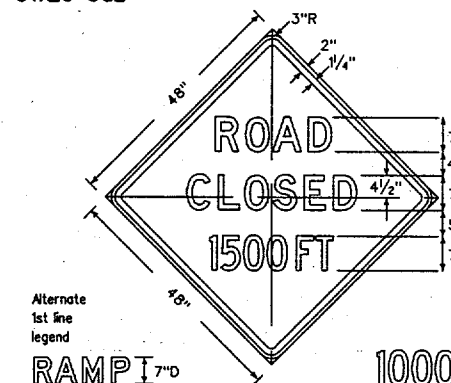
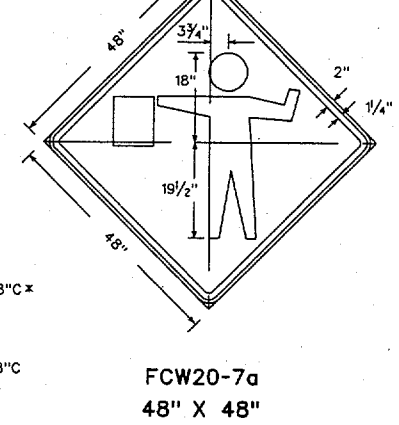
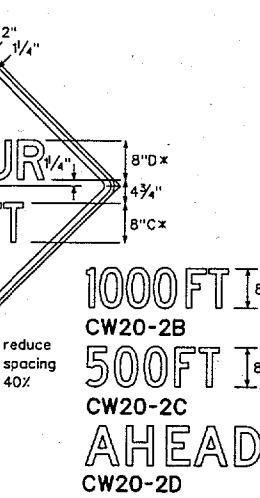
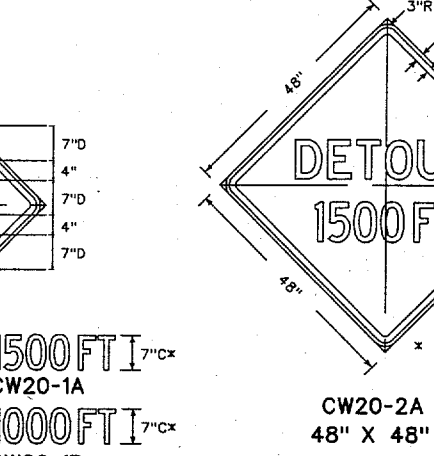
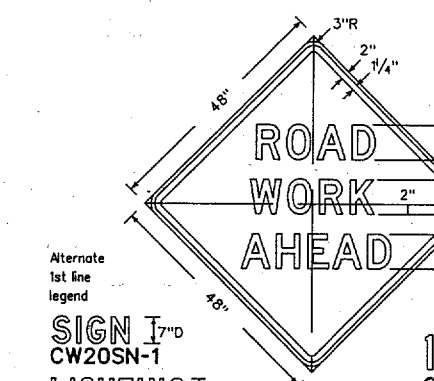
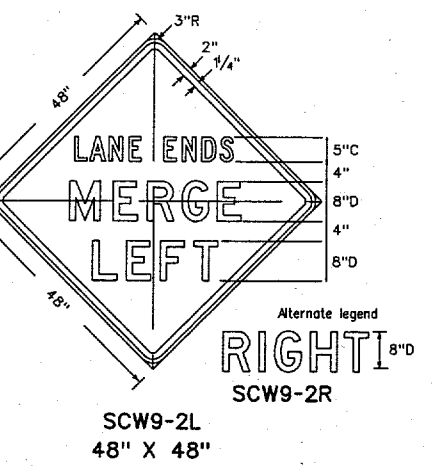
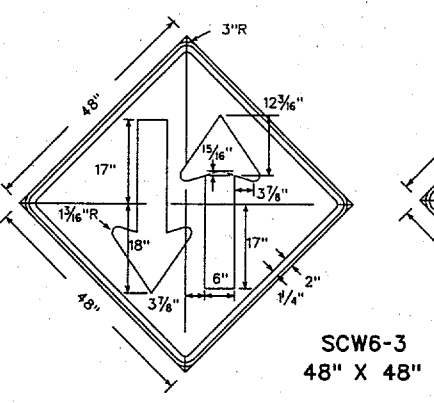
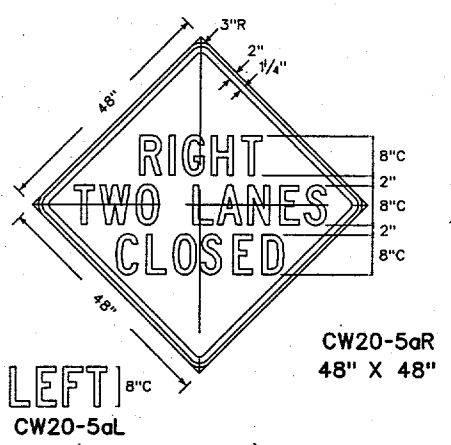
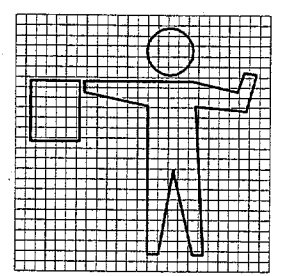
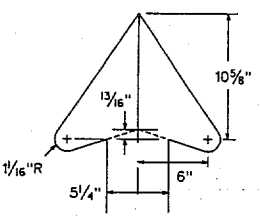
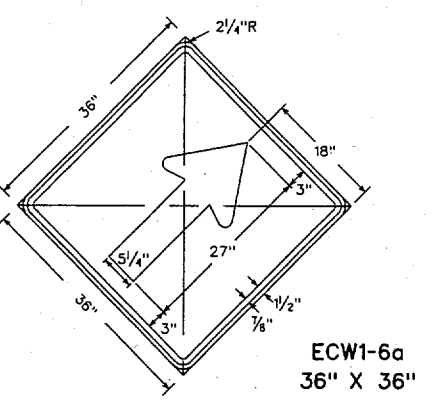
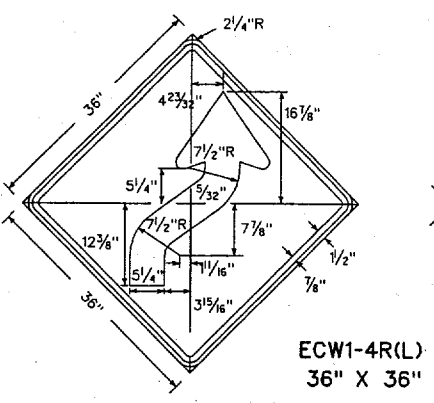
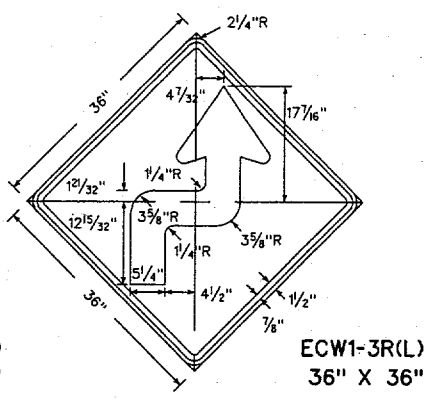
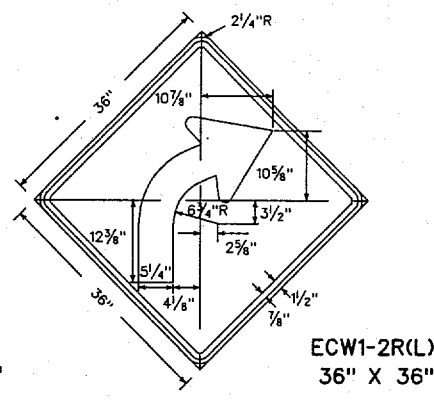
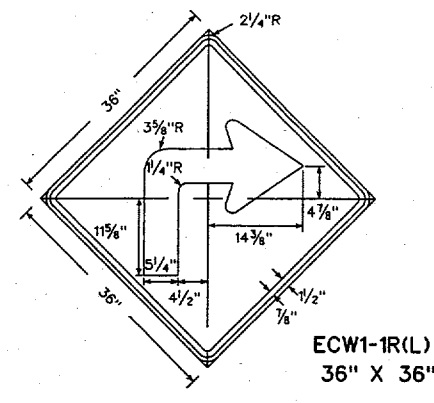
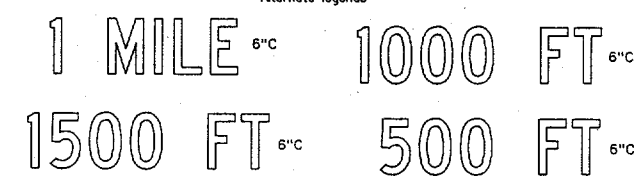
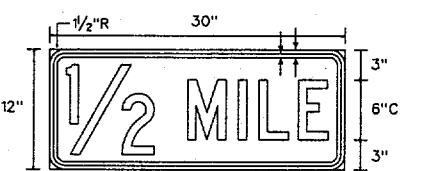


DISCLAIMER  
 The use of this standard is governed by the "Texas Engineering Practice Act". No warranty of any kind is made by TxDOT for any purpose whatsoever. TxDOT assumes no responsibility for the conversion of this standard to other formats or for incorrect results or damages resulting from its use.

DN:	CK:	CK:	CK:
1	2	3	4
5	6	7	8
9	10	11	12
13	14	15	16
17	18	19	20
21	22	23	24
25	26	27	28
29	30	31	32
33	34	35	36
37	38	39	40
41	42	43	44
45	46	47	48
49	50	51	52
53	54	55	56
57	58	59	60
61	62	63	64
65	66	67	68
69	70	71	72
73	74	75	76
77	78	79	80
81	82	83	84
85	86	87	88
89	90	91	92
93	94	95	96
97	98	99	100



GENERAL NOTES:  
 All signs detailed on this sheet shall have Black border, legend and/or symbol on an orange Type C reflective background.



STANDARD PLANS  
 TEXAS DEPARTMENT OF TRANSPORTATION  
 Traffic Operations Division

BARRICADE AND CONSTRUCTION STANDARDS

CONSTRUCTION WARNING SIGNS BC(9B)-98

REVISED	STATE	FEDERAL	FEDERAL	FEDERAL	NO.
1	6				34
COUNTY	CONTROL	SECTION	JOB	WORK	