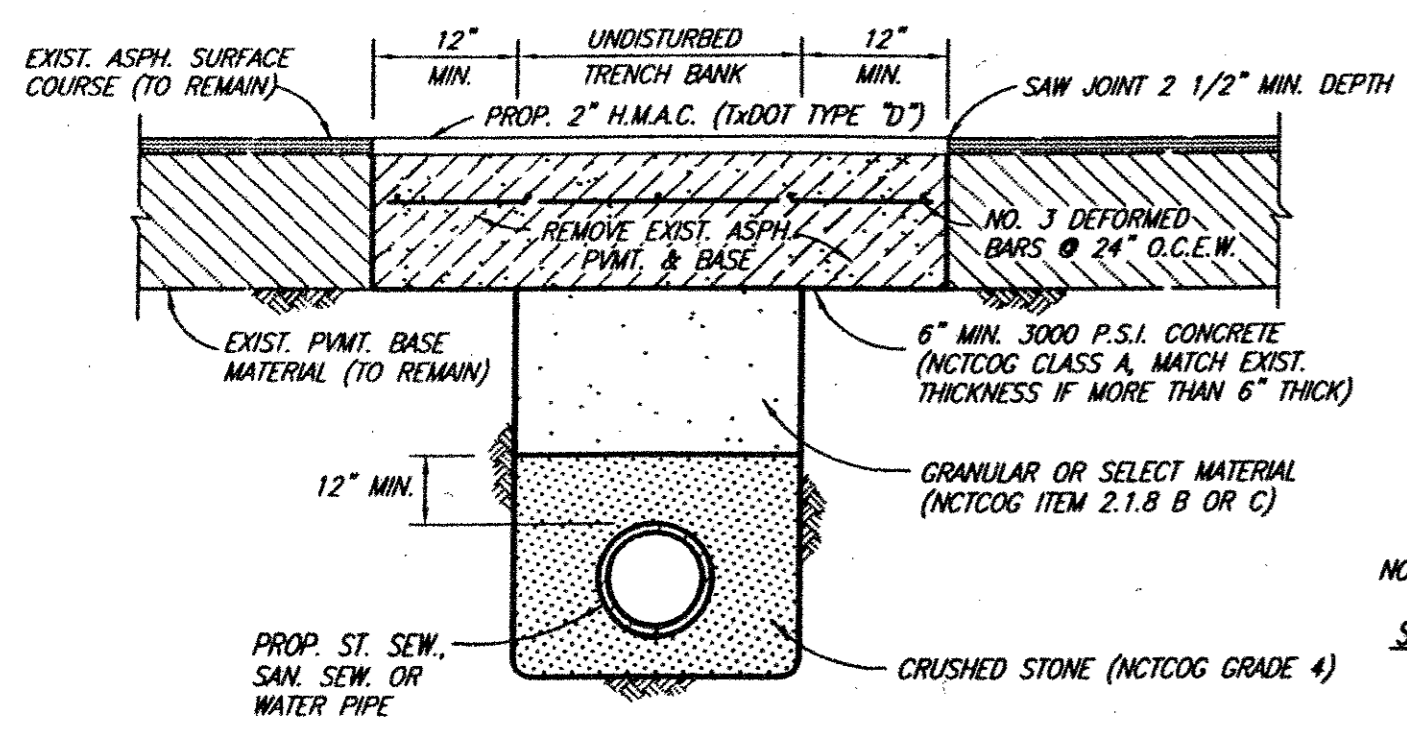
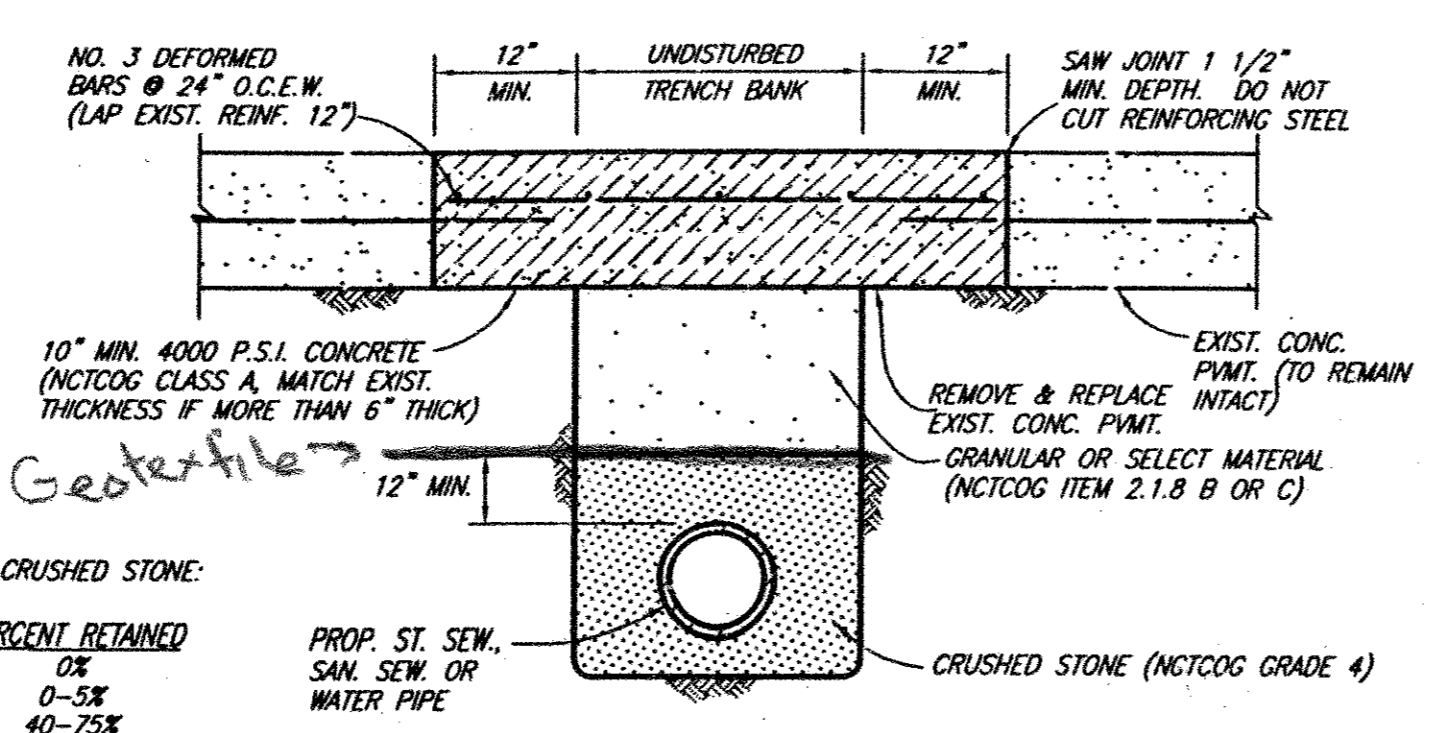


04/22/02 P.L. 99123WB.DWG SCALE: 1"=20' BLOCKS ASPHALT CLASS B1 CLASS C CLASS H REHYD. WATER SVCS



ASPHALT PAVEMENT REPAIR

NO SCALE

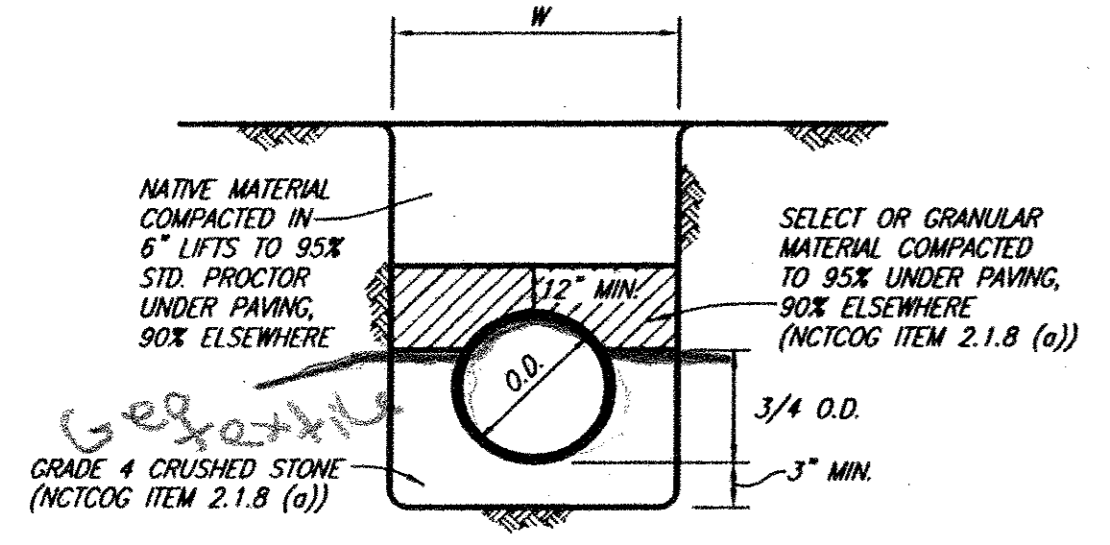


CONCRETE PAVEMENT REPAIR

NO SCALE

NCTCOG GRADE 4 CRUSHED STONE:

SIEVE SIZE	PERCENT RETAINED
1 1/2"	0%
1"	0-5%
1/2"	40-75%
NO. 4	90-100%
NO. 8	95-100%

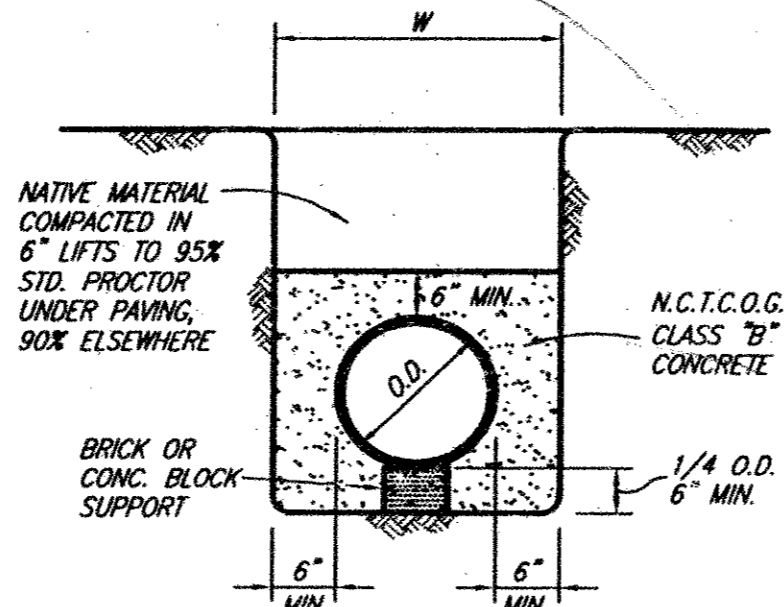


CLASS B-3 EMBEDMENT

C909 P.V.C. PIPE ONLY
STD. P.V.C. WATER

EMBEDMENT NOTES:

- DEPTH OF TRENCH BELOW PIPE:
- 3" MIN. FOR 27" PIPE & SMALLER
- 4" MIN. FOR 30" TO 60" PIPE
- 6" MIN. FOR 66" PIPE & LARGER
- MAXIMUM TRENCH WIDTH ("W")
SHALL BE 24" PLUS O.D.
FOR PIPE < 36" I.D. AND
36" PLUS O.D. FOR PIPE > 36" I.D.
- COST OF EMBEDMENT (FURNISHED AND INSTALLED) SHALL BE INCLUDED IN THE COST OF THE INSTALLED PIPE.

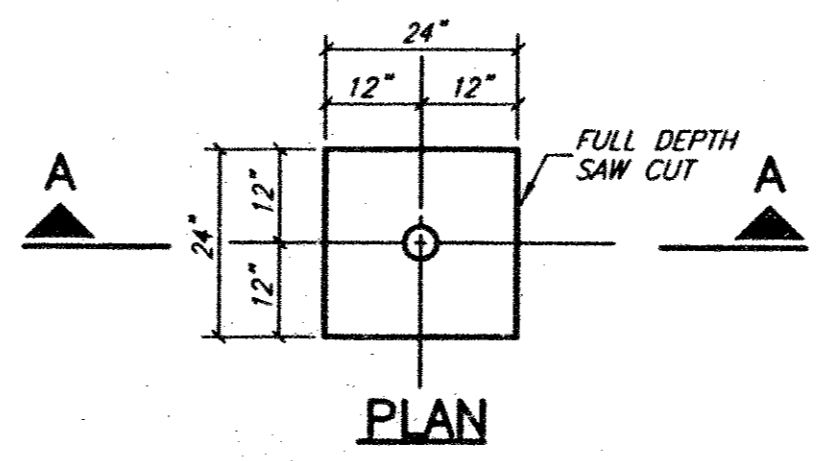


CLASS G EMBEDMENT

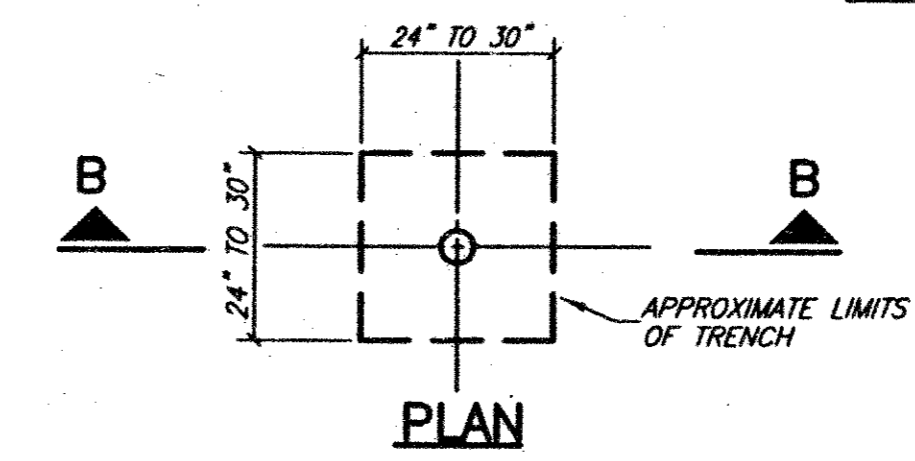
CONCRETE ENCASEMENT

NCTCOG GRADE 4 CRUSHED STONE:

SIEVE SIZE	PERCENT RETAINED
1 1/2"	0%
1"	0-5%
1/2"	40-75%
NO. 4	90-100%
NO. 8	95-100%

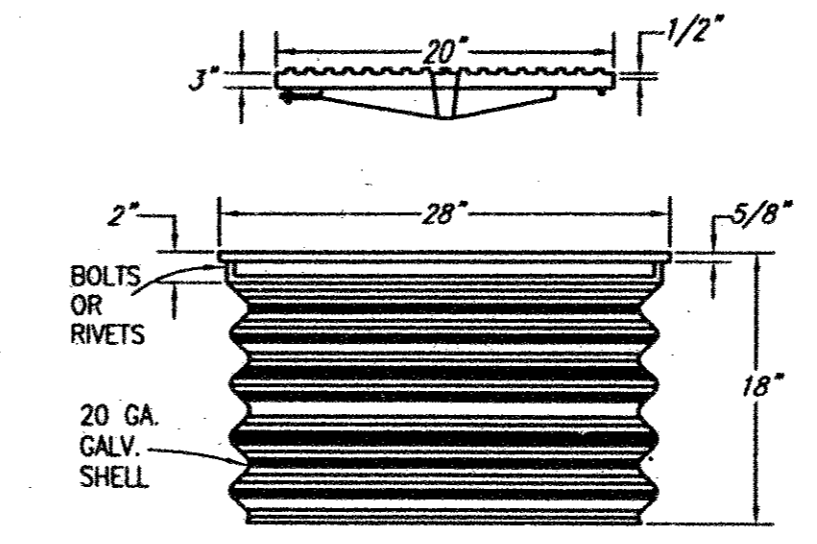
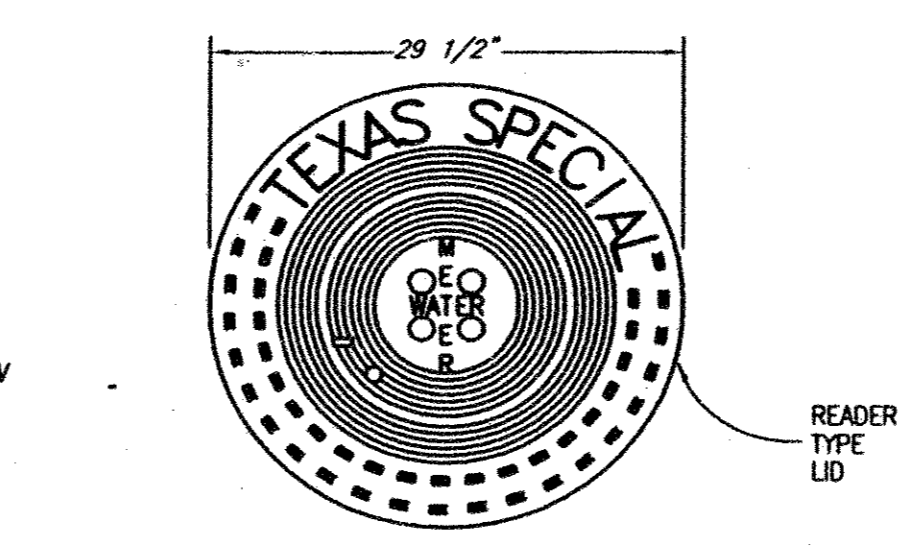
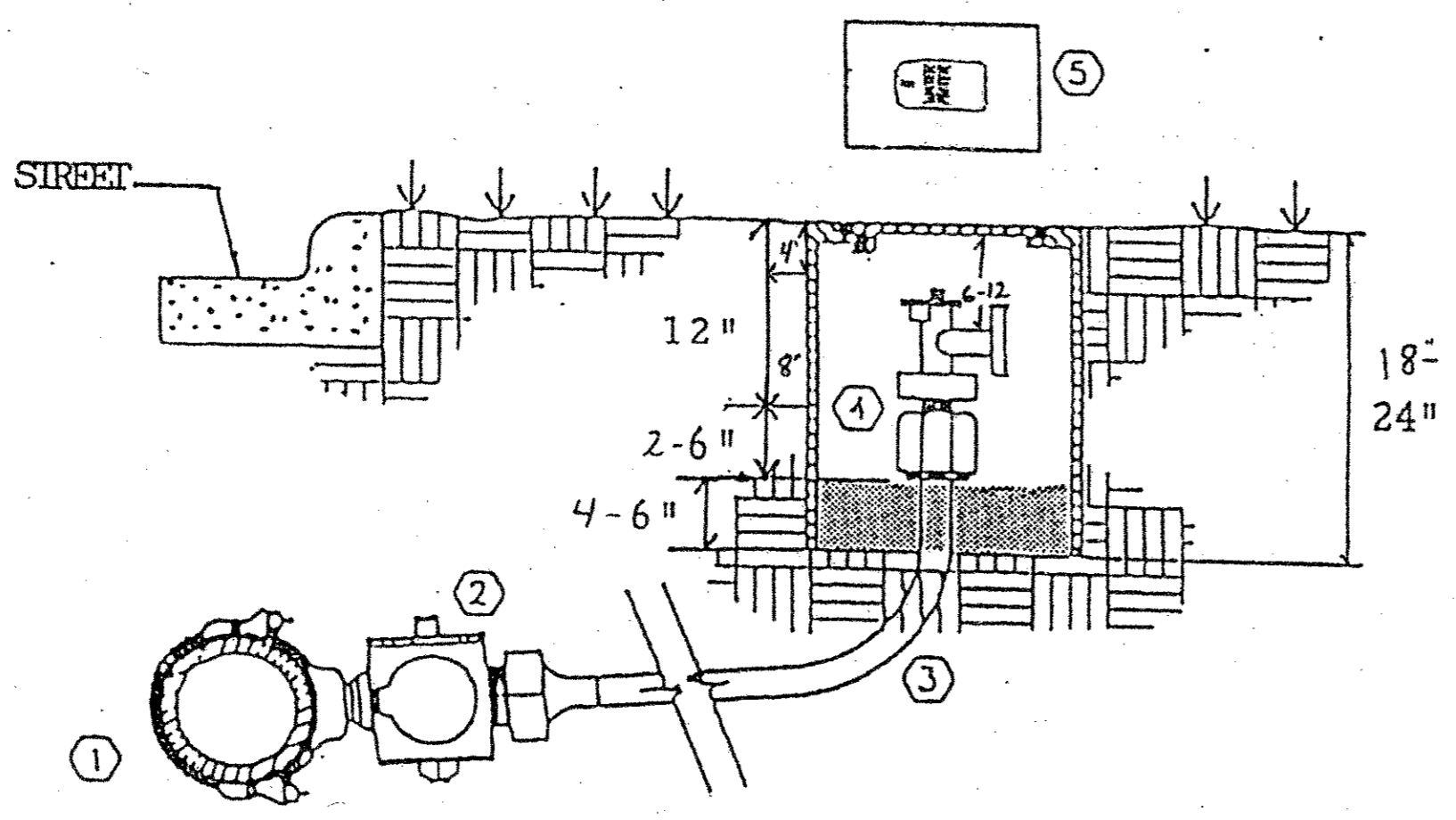


PLAN



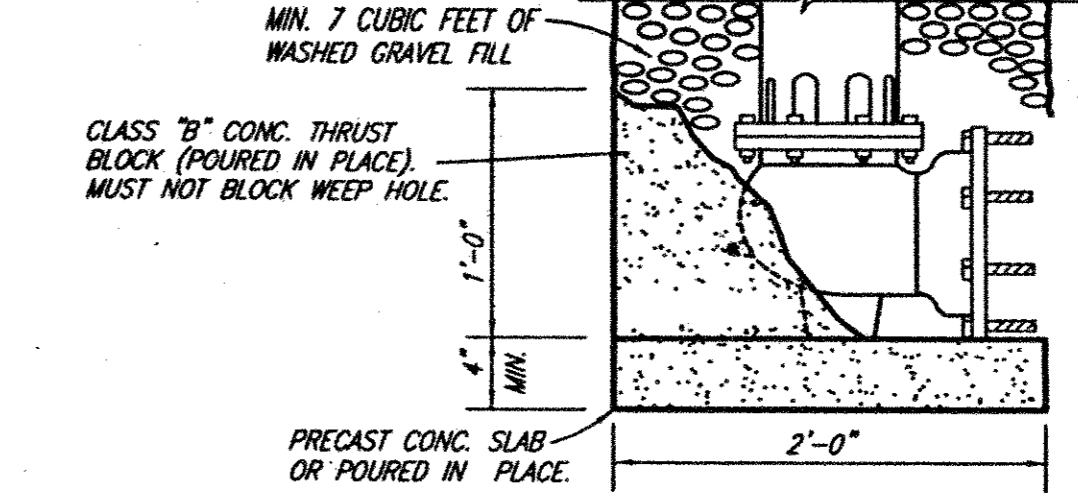
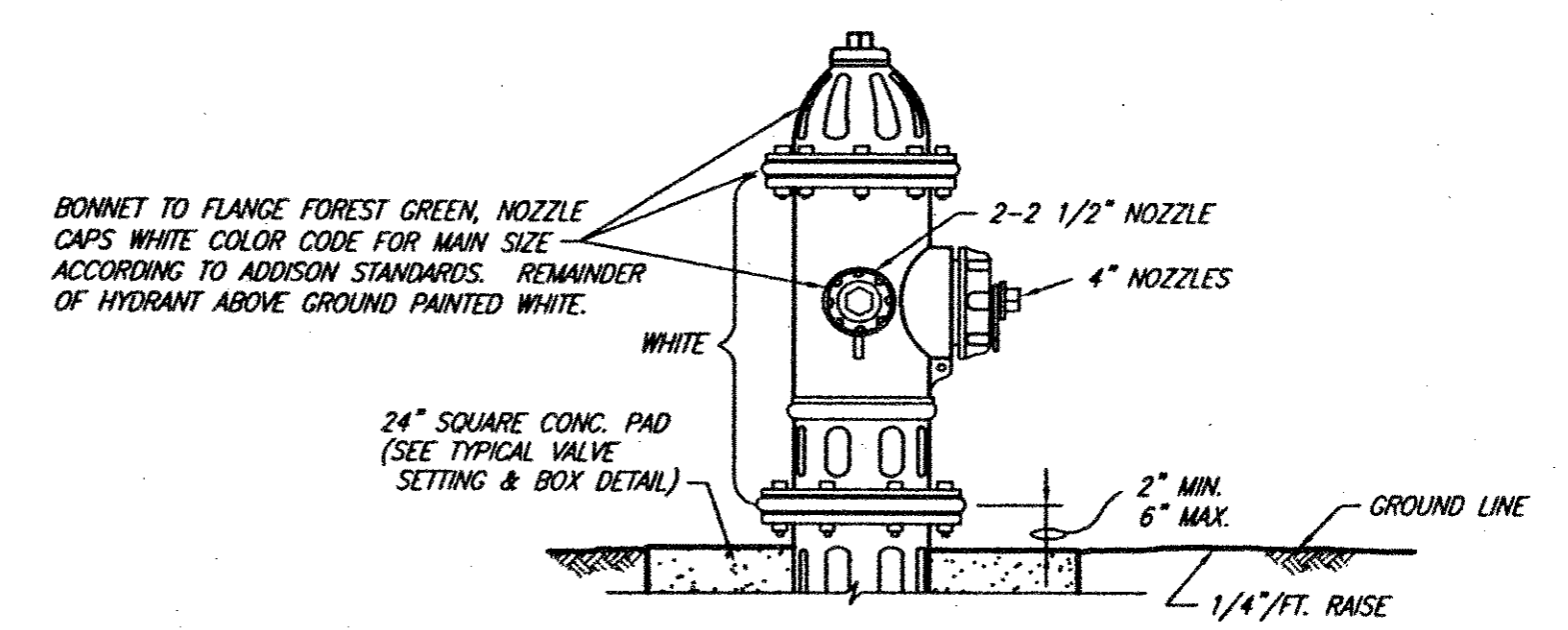
PLAN

**TOWN OF ADDISON
COMMERCIAL WATER SERVICE**



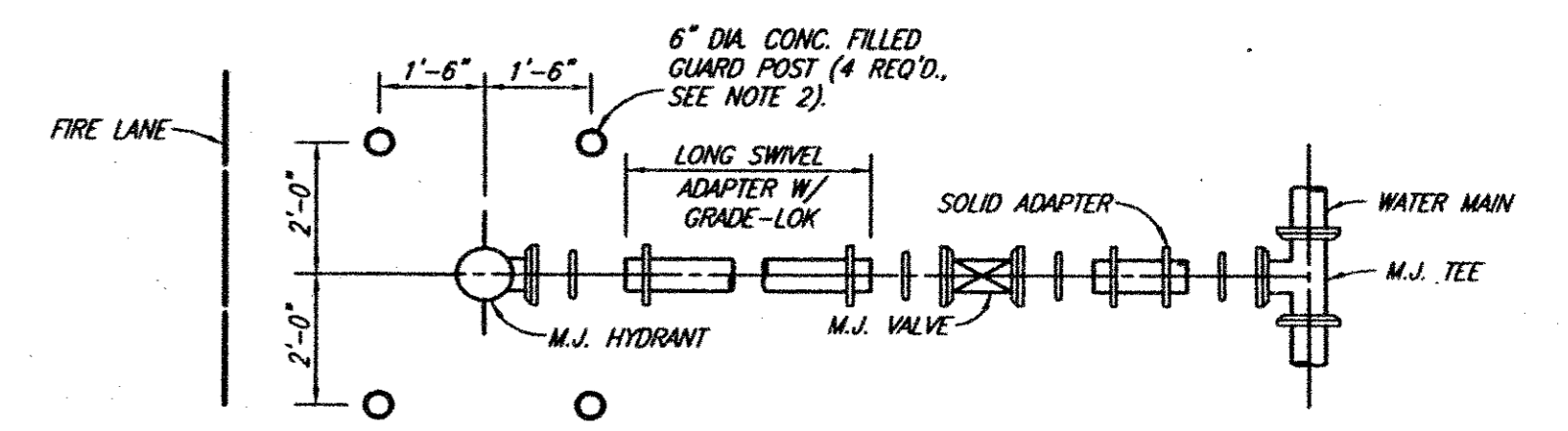
**METER BOX RING & COVER
METER BOX DETAILS**

NO SCALE



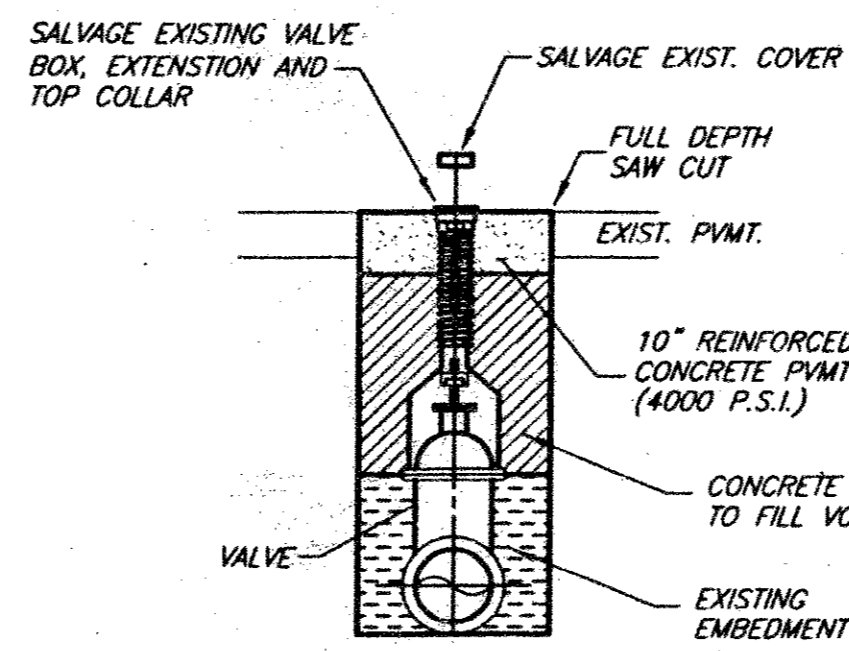
- FIRE HYDRANT NOTES:**
- IN GENERAL ALL FIRE HYDRANTS SHALL CONFORM TO AWWA STANDARDS SPECIFICATIONS FOR FIRE HYDRANTS FOR ORDINARY WATER WORKS SERVICE FOR WATER AND SANITARY SEWER IMPROVEMENTS. FIRE HYDRANTS SHALL HAVE A 5-1/4" MINIMUM VALVE OPENING AND WITH A BARREL APPROXIMATELY 7" INSIDE DIAMETER. ALL HYDRANTS SHALL BE EQUIPPED WITH A BREAKAWAY FLANGE. ALL HYDRANTS SHALL BE APPROVED BY THE TOWN OF ADDISON.
 - ACCEPTABLE FIRE HYDRANTS IN ADDISON ARE MUELLER, CLOW, AND WATEROUS.
 - FIRE HYDRANT PAINT
VITRA-GARD
RUST NO MORE
HEAVY DUTY GLOSS

FOREST GREEN J844-6 ----- ENAMEL
SATIN WHITE ----- POLY URETHANE

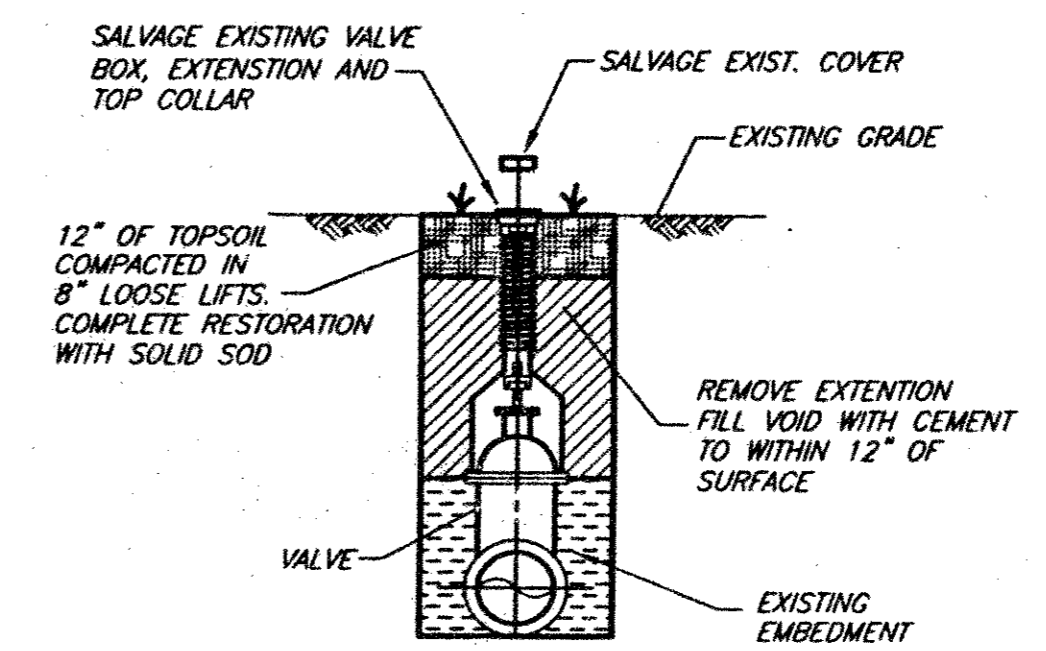


TYPICAL FIRE HYDRANT INSTALLATION

NO SCALE



**SECTION A-A
(IN PAVEMENT)**

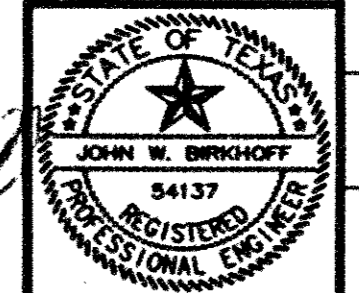


**SECTION B-B
(IN GRASS)**

ABANDON VALVE DETAIL

NO SCALE

THESE DOCUMENTS ARE FOR BIDDING, CONSTRUCTION, AND PERMIT PURPOSES.
DATE: 4/22/02



TOWN OF ADDISON, TEXAS

MARSH LANE WATER LINE

DETAILS

BIRKHOFF, HENDRICKS & CONWAY, L.L.P.
CONSULTING ENGINEERS
Dallas, Texas

DESIGNED BY: J.W.B.	PROJECT: 1999 123	SHEET NO. 8
DRAWN BY: S.J. & F.	DATE: APRIL 2002	OF 8 SHEETS