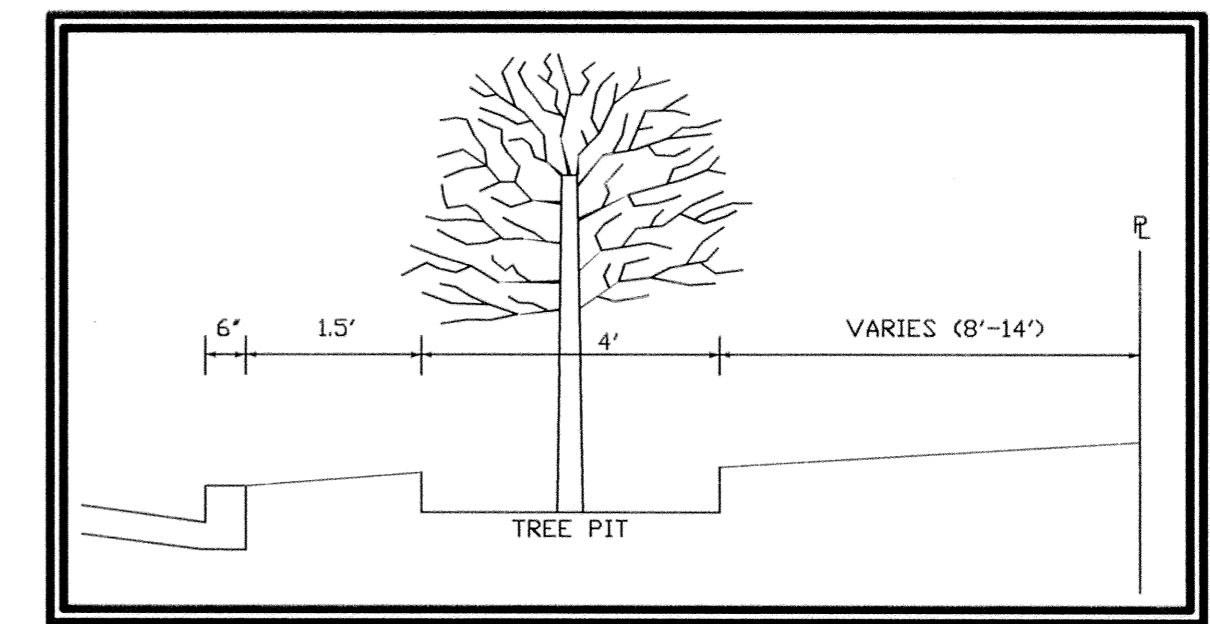
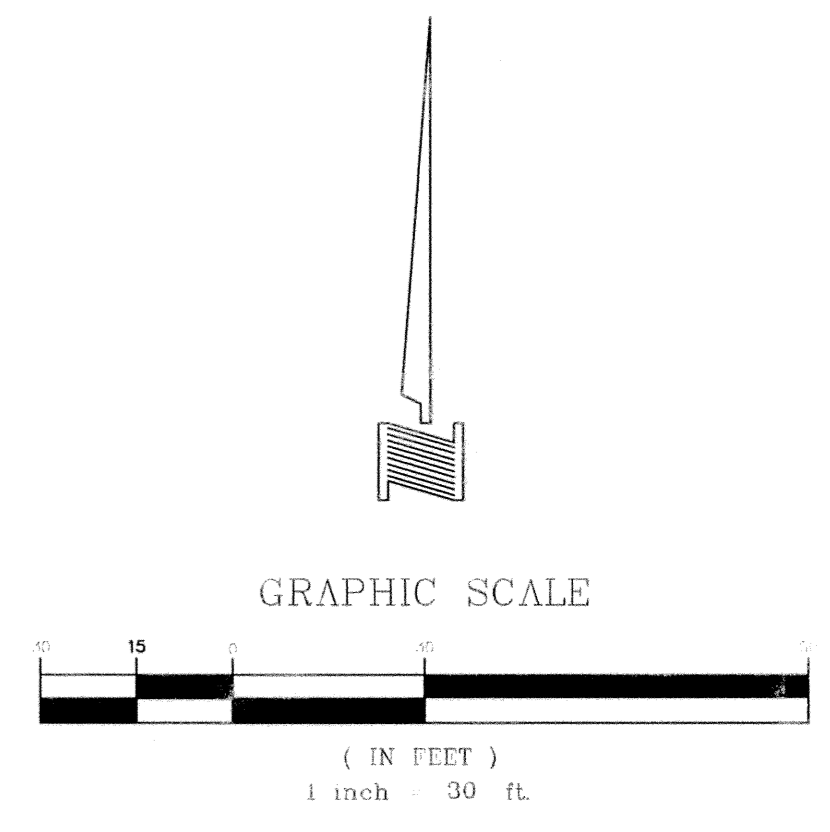
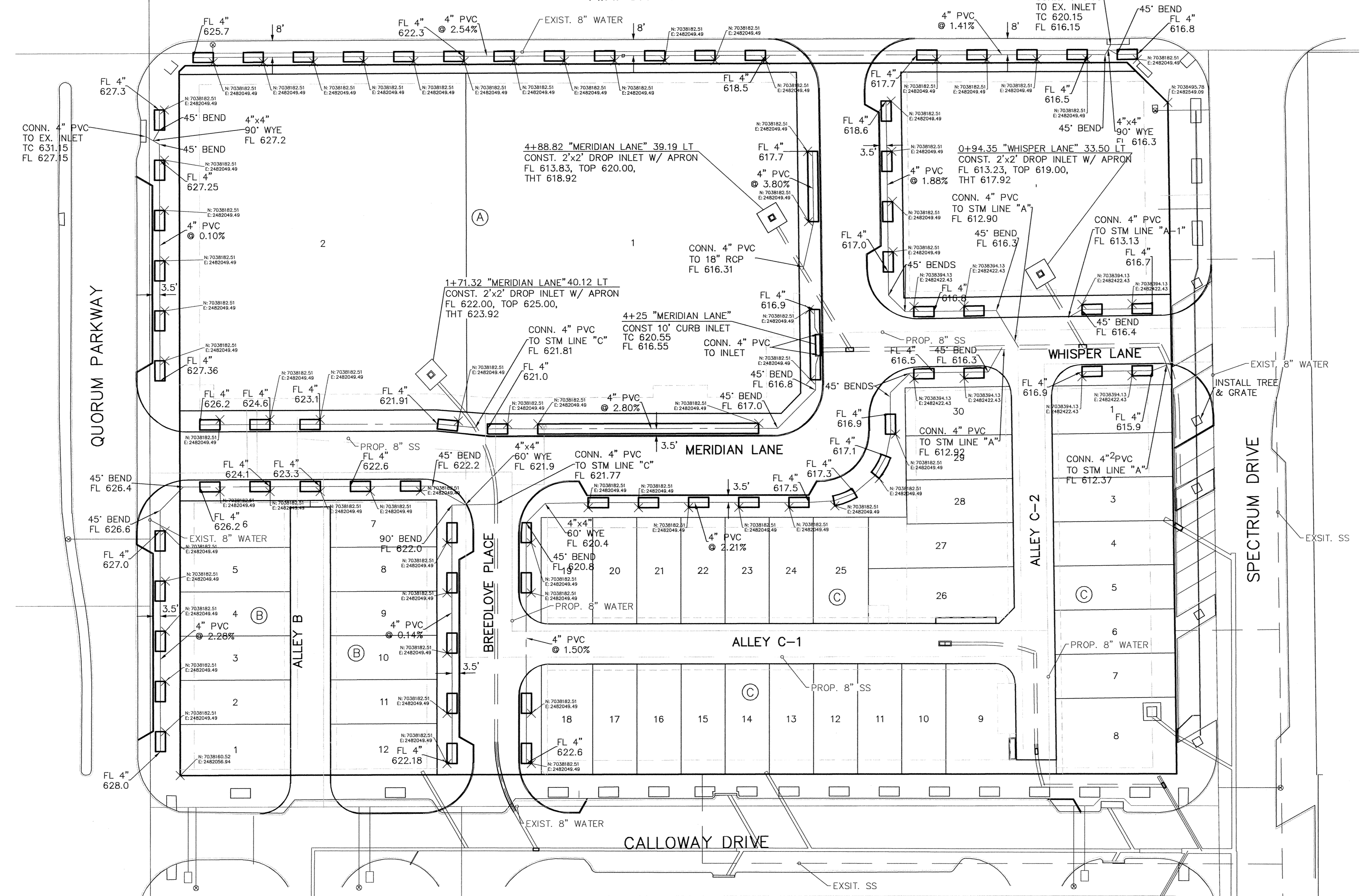
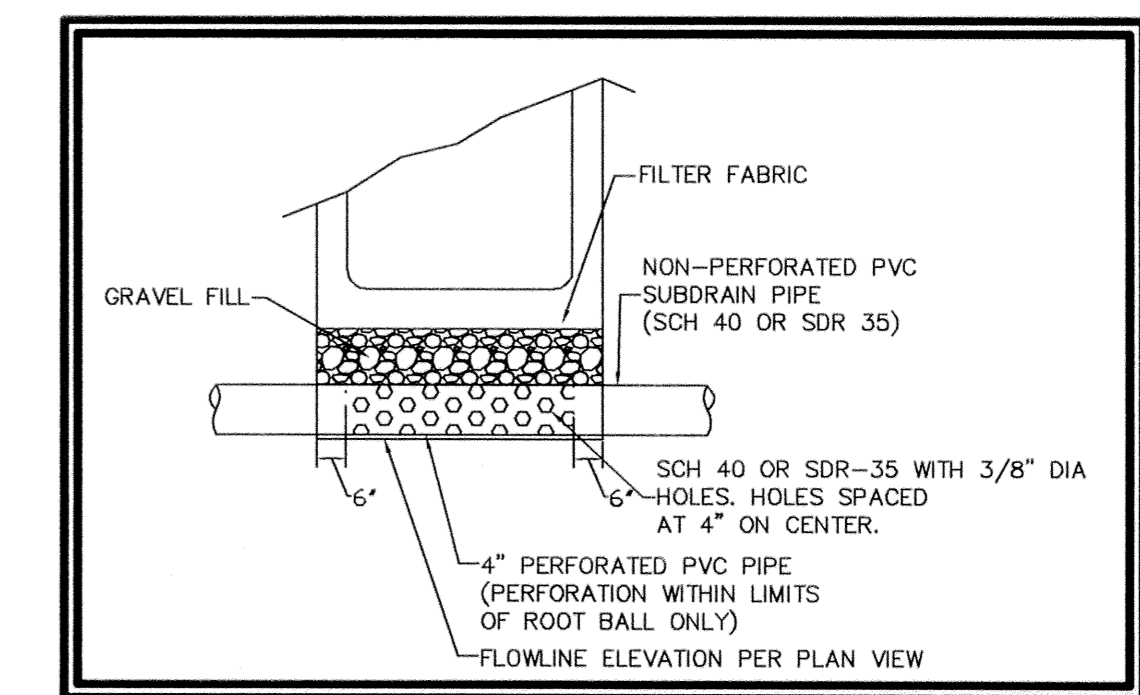


AIRPORT PARKWAY



TREE PIT CROSS-SECTION
N.T.S.



SUBSURFACE DRAIN SYSTEM DETAIL
N.T.S.

LEGEND

- PROPOSED 4" PVC
- PROPOSED TREE GRATE
- EXISTING TREE GRATES

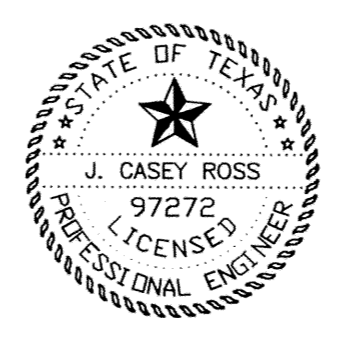
NOTE: ALL PVC SHALL BE SCHEDULE 40 OR SDR-35.

BENCHMARKS:
1. SQUARE CUT AT THE BACK OF CURB ON THE CENTER OF A CONCRETE INLET LOCATED ON THE EAST SIDE OF QUORUM PARKWAY APPROXIMATELY ±65' SOUTH OF THE CENTERLINE INTERSECTION OF QUORUM PARKWAY AND AIRPORT PARKWAY:
ELEVATION = 630.71'

2. SQUARE CUT ON THE NORTHWEST CORNER OF A CONCRETE INLET LOCATED ON THE NORTH SIDE OF AIRPORT PARKWAY AT THE CENTERLINE INTERSECTION OF AIRPORT PARKWAY AND SPECTRUM DRIVE:
ELEVATION = 619.31'

THESE CONSTRUCTION PLANS WERE PREPARED UNDER THE RESPONSIBLE SUPERVISION OF J. CASEY ROSS, LICENSED PROFESSIONAL ENGINEER NO. 97472

J. Casey Ross 9/30/09



RECORD DRAWINGS Sept. 30, 2009
NOTE: THE INTENT OF THE OWNER AND ENGINEER WAS TO CONSTRUCT THE IMPROVEMENTS ACCORDING TO THESE PLANS AS APPROVED BY THE TOWN OF ADDISON. THE LINES AND GRADES WERE SET ON THE GROUND FOR CONSTRUCTION ACCORDING TO SAID PLANS. WE ARE NOT AWARE OF ANY CHANCES OR REVISIONS TO THESE PLANS DURING CONSTRUCTION EXCEPT AS NOTED ON THE PLANS.

NO.	DATE	BY	REVISION
1	4/08/08	JCR	REVISED ALL TOWNHOME LOT LINES & ADJUSTED ALL TREE PITS AND DRAINS

TREE DRAIN DETAIL
MERIDIAN SQUARE
TOWN OF ADDISON
DALLAS COUNTY, TEXAS

DOWDEY, ANDERSON & ASSOCIATES, INC.
5225 Village Creek Drive, Suite 200 Plano, Texas 75093 972-931-0694

DESIGN	DRAWN	CHECKED	DATE	SCALE	JOB	SHEET
CWH	CWH	JCR	11/17/2008	1"=30'	07031B	1