

**IRRIGATION LEGEND and SCHEDULE**

SYM	DESCRIPTION	MANUFACTURER	MODEL	SIZE / NOZZLE	NOTES
☐	Automatic Controller	WeatherMatic	6L Series	Refer to Plan for Size	Pedestal mount with 6LW20 Weather Station.
⊕	Remote Control Valve (w/ Pressure Regulator)	Irritrol	200B Series w/ Omni Reg	Refer to Plan for Size	Install per detail in 12"x11" rectangular valve box w/ bolt down lid. Rout and paint valve number on lid.
▲	Quick Coupler Valve	Buckner	V075	3/4"	Install per detail in 11x11 valve box. Rout and paint "QCV" on lid.
◆	Quick-Coupling Key	Buckner	C075	3/4"	Furnish three (x3) to owner.
⊕	Hose Swivel	Buckner	109HL	3/4"	Furnish three (x3) to owner.
⊕	Water Meter	---	per City	Refer to Plan for Size	Installed by General Contractor
⊕	Double Check Valve	Watts	007M	Refer to Plan for Size	Furnish and install per local code by Licensed Irrigation Contractor
⊕	Ball Valve	Nibco	46606	Line Size	Install 10" RD valve box.
---	Irrigation Sleeve	---	Sch 40 w/ 12 ga. Full wire in sleeve	Refer to Plan for Size	Driveway sleeve(s) installed by General Contractor Sidewalk sleeves installed by Irrigation Contractor
---	Irrigation Main Line	---	Sch 40	Refer to Plan for Size	18" installation depth
---	Irrigation Lateral Line	---	Sch 40	Refer to Plan for Size	12" installation depth
---	Drip Tubing	Netafim	Techline CV	Emitters - 12" O.C. Tubing - 12" O.C.	Install per details

⊕ Program and Station number for Automatic Controller  
 ⊕ Valve size in inches  
 ⊕ Gallons per minute, per valve

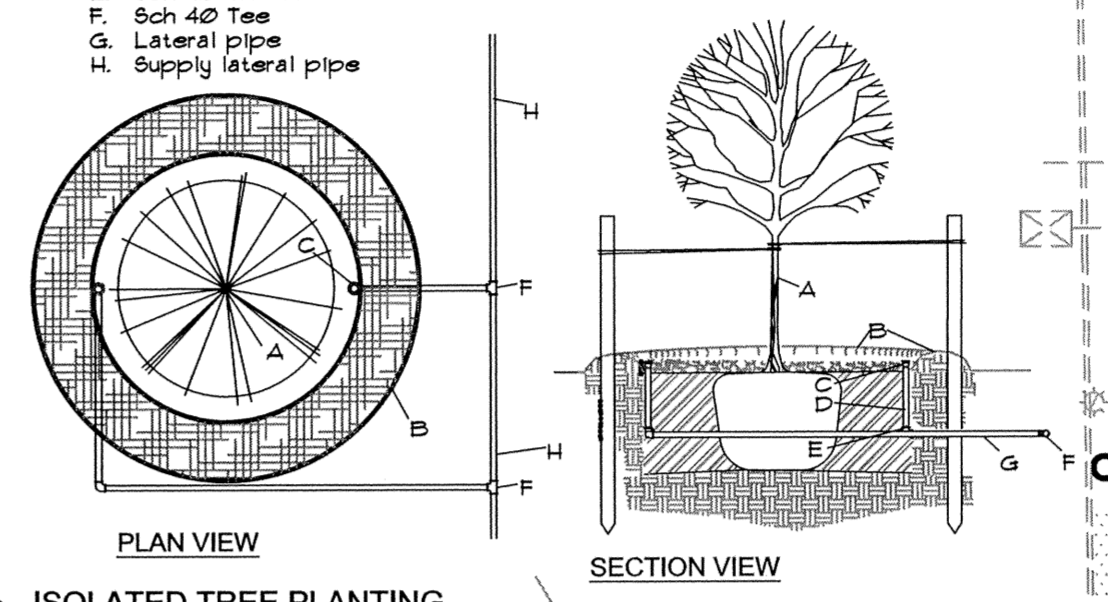
CONTROLLER: RAIN MASTER DX-2 (12 STATIONS)  
 REFER TO TOWN OF ADDISON SPECIFICATION FOR ADDITIONAL INFORMATION AND REQUIREMENTS

POINT OF CONNECTION:  
 1" WATER METER  
 1" BALL VALVE  
 1" WYE FILTER  
 1" D.C.A. BY I.C.  
 1" MASTER VALVE  
 1" DATA INDUSTRIAL FLOW METER (REFERENCE BACKFLOW CONNECTION DETAIL)

NOTE:  
 ALL SLEEVES ARE 2" SCH. 40 PVC UNO. PROVIDE TWO BUBBLERS PER TREE INSTALL ON SEPARATE ZONE(S) FROM DRIP ZONES

**GENERAL NOTES:**

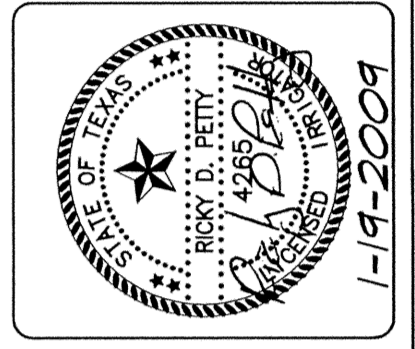
1. Keep all laterals and heads away from the root ball, and inside of the tree ring.
  2. Install top of head flush with root flare.
- CONSTRUCTION NOTES:**
- A. Tree
  - B. Tree ring
  - C. Subirrigator Nozzle
  - D. Sch 80 Riser (Length as required)
  - E. Sch 40 SxT 50
  - F. Sch 40 Tee
  - G. Lateral pipe
  - H. Supply lateral pipe



**RECORD DRAWINGS** September 30, 2009  
 NOTE: THE INTENT OF THE OWNER AND ENGINEER WAS TO CONSTRUCT THE IMPROVEMENTS ACCORDING TO THESE PLANS AS APPROVED BY THE TOWN OF ADDISON. THE LINES AND GRADES WERE SET ON THE GROUND FOR CONSTRUCTION ACCORDING TO SAID PLANS. WE ARE NOT AWARE OF ANY CHANGES OR REVISIONS TO THESE PLANS DURING CONSTRUCTION EXCEPT AS NOTED ON THE PLANS.

#	Revisions:	Date:

**inControl Corp.**  
 Design Division  
 410 Interchange Street  
 McKinney, Texas 75074  
 ph: (214) 713-8828  
 fax: (214) 544-9555  
 www.incontrolcorp.com



**Meridian Square**  
**R.O.W. Improvements**  
 Addison, Texas

Issued For:  
**CONSTRUCTION**  
 Job No.  
 08132.00  
 Scale  
 1" = 20'-0"  
 Drawn By:  
 RDP  
 Date  
 1-19-2009

Sheet Title:  
**Irrigation Plan**  
 Sheet Number:  
**L3**  
 of L4 Sheets