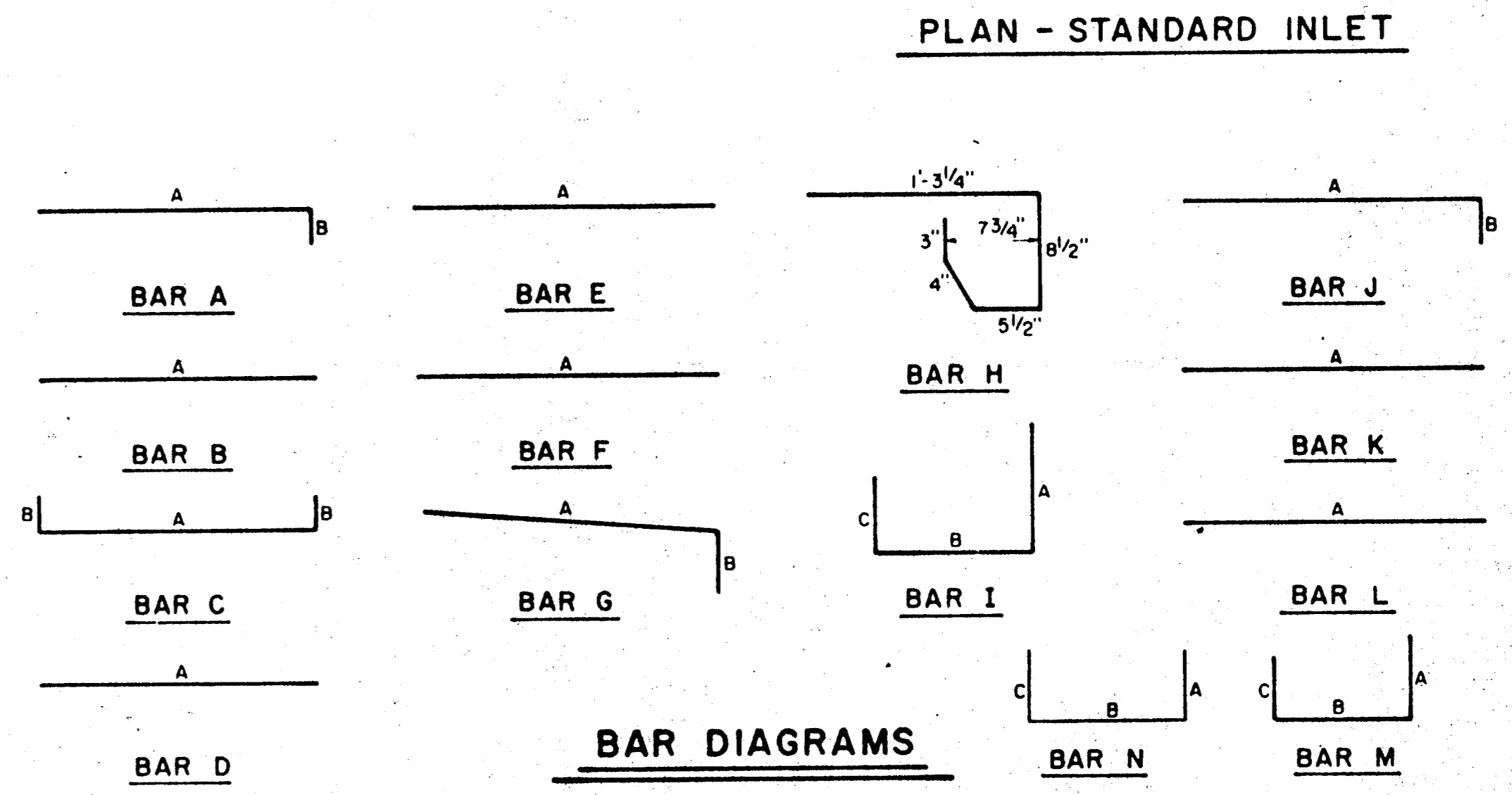


SECTION A-A-RECESSED AND STANDARD INLETS
4, 6, 8, 10, 12, AND 14 FOOT INLETS

INLET NOTE:
WHERE INLETS ARE INDICATED TO BE MODIFIED, REFER TO PLAN/PROFILE SHEETS FOR ELEV. DIFFERENT SIZES OR MODIFICATIONS. ALL OTHER ITEMS SHALL REMAIN AS SHOWN ON THIS STANDARD DETAIL SHEET

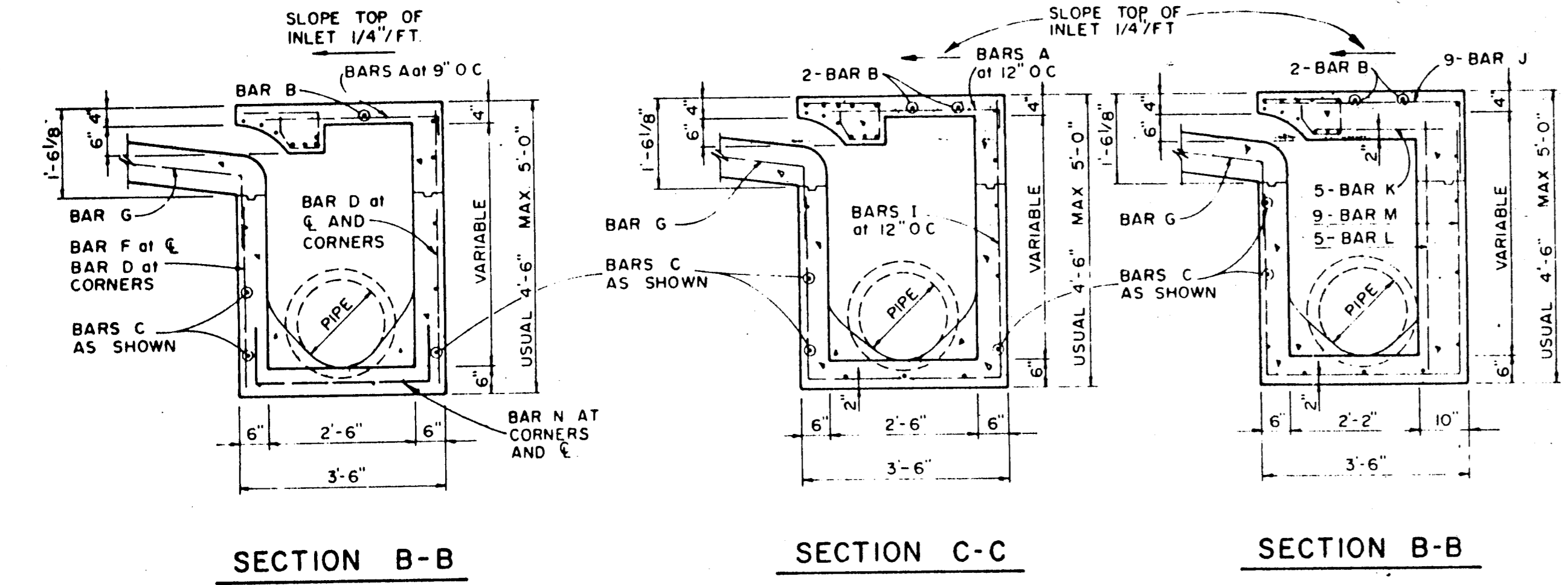


REINFORCING STEEL SCHEDULE

DIMENSIONS SHOWN ARE FOR MAXIMUM SIZE INLETS

INLET LENGTH	BAR TYPE	BAR DIA. (I/B IN)	NO. REQ'D	BAR DIMENSIONS		
				A	B	C
4	A	3	6	3'-2"	0'-3"	-
	B	3	1	2'-10"	-	-
	C	4	15	4'-8"	0'-6"	-
	D	4	5	4'-8"	-	-
	F	4	1	3'-2"	-	-
	G	3	5	2'-0"	1'-3"	-
6	H	3	4	-	-	4
	N	3	3	3'-2"	3'-2"	3'-2"
	A	3	9	3'-2"	0'-3"	-
	B	3	1	4'-10"	-	-
	C	4	15	6'-8"	0'-6"	-
	D	4	5	4'-8"	-	-
8	F	4	1	3'-2"	-	-
	G	3	5	2'-0"	1'-3"	-
	H	3	6	-	-	4
	N	3	3	3'-2"	3'-2"	3'-2"
	A	3	12	3'-2"	0'-3"	-
	B	3	1	6'-10"	-	-
10	C	4	15	8'-8"	0'-6"	-
	D	4	5	4'-8"	-	-
	F	4	1	3'-2"	-	-
	G	3	5	2'-0"	1'-3"	-
	H	3	8	-	-	4
	N	3	3	3'-2"	3'-2"	3'-2"
12	A	3	10	3'-2"	0'-3"	-
	B	3	2	8'-10"	-	-
	C	4	16	10'-8"	0'-6"	-
	D	4	4	4'-8"	-	-
	E	5	6	12'-8"	-	-
	G	3	5	2'-0"	1'-3"	-
14	H	3	18	-	-	4
	I	4	10	4'-8"	3'-2"	3'-2"
	J	5	9	3'-2"	1'-3"	-
	K	4	5	2'-3"	-	-
	L	4	5	4'-3"	-	-
	M	5	9	4'-3"	3'-2"	3'-9"
16	A	3	14	3'-2"	0'-3"	-
	B	3	2	10'-10"	-	-
	C	4	16	14'-8"	0'-6"	-
	D	4	4	4'-8"	-	-
	E	5	6	14'-8"	-	-
	G	3	5	2'-0"	1'-3"	-
18	H	3	21	-	-	4
	I	4	12	4'-8"	3'-2"	3'-2"
	J	5	9	3'-2"	1'-3"	-
	K	4	5	2'-3"	-	-
	L	4	5	4'-3"	-	-
	M	5	9	4'-3"	3'-2"	3'-9"

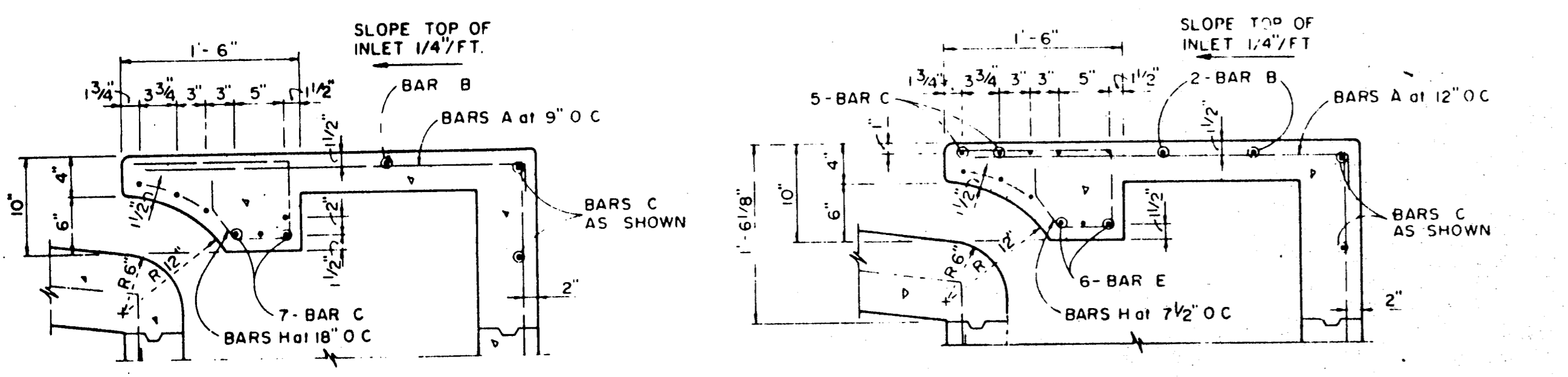
* SEE DIAGRAM FOR DIMENSIONS



SECTION B-B

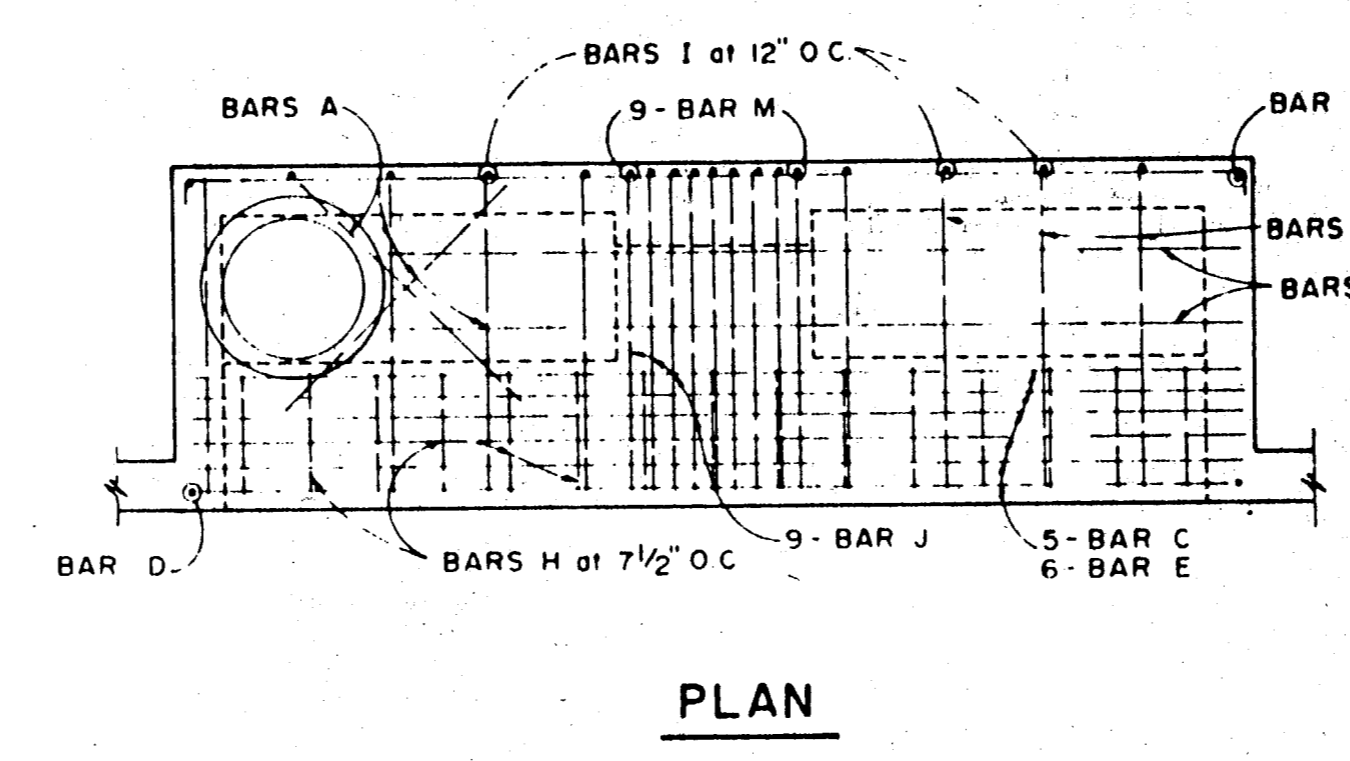
SECTION C-C

SECTION B-B

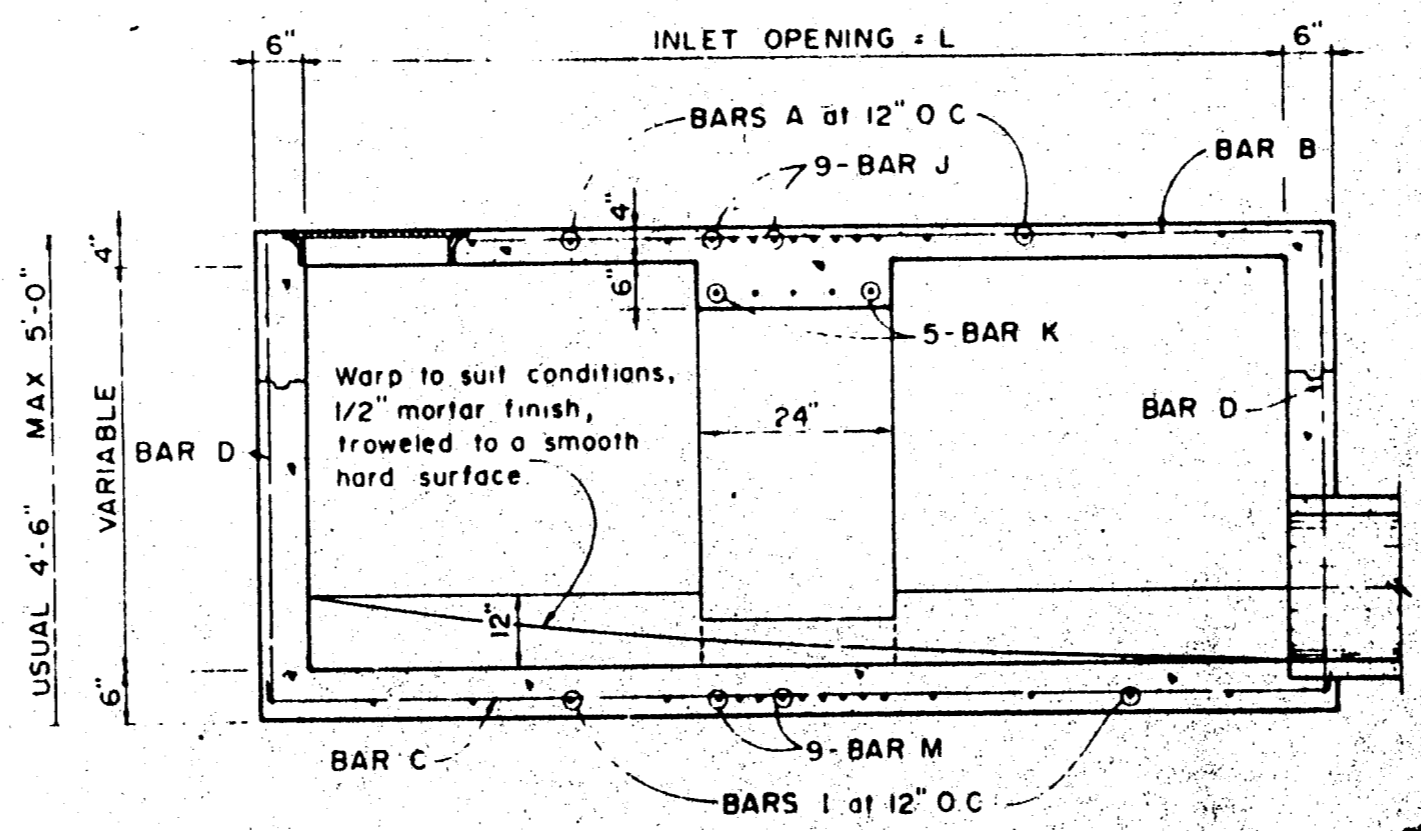


SECTION C-C

4, 6, AND 8 FOOT INLETS

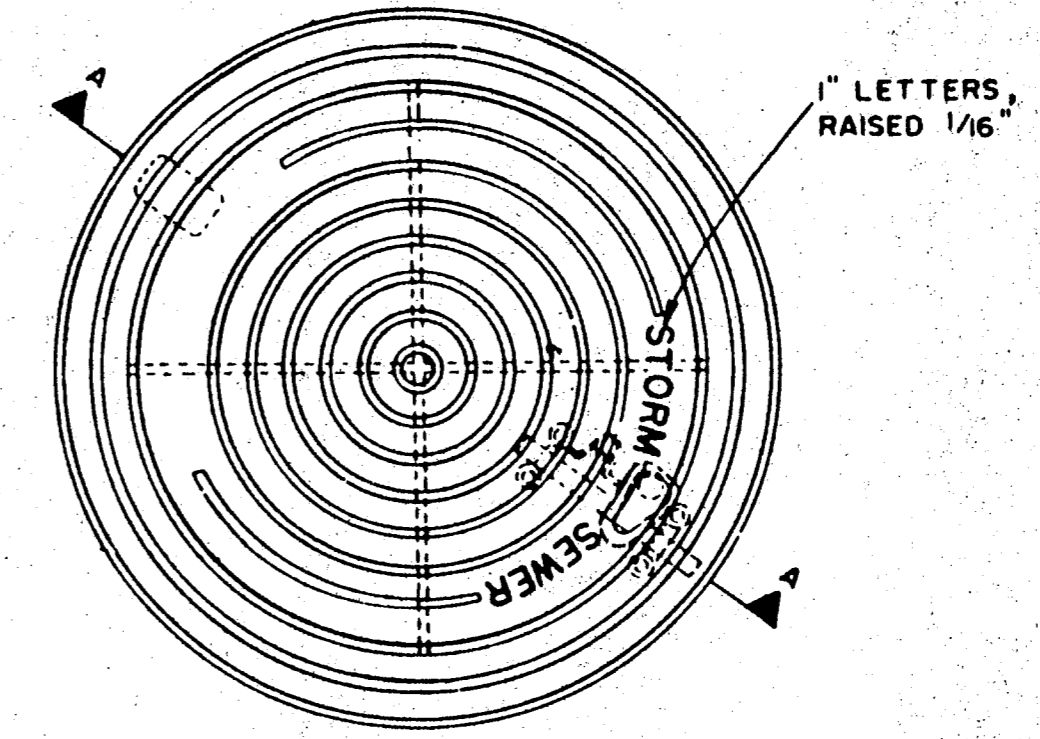


PLAN

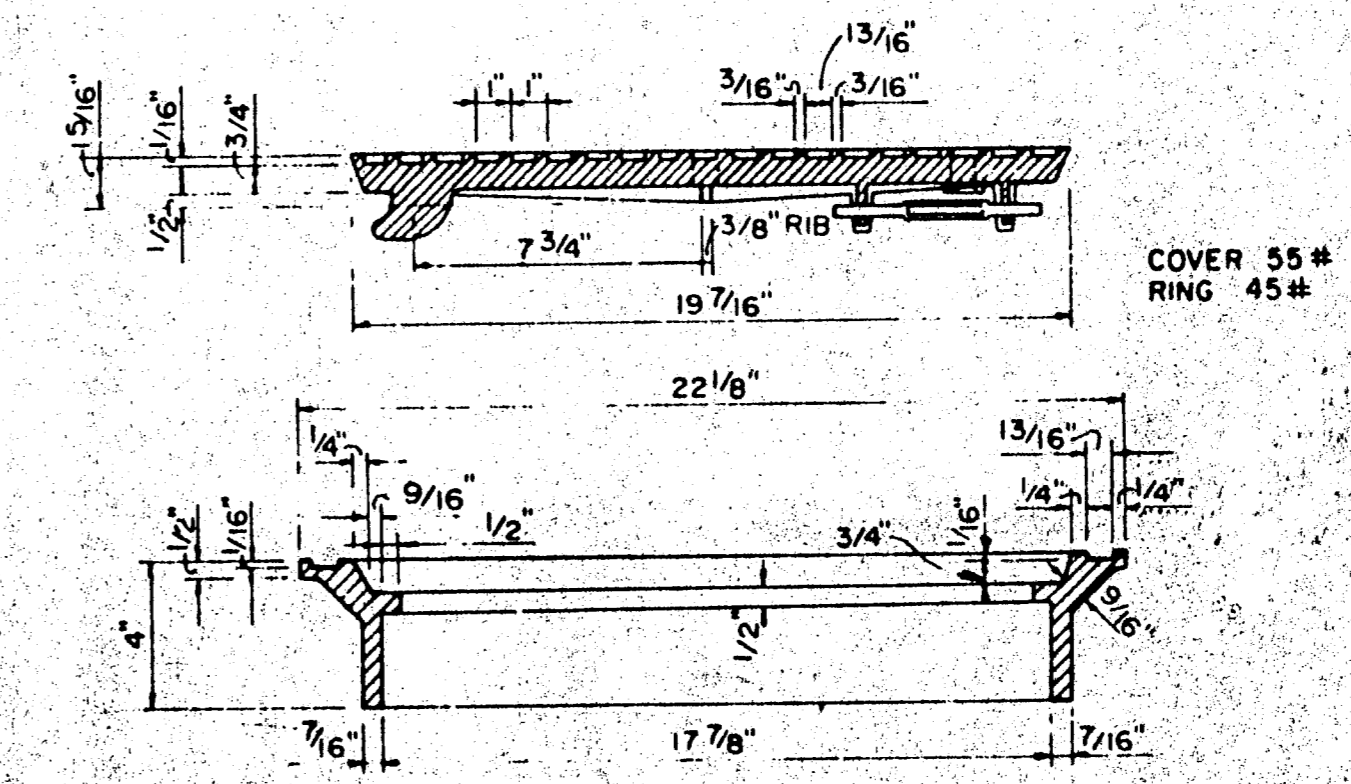


SECTION D-D FOR 12' & 14' ONLY

10, 12, AND 14 FOOT INLETS



PLAN OF FRAME



SECTION OF FRAME AND COVER

INLET FRAME AND COVER



TOWN OF ADDISON, TEXAS
DEPARTMENT OF ENGINEERING

STANDARD CONSTRUCTION DETAILS
STORM DRAINAGE

CURB INLETS

Designed -	Drawn -	Date -	Job No.
Approved -	Checked -	Scale -	Sheet 10 of