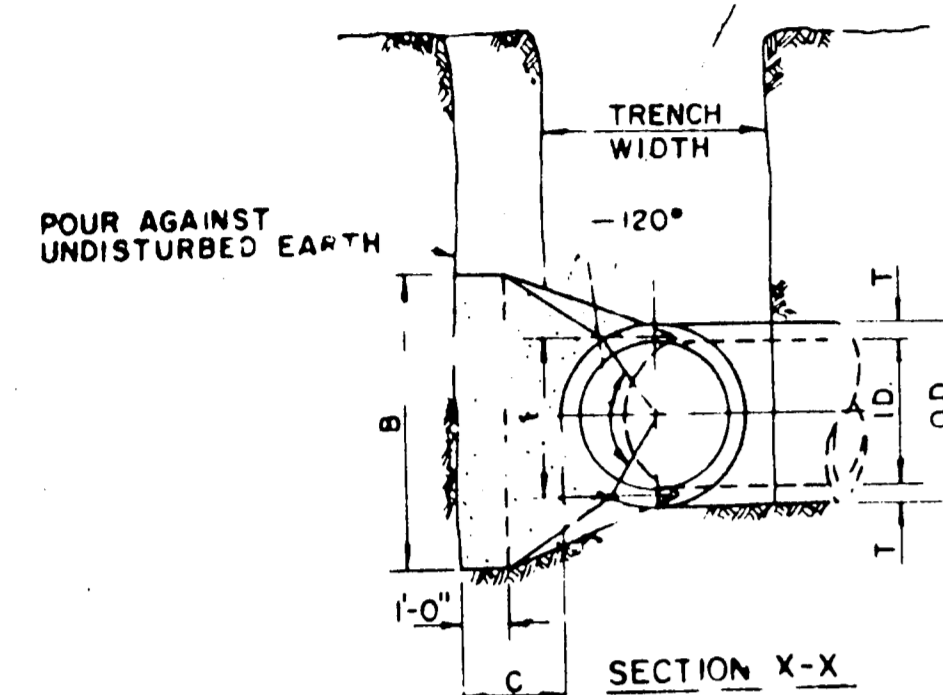


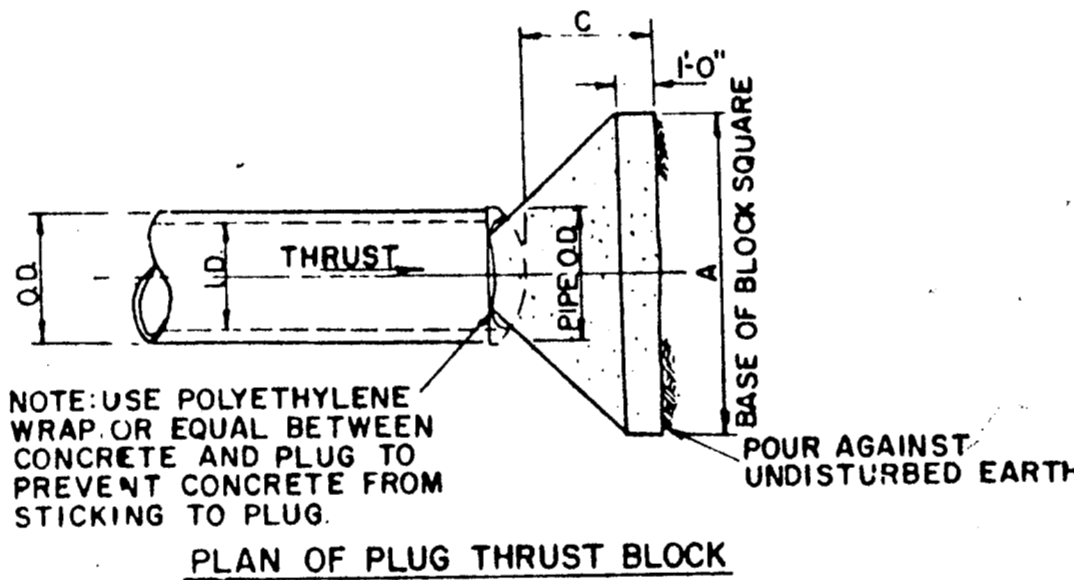
Table for Horizontal Bend Thrust Block with columns for I.D., Thrust, Volume, and Thrust for different pipe sizes and thrust values.



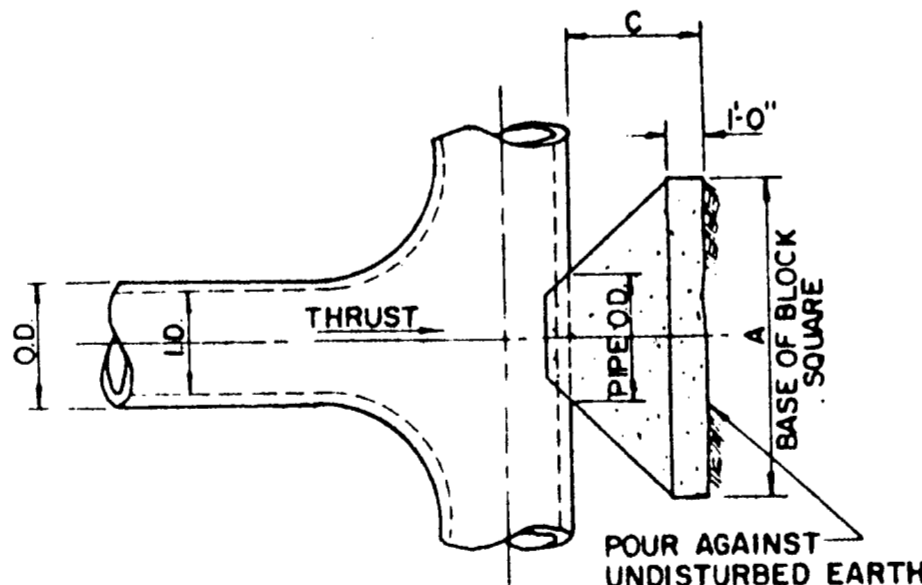
Large table for Horizontal Bend Thrust Block detailing thrust and volume for various pipe sizes (I.D. 4.68 to 96) and thrust values (11.25 to 22.50).

HORIZONTAL BEND THRUST BLOCK

Table for Plug & Tee Thrust Block showing thrust and volume for different pipe sizes and thrust values.



PLAN OF PLUG THRUST BLOCK



PLAN OF TEE THRUST BLOCK

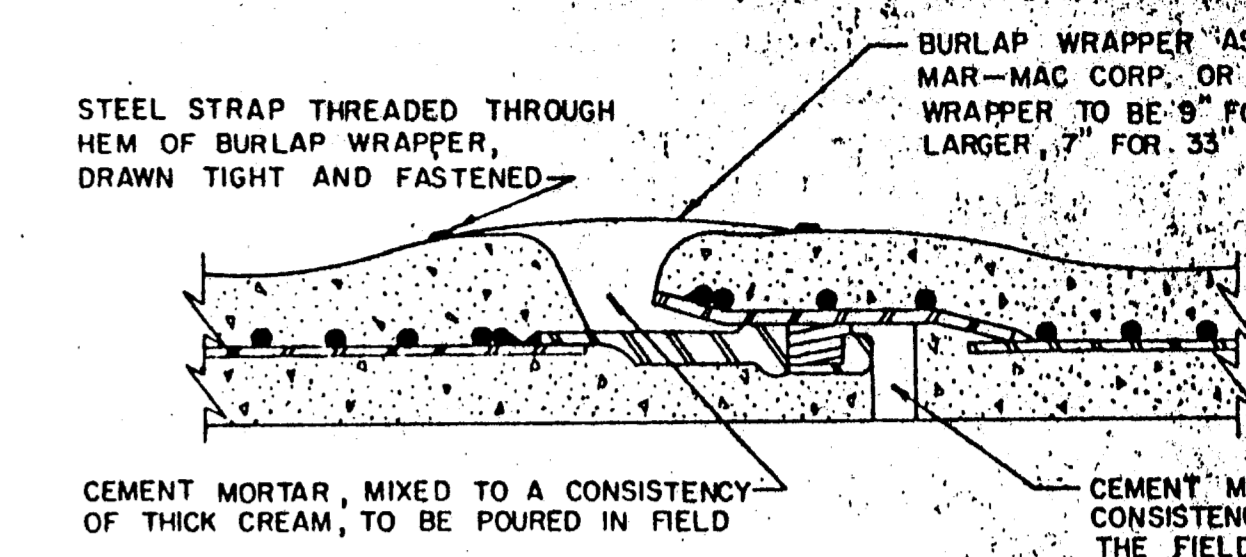
Table for Plug & Tee Thrust Block showing thrust and volume for various pipe sizes and thrust values.

PLUG & TEE THRUST BLOCK

PLUG & TEE THRUST BLOCK

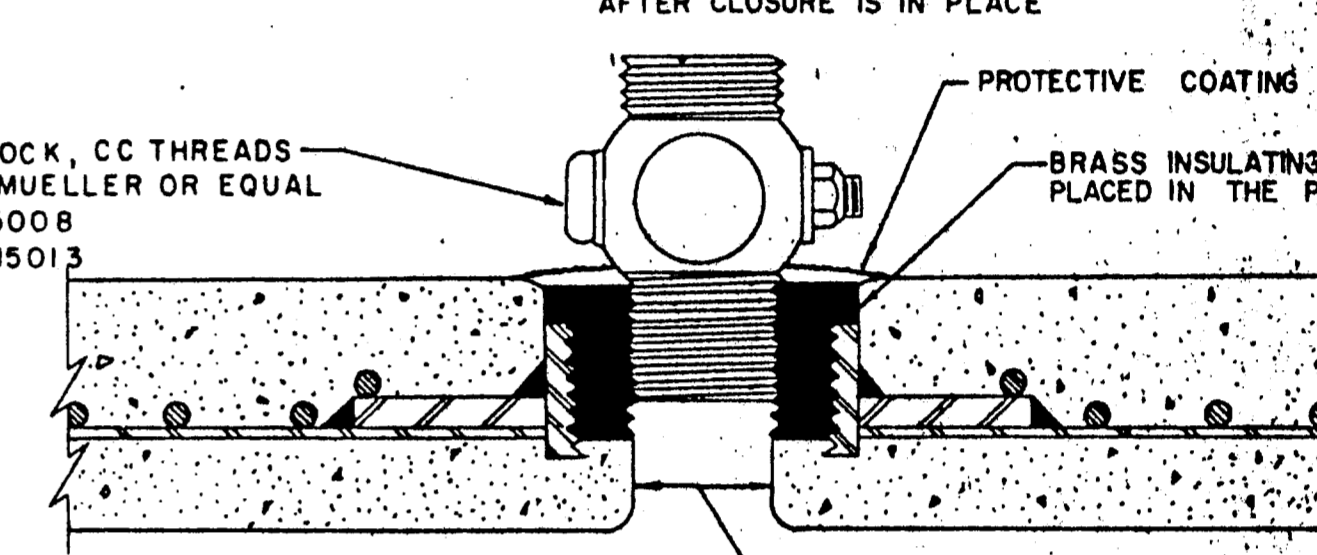
PLUG & TEE THRUST BLOCK

Table for Standard Rubber Gasket Joint showing thrust and volume for different pipe sizes and thrust values.

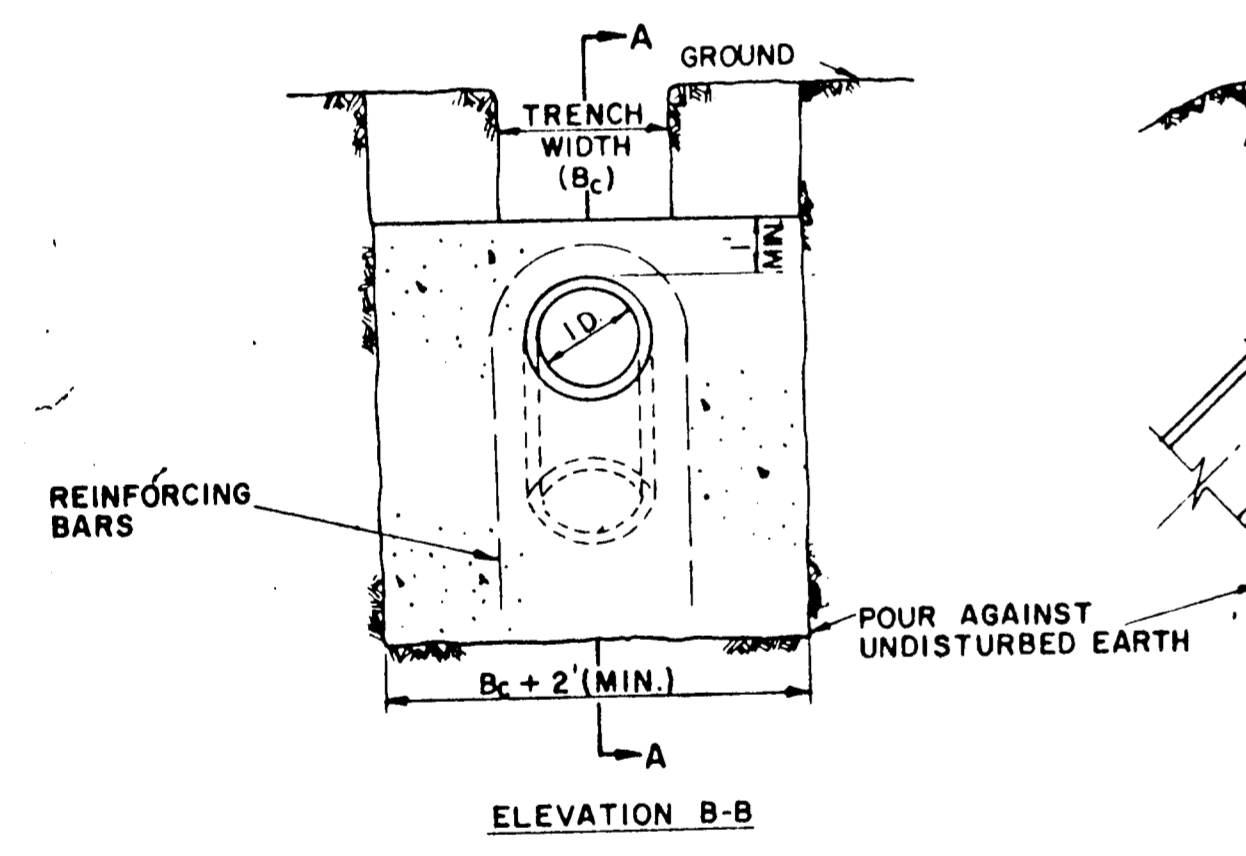


STANDARD RUBBER GASKET JOINT

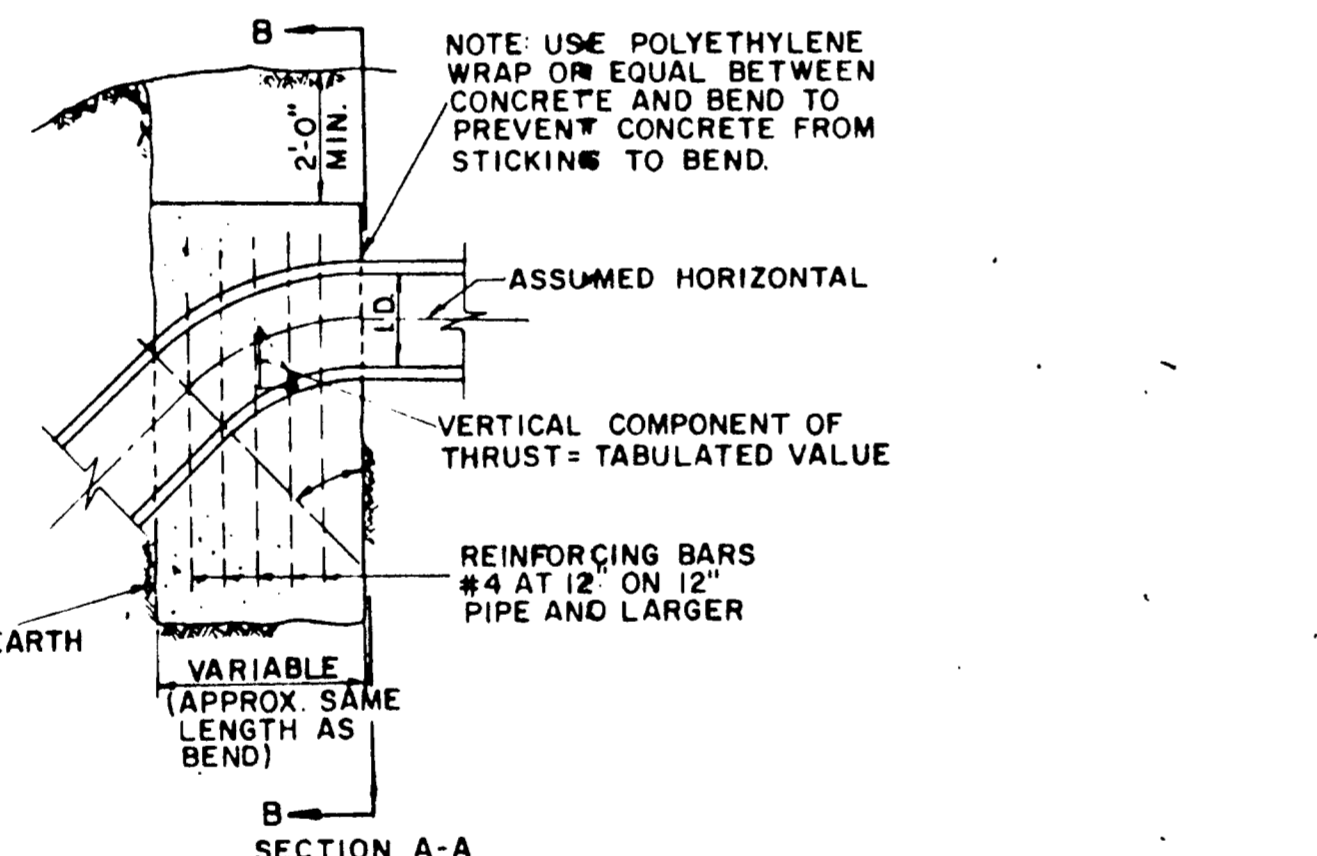
Table for Threaded Connection showing thrust and volume for different pipe sizes and thrust values.



THREADED CONNECTION



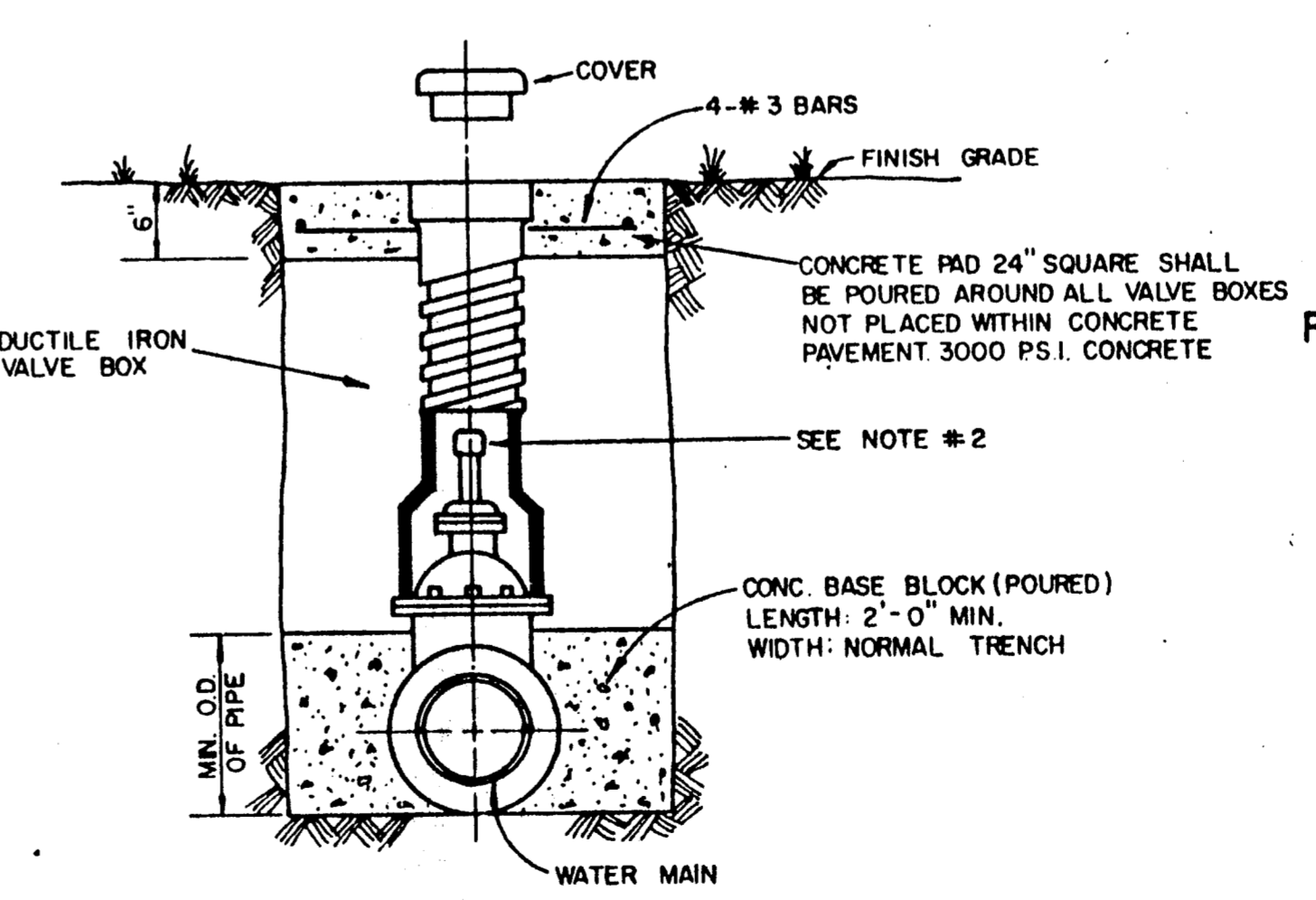
ELEVATION B-B



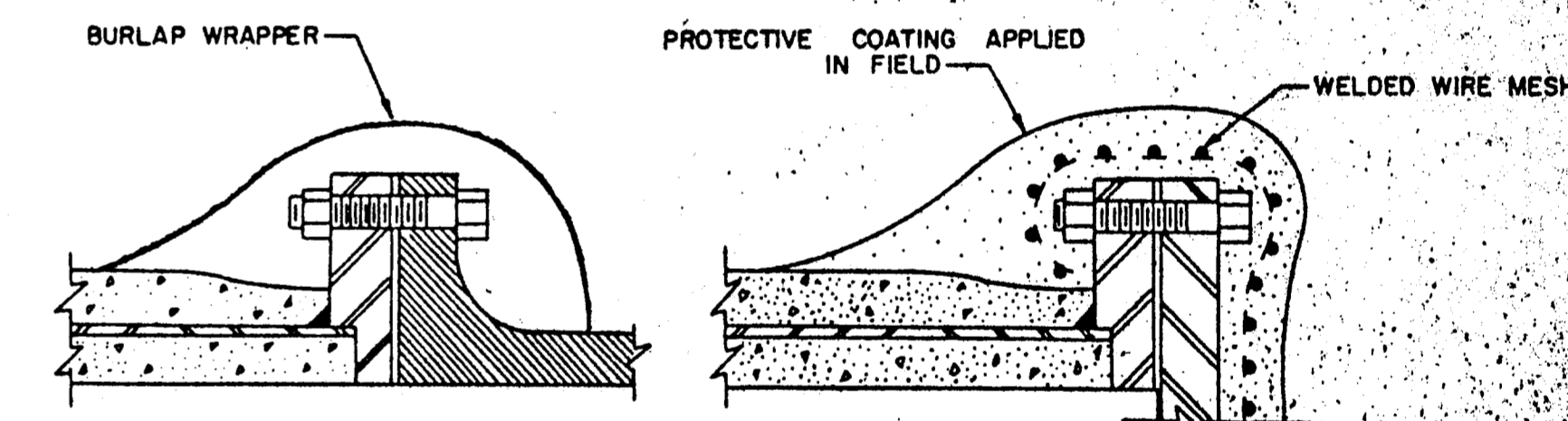
SECTION A-A

Table for Vertical Bend Thrust Block showing thrust and volume for various pipe sizes and thrust values.

VERTICAL BEND THRUST BLOCK



TYPICAL VALVE SETTING AND BOX



FLANGED CONNECTIONS

REINFORCED CONCRETE CYLINDER PIPE DETAILS

Form for STANDARD CONSTRUCTION DETAILS WATER THRUST BLOCKS, including fields for Town of Addison, Texas, Department of Engineering, and job details.

