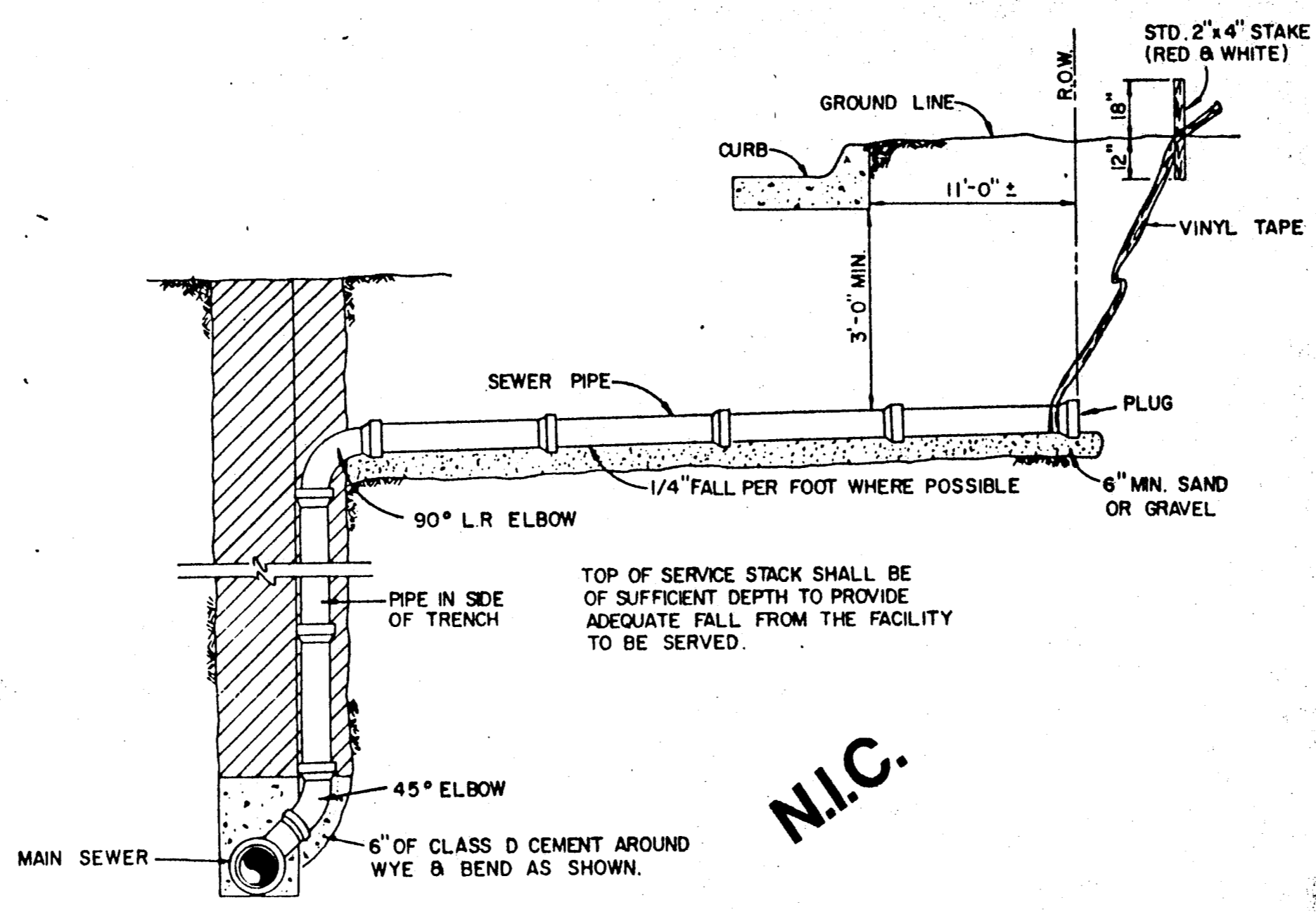
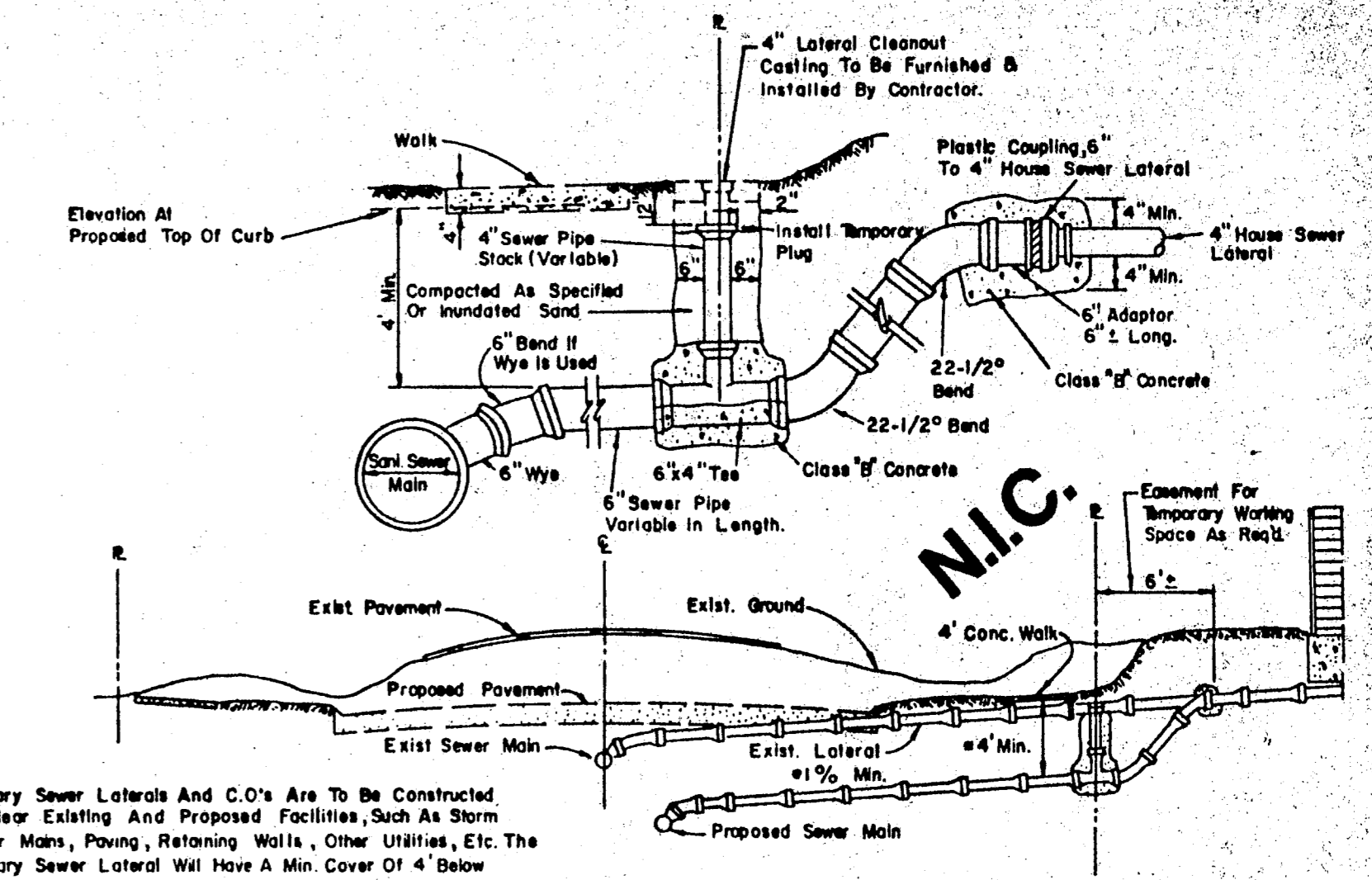


**SANITARY SEWER SERVICE CONNECTION**



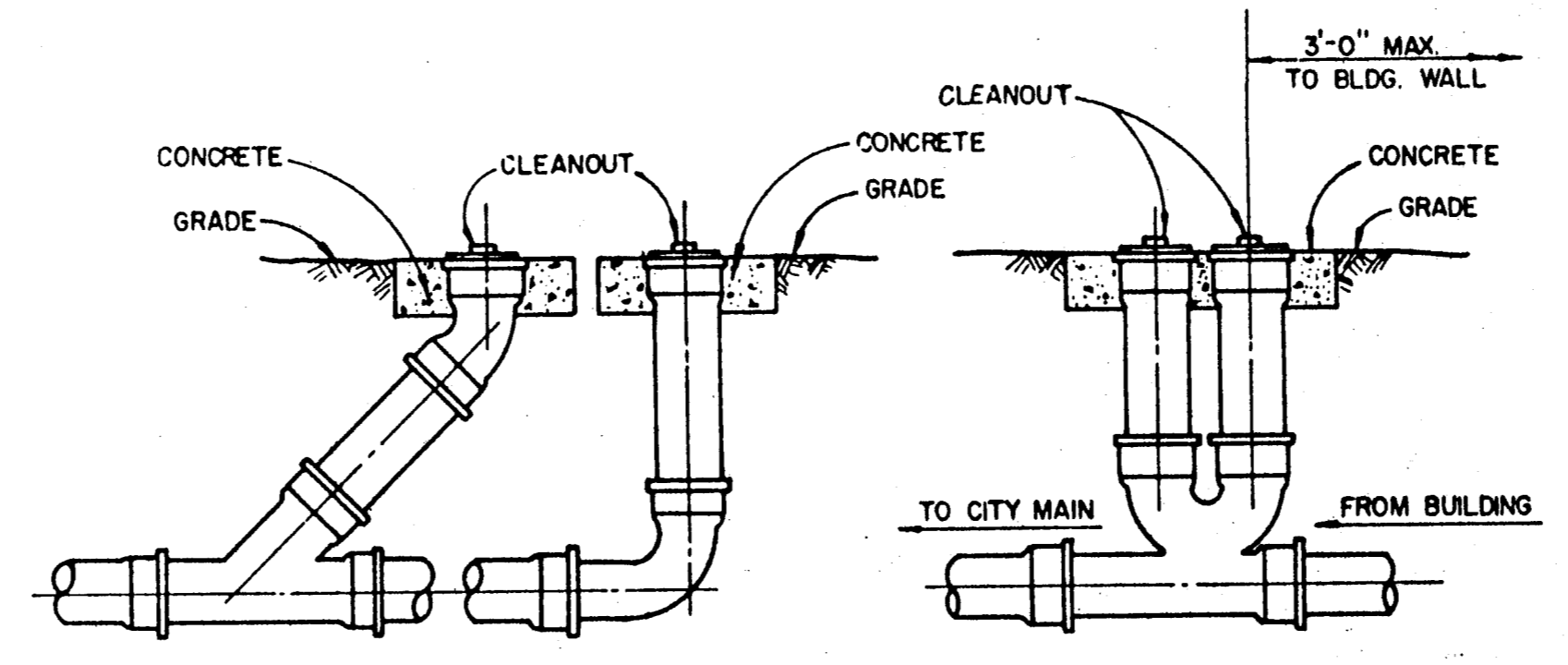
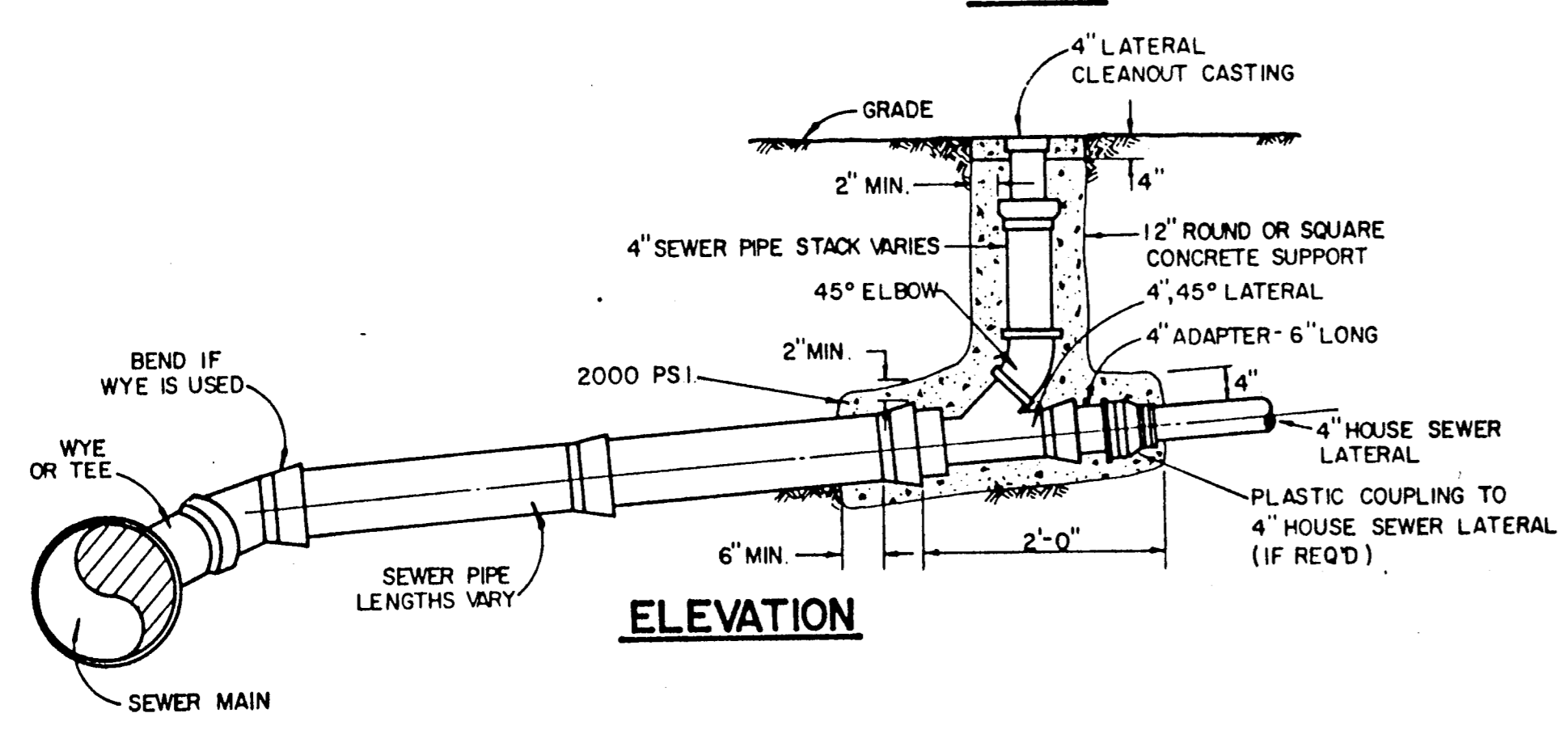
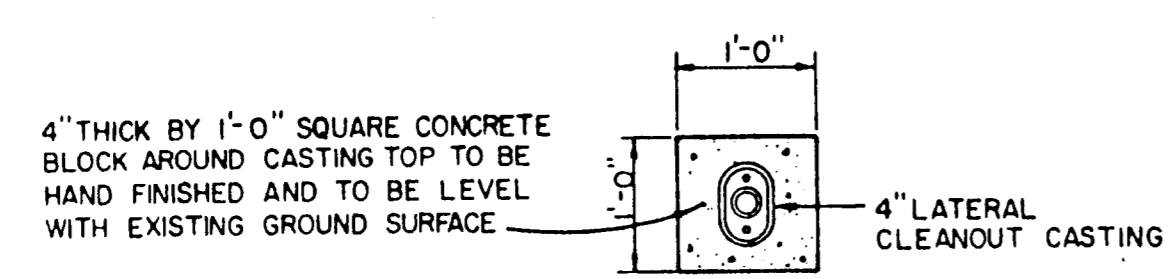
**SANITARY SEWER DEEP SERVICE CONNECTION**



Sanitary Sewer Laterals And C.O.'s Are To Be Constructed To Clear Existing And Proposed Facilities, Such As Storm Sewer Mains, Paving, Retaining Walls, Other Utilities, Etc. The Sanitary Sewer Lateral Will Have A Min. Cover Of 4' Below The Proposed Curb Grade At The Property Line.

**SANITARY SEWER LATERAL REPLACEMENT**

**NOTE:**  
Cleanout To Be Installed On Property Line Except As Required To Avoid Conflict With Existing Or Proposed Facilities In Which Case The Location Shall Be Determined By The Engineer.



ALL PVC SANITARY SEWER PIPE TO BE SDR 35 WITH INTEGRAL BELL. IT SHALL BE THE RESPONSIBILITY OF THE CONTRACTOR TO FIELD LOCATE HORIZONTALLY EACH 4' SERVICE IN RELATION TO THE SANITARY SEWER STATIONING. FIELD TIES ARE TO BE INCLUDED AND RECORDED ON ALUMINIZED SANITARY SEWER TAPE. THIS TAPE, GREEN OR RED IN COLOR IS TO BE ATTACHED TO THE 4' SERVICE AT THE ROW LINE AND BROUGHT TO THE SURFACE TO BE USED AS A PERMANENT MARKER.



TOWN OF ADDISON, TEXAS  
DEPARTMENT OF ENGINEERING  
**STANDARD CONSTRUCTION DETAILS**  
**SANITARY SEWER**  
**LATERALS AND CLEANOUTS**

Designed -	Drawn -	Date -	Job No.
Approved -	Checked -	Scale -	Sheet 17 of 17