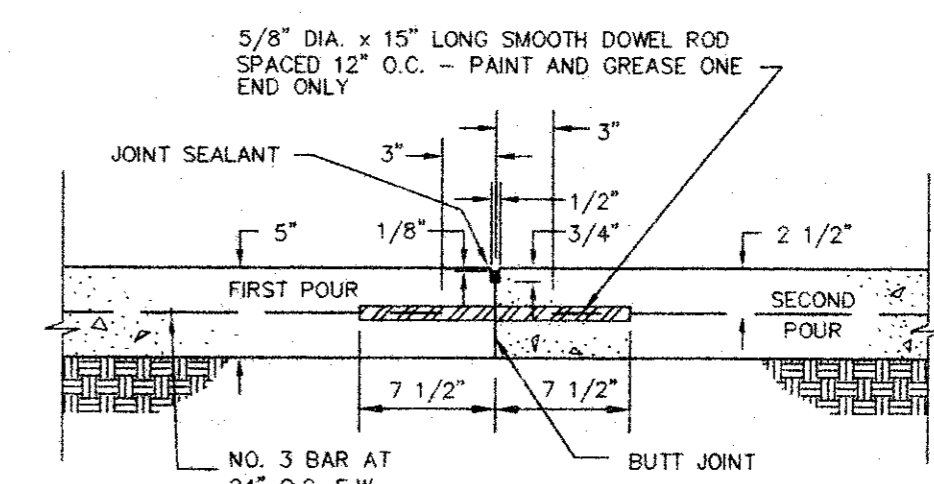


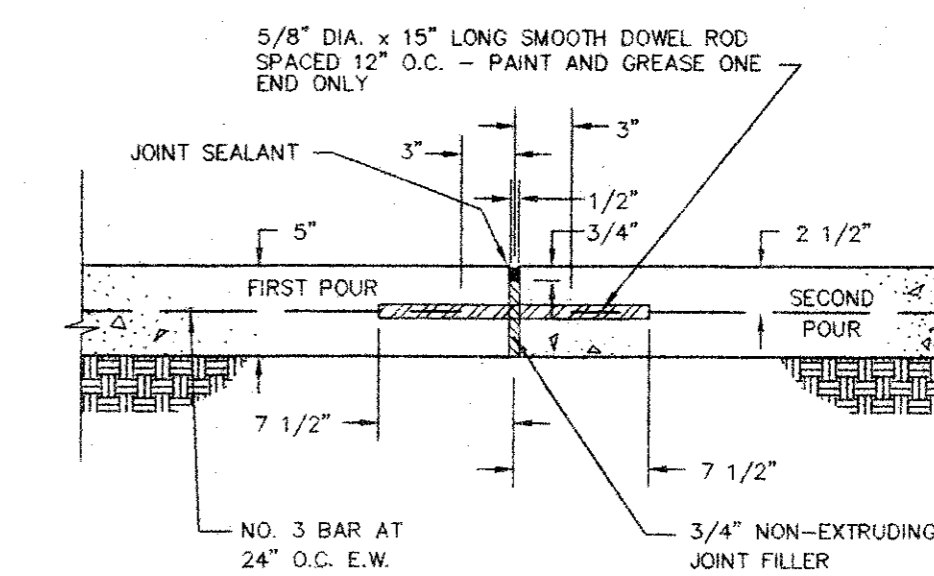
$\Delta=06'17'12''$
 $R=1005.00'$
 $L=110.27'$
 $T=55.19'$
 $LC=110.22'$
 $CB=S86'51'24''W$



NOTE: CONSTRUCT EXPANSION JOINT WHENEVER THE PLACEMENT OF CONCRETE IS SUSPENDED FOR MORE THAN 30 MINUTES.

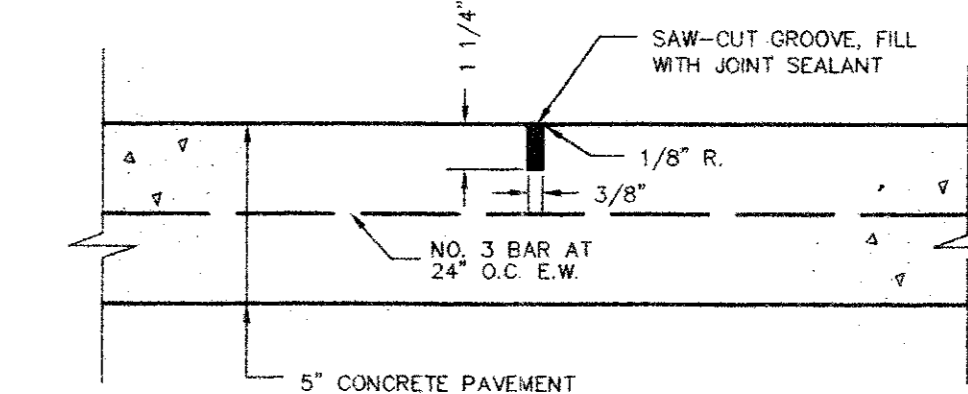
CONSTRUCTION JOINT DETAIL

NOT TO SCALE



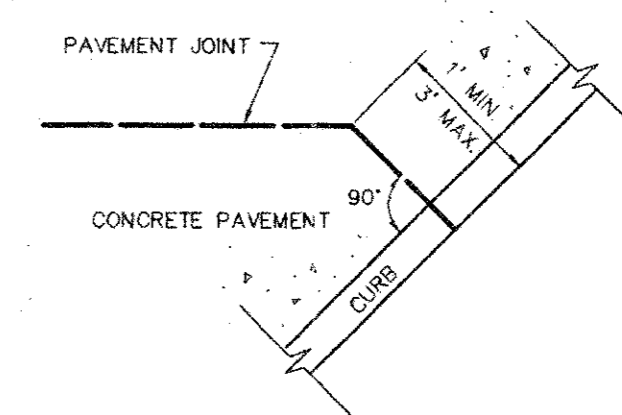
EXPANSION JOINT DETAIL

NOT TO SCALE



CONTRACTION JOINT DETAIL

NOT TO SCALE



DETAIL OF PAVEMENT JOINT AT CURB

NOT TO SCALE

LEGEND

- E — E — EXPANSION JOINT
- — — — — CONTRACTION JOINT
- — — — — FLOWLINE OR INVERT

REVISIONS:	
DATE	DESCRIPTION
8-09-93	ADDED HC PARKING
9-07-93	REVISE FIRELANE

PREPARED BY:
DEWEY & ASSOCIATES
 ENGINEERING, SURVEYING
 LAND PLANNING, CAD DESIGNS
 2805 TEXAS DRIVE, SUITE 110 • IRVING, TEXAS 75062 • 214/255-1501

PROPOSED
SPRING CREEK BARBEQUE
 MIDWAY ROAD AT BELTWAY DRIVE — ADDISON, TEXAS

SHEET TITLE	
JOINT PATTERN PLAN	
DATE:	JUNE 21, 1993
SCALE:	1" = 20'
DRAWN BY:	SAS (ACAD)
CHECKED BY:	JDJ
SHEET NO.	C5 OF 6

AS BUILT

