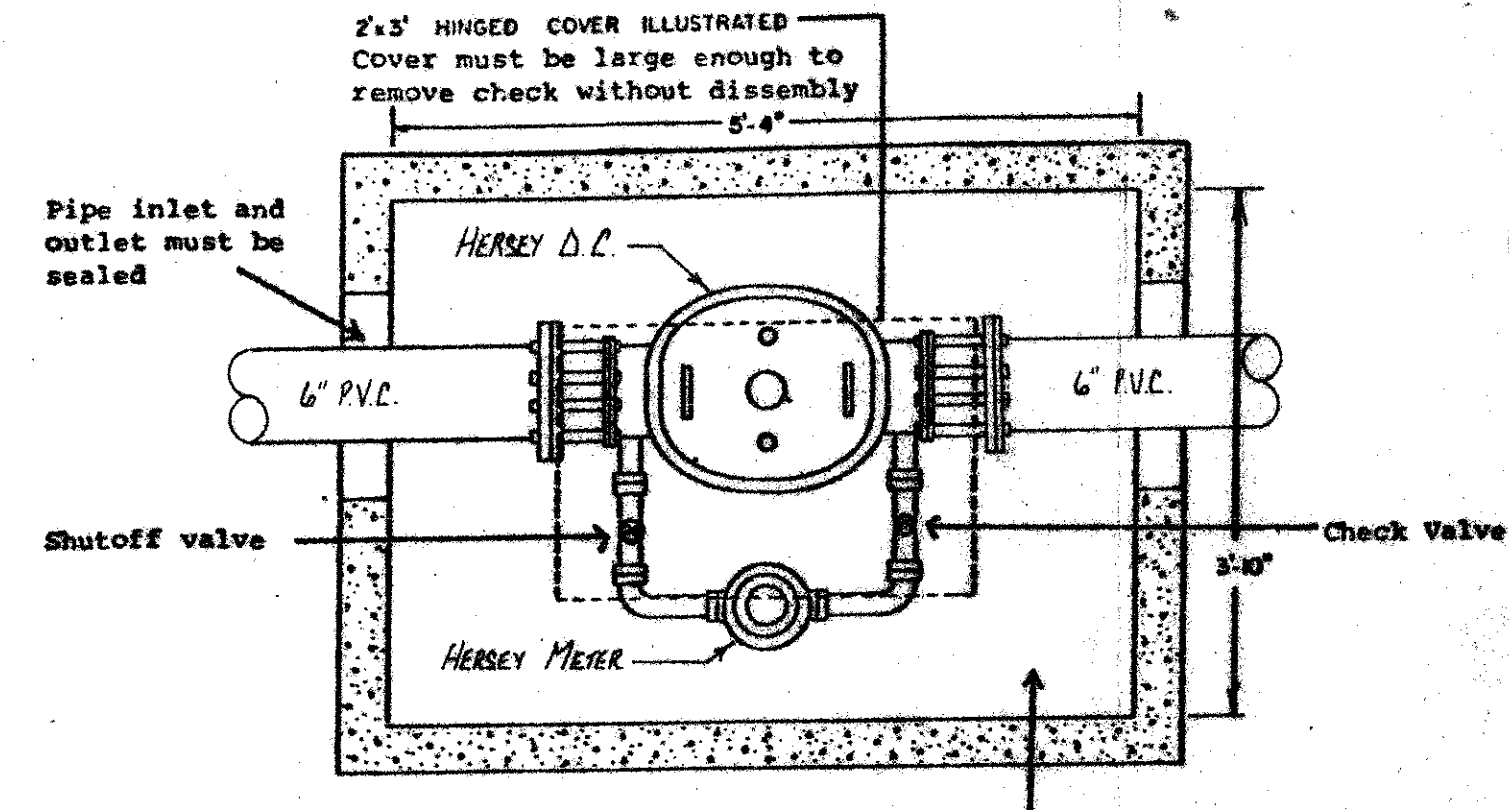


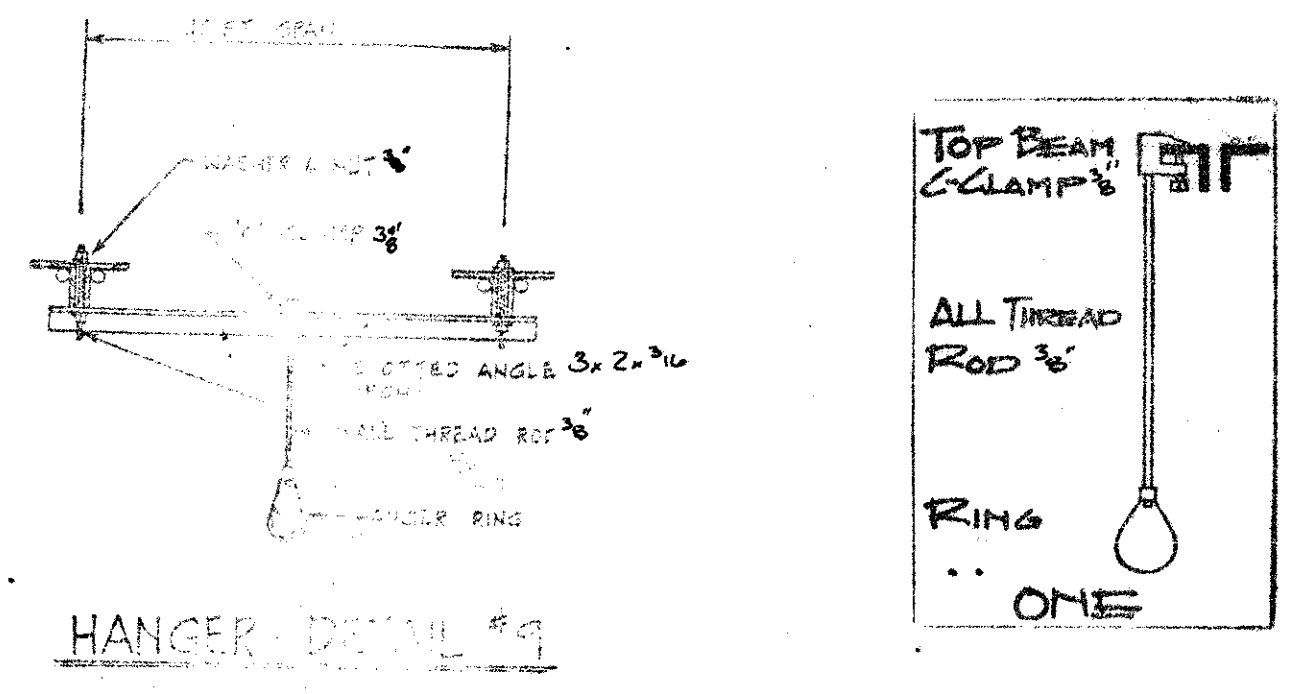
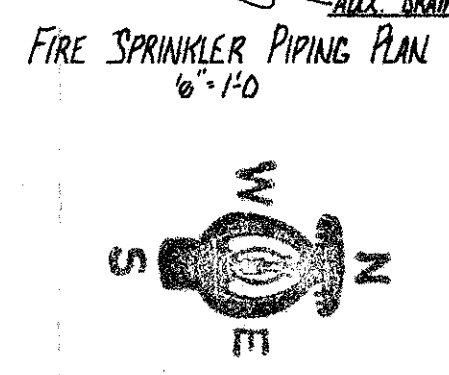
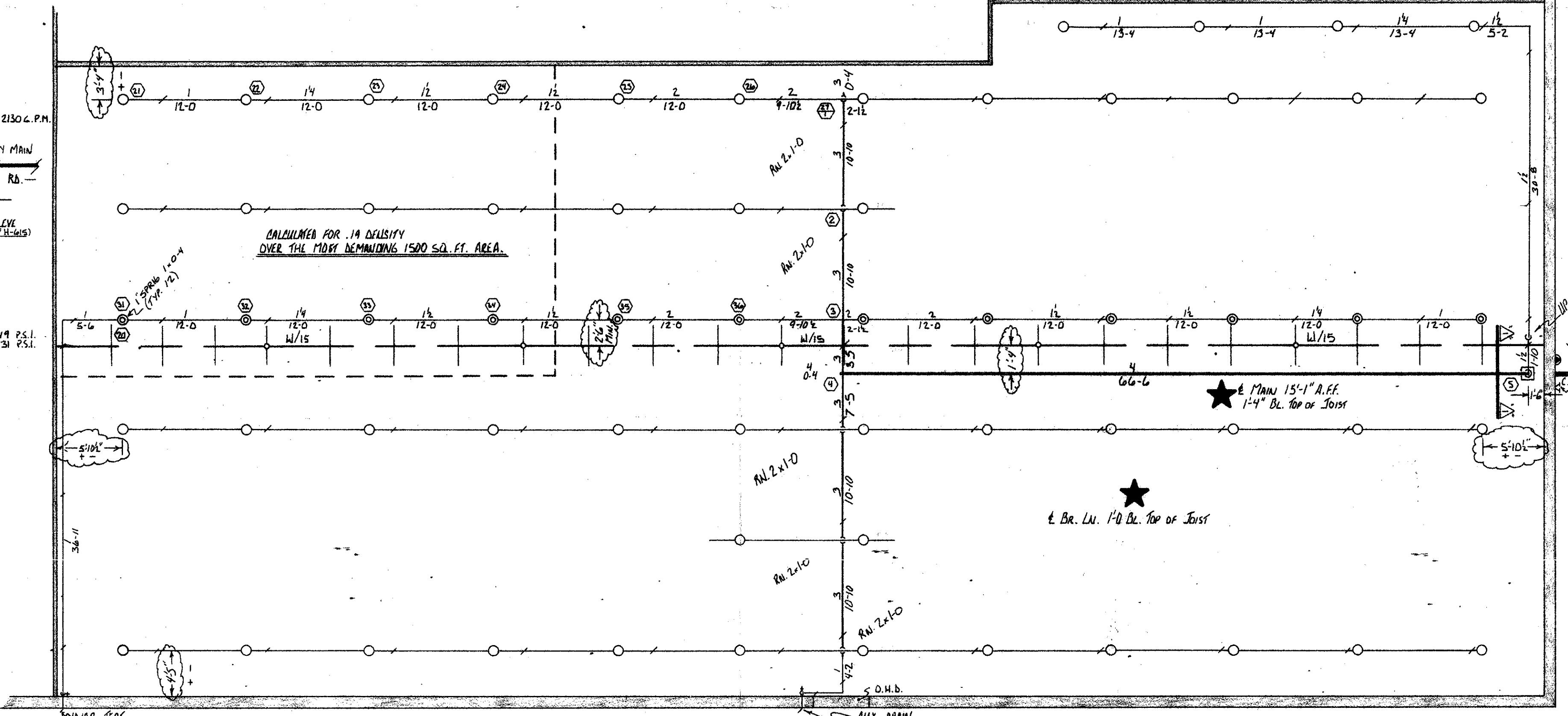
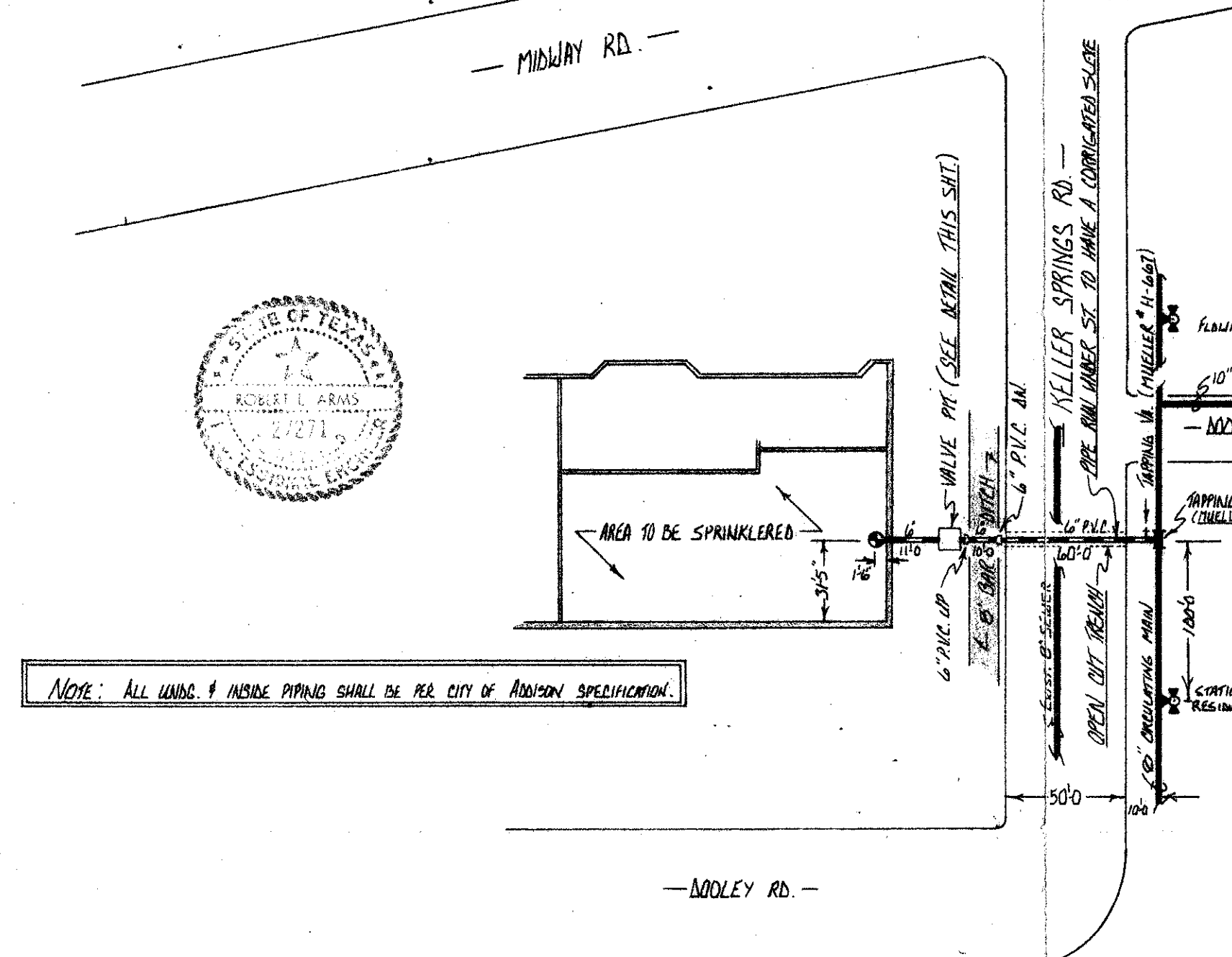
12/29/83



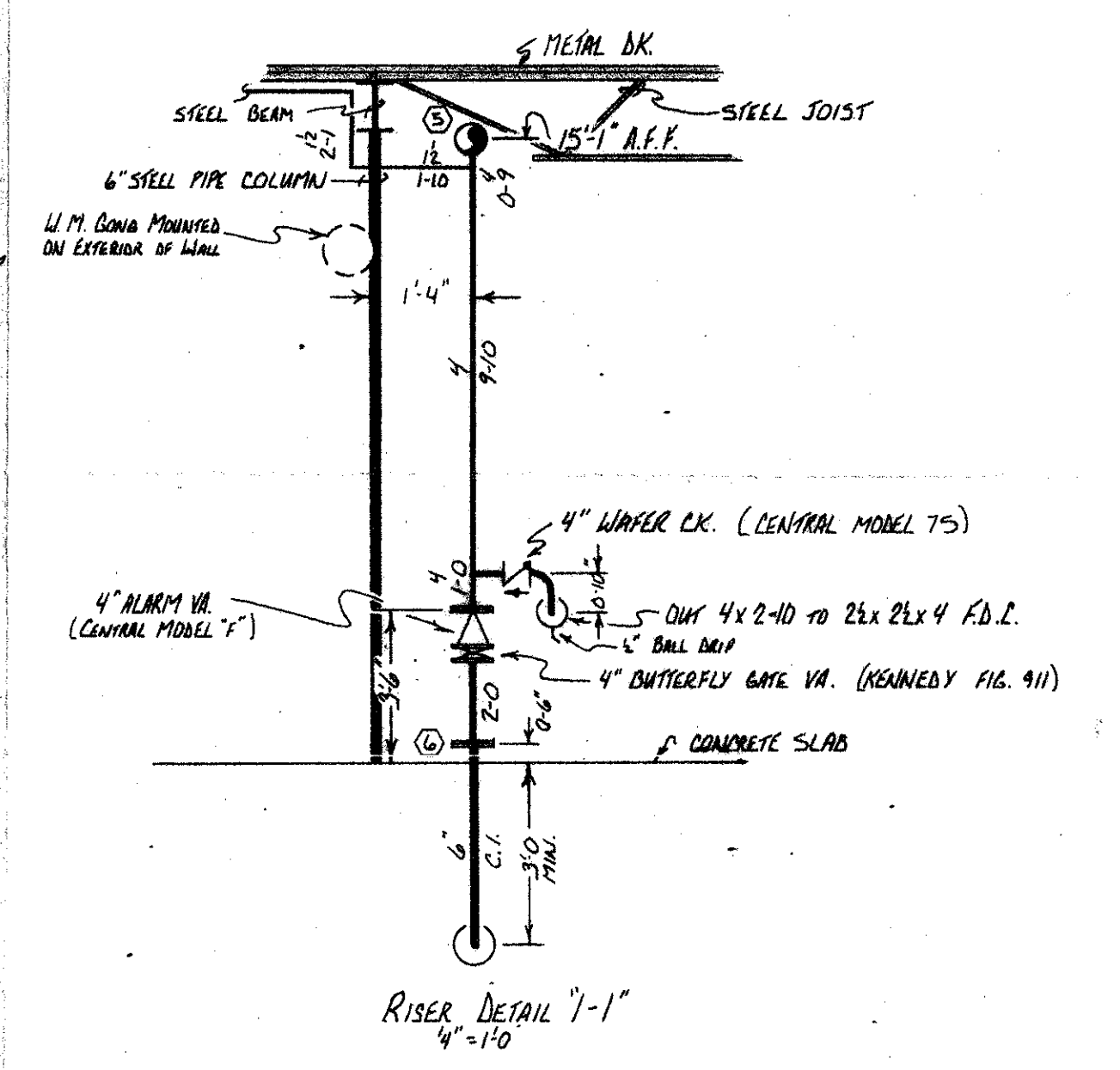
TYPICAL INSTALLATION OF CLOSED FIRE LINE SERVICE WITH 6\"/>

Concrete floor sealed between floor and walls

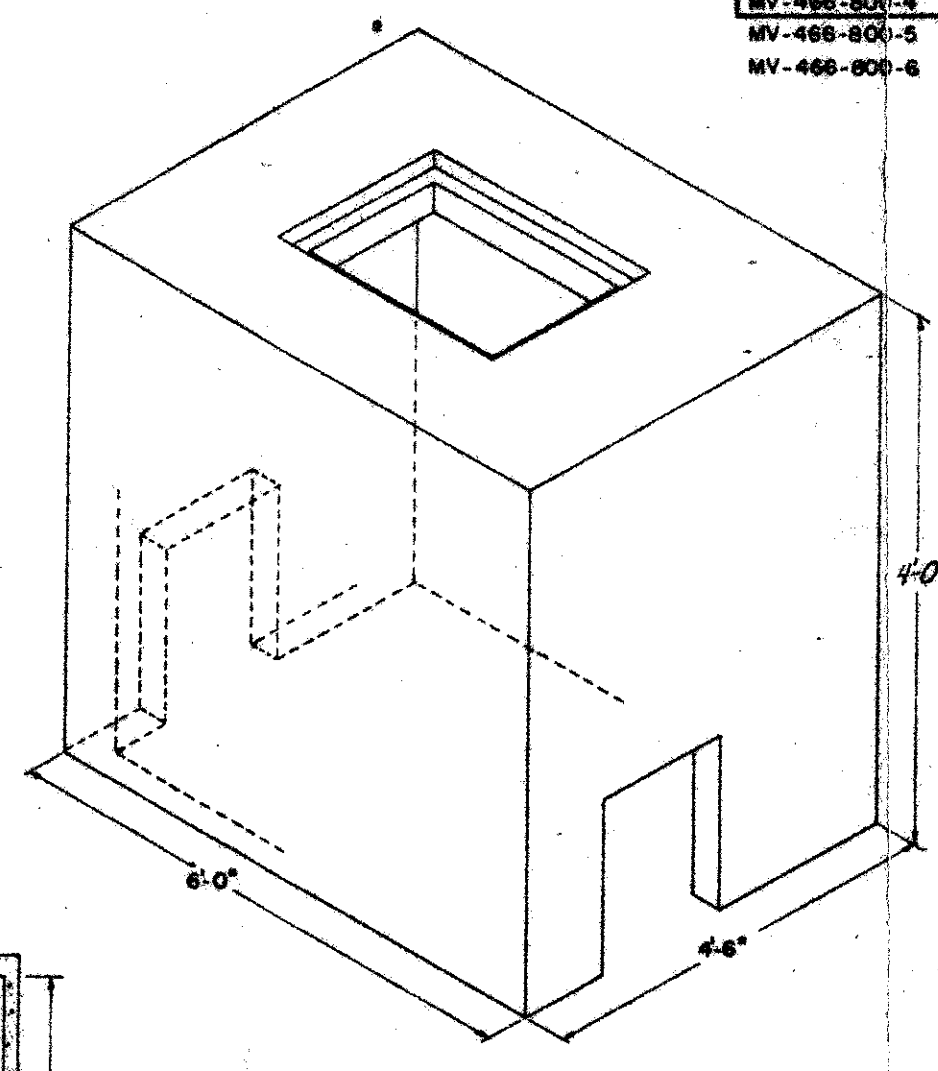
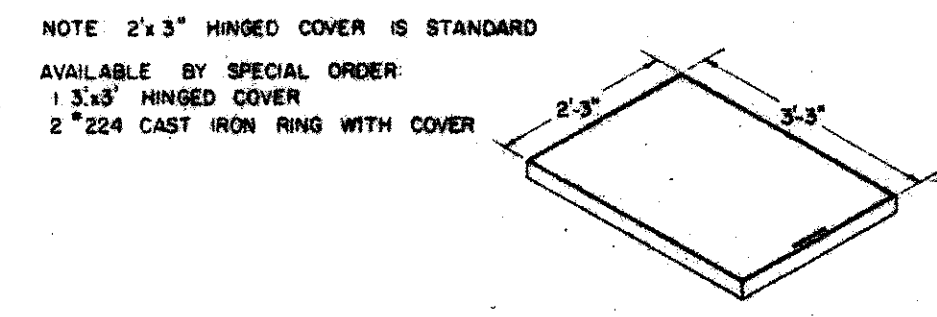
Valve Pit Detail (Per City of Addison Specification)



HANGER DETAIL #1



RISER DETAIL 1-1 4x4



BROOKS MV-466-800-6 DC METER VAULT BROOKS PRODUCTS, INC

- NOTE: BACKFILL AND REPAIRING TO BE PROVIDED BY A.A.S.
1. THE TOP SADDLE AND ALL P.I. FITTINGS SHALL BE POLYWRAPPED.
  2. ALL P.V.C. PIPE SHALL HAVE A NO. 12 PLASTIC COVERED COPPER WIRE PLACED IN THE TRENCH OVER THE WAFER LINE. P.V.C. PIPE SHALL HAVE A STEEL SLEEVE.
  3. BEDDING MATERIAL SHALL BE SAND. THE SAND SHALL BE PLACED 6\"/>
  - 4. DETECTOR CHECK AND METER SHALL BE NO LOWER THAN 18\"/>
  - 5. MIN. DEPTH OF BASE PAD FOR METER VAULT TO BE 6\"/>

CITY OF ADDISON APPROVED  
Office Construction  
BURLINGHE DEPARTMENT  
1-10-83

DATE: CONTRACTOR TO HERSEY INSTRUCTED TO EXERCISE CARE IN THE USE OF COMPONENTS OF THE EQUIPMENT OF THIS PROJECT AND TO BE RESPONSIBLE FOR THE PROPER INSTALLATION AND APPROVAL OF THESE COMPONENTS. THE CONTRACTOR SHALL BE RESPONSIBLE TO THE CITY OF ADDISON TO OBTAIN ALL NECESSARY PERMITS AND APPROVALS TO SUCH EFFECT.

REVIEWING AGENCY	STANDARD SYMBOLS	FITTING SYMBOLS	PIPING SHALL BE:	DESIGN CRITERIA	SYSTEM	SPRINKLERS					
OWNER-OCCUPANT	UPRIGHT	WELDED JOINT	FEED MAIN <input type="checkbox"/> <input type="checkbox"/> <input type="checkbox"/>	OCCUPANCY: <i>Mfg. Warehouse</i>	WET <input type="checkbox"/>	SYMBOL	TYPE	OR	K	TEMP	QUANT.
	PENDANT	THREADED PIPE O LET	CROSS MAIN <input type="checkbox"/> <input type="checkbox"/> <input type="checkbox"/>	HAZARD: <i>Ordinary Group (2)</i>	DRY <input type="checkbox"/>	○	<i>Central Model 'A'</i>	3 1/2"	8.1	212°	64
	UPRIGHT ON 1" SPRIG UP	GROOVED SHARP NIP	BRANCH LINE <input type="checkbox"/> <input type="checkbox"/> <input type="checkbox"/>	CLASS	DELUGE <input type="checkbox"/>	⊗	<i>Central 'A' on 1" Sprigs</i>	2 1/2"	8.1	212°	12
	PENDANT ON 1" DROP	WELDED SHARP NIP	STARTER PIECES <input type="checkbox"/> <input type="checkbox"/> <input type="checkbox"/>	DENSITY: <i>.19</i>	PNEACTION <input type="checkbox"/>						
WALL THICKNESS OF THINWALL PIPE	SPRINKLER GUARD	COMPANION FLANGE	RISER NIPPLES <input type="checkbox"/> <input type="checkbox"/> <input type="checkbox"/>	CALCULATED AREA: <i>1500</i>	FOAM <input type="checkbox"/>						
1" THRU 2": <i>100</i>	SIDEWALL SPRINKLER	GENERAL NOTES	BRANCH LINE FITTINGS SHALL BE	AREA PER SPRINKLER: <i>129.66 R</i>	COMBINATION <input type="checkbox"/>						
2" THRU 4": <i>120</i>	VALVE (GENERAL)	CONTROL ELEVATION		STORAGE HEIGHT: <i>14'-2 1/2"</i>							
4" AND 6": <i>124</i>	FLGD. CHECK VALVE	CONTROL DIMENSION	VALVE SCHEDULE	NOTES:							
8" AND 10": <i>100</i>	WAFER CHECK VALVE	BTOS BELOW TOP OF STEEL		TOTAL HEADS THIS SHEET	76						
	SPRINKLER RISER	AFF ABOVE FINISHED FLOOR		TOTAL HEADS FOR PROJECT	76						
		SPRINKLER PIPING DIMENSIONS SHOWN ARE C. TO C.									
DESIGNER: <i>C. Nole</i>				<b>AMERICAN AUTOMATIC SPRINKLER INC.</b> 600 DeCosta Street Ft. Worth, Texas 76111 Phone: 831-0366 Metro: 429-2504 NAME: <i>SPECTRUM</i> DATE: <i>12/29/83</i> CONTRACTOR: <i>MIDWAY RD. ADDISON, TEXAS</i> SCALE: <i>1/4" = 1'-0"</i> SHEET NO: <i>1 of 1</i>							