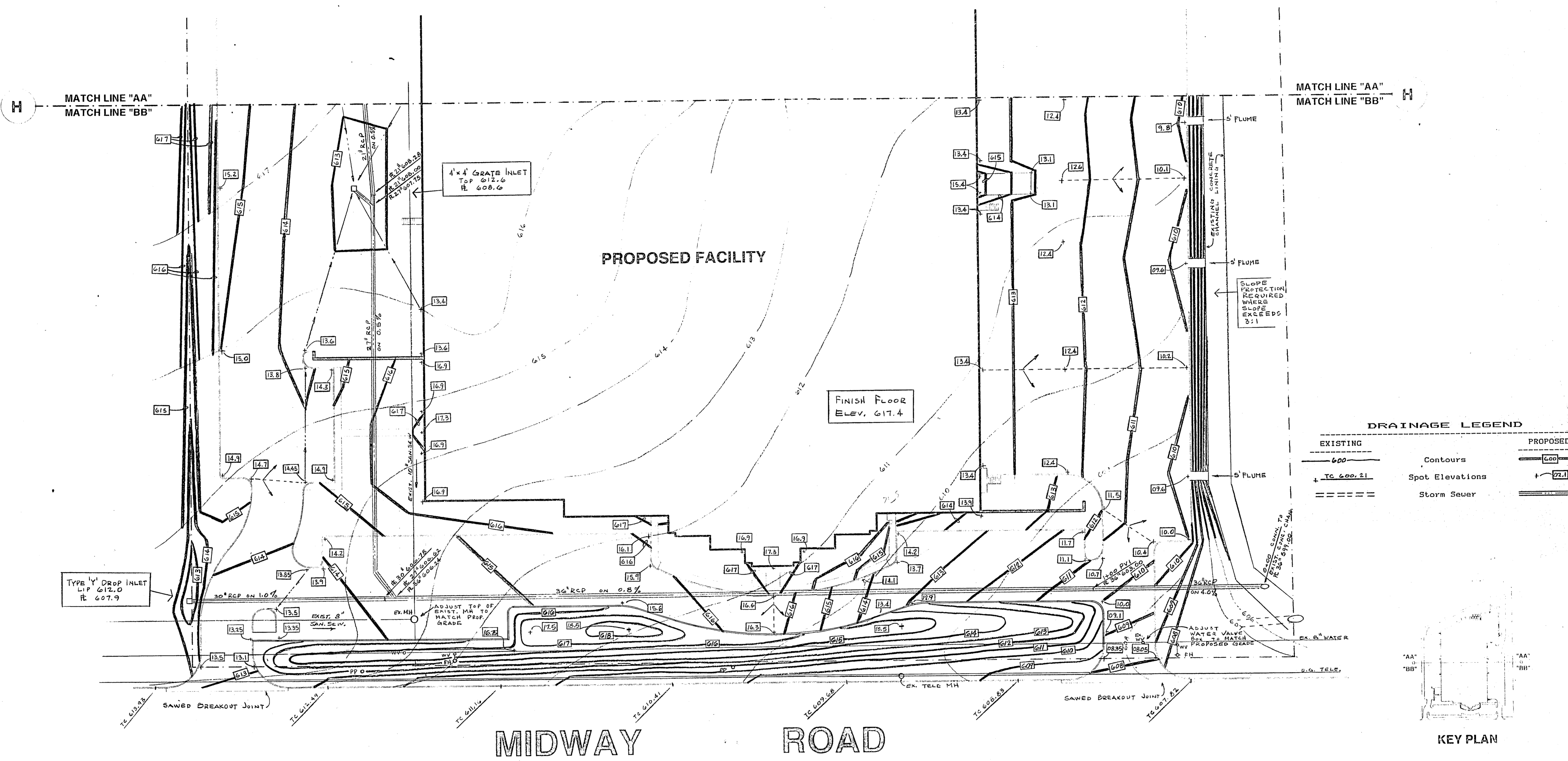
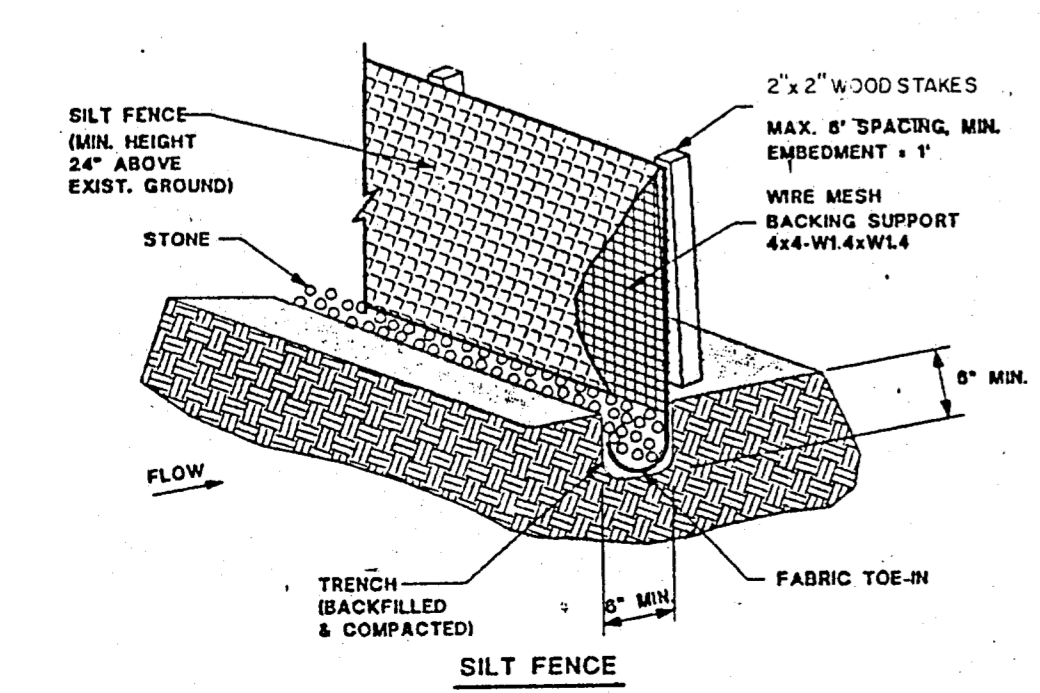


DATE	4-20-95
JOB NO.	95010
REV. DATE	5-10-95
REV. DATE	
REV. DATE	
SHEET:	C1.1



DRAINAGE LEGEND

EXISTING	PROPOSED
--- Contours ---	--- Contours ---
--- Spot Elevations ---	--- Spot Elevations ---
--- Storm Sewer ---	--- Storm Sewer ---



NOTE: CONTRACTOR SHALL PROVIDE EROSION CONTROL SILT FENCING THROUGH-OUT DURATION OF CONST. ALONG ENTIRE LENGTH OF R.O.W. @ MIDWAY RD, ENTIRE LENGTH OF DRAINAGE CHANNEL (SOUTH PROPERTY LINE & AROUND ALL EXISTING & PROPOSED DRAINAGE INLETS).

All areas disturbed by construction shall be revegetated
 JRB

Note: The contours which are indicated on these drawings as existing were taken from a Topographic Survey performed by George Collis Land Surveyors dated Sept 16, 1993. Since that date both fill and erosion have taken place on the site, and have altered the existing conditions.

BH: Operating Nut of Fire Hydrant at SU Corner of Site.
 Elev. = 609.16

SITE PLAN - PART "BB"
GRADING & DRAINAGE

SCALE: 1" = 30.0'