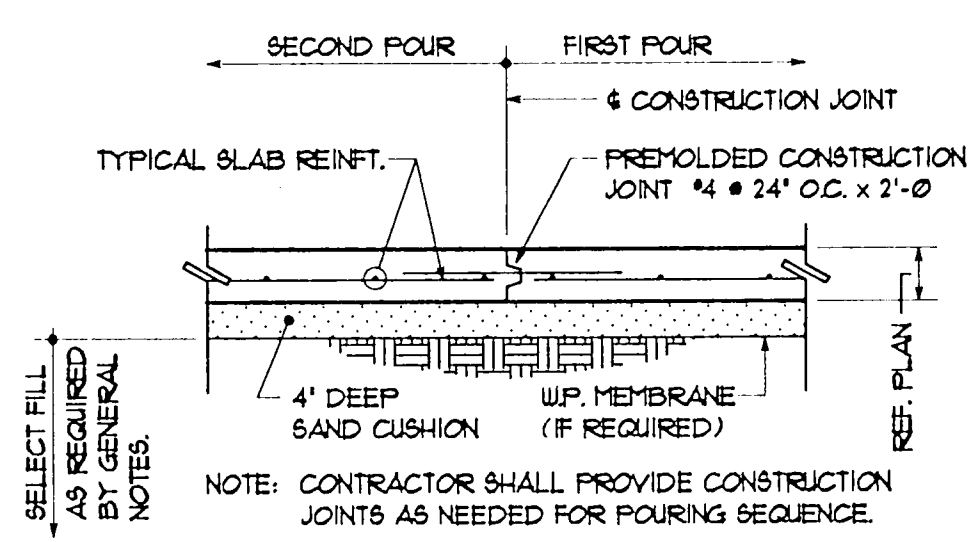
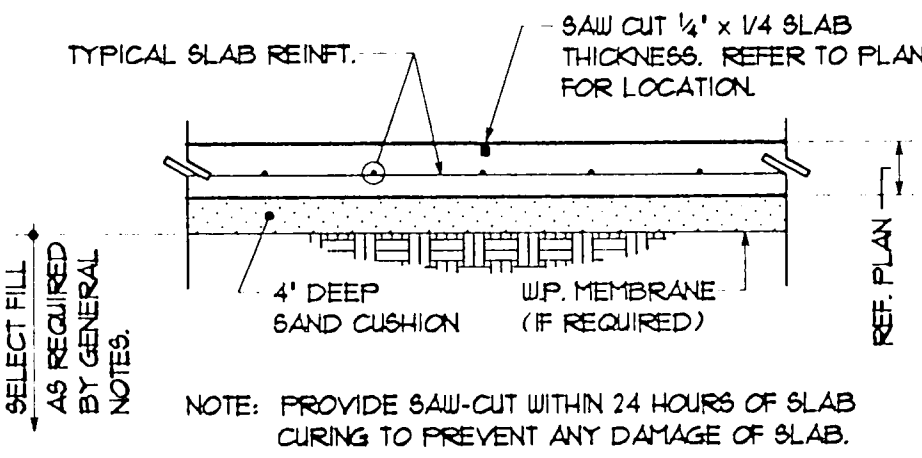


01 TYPICAL STRAIGHT SHAFT PIER DETAIL

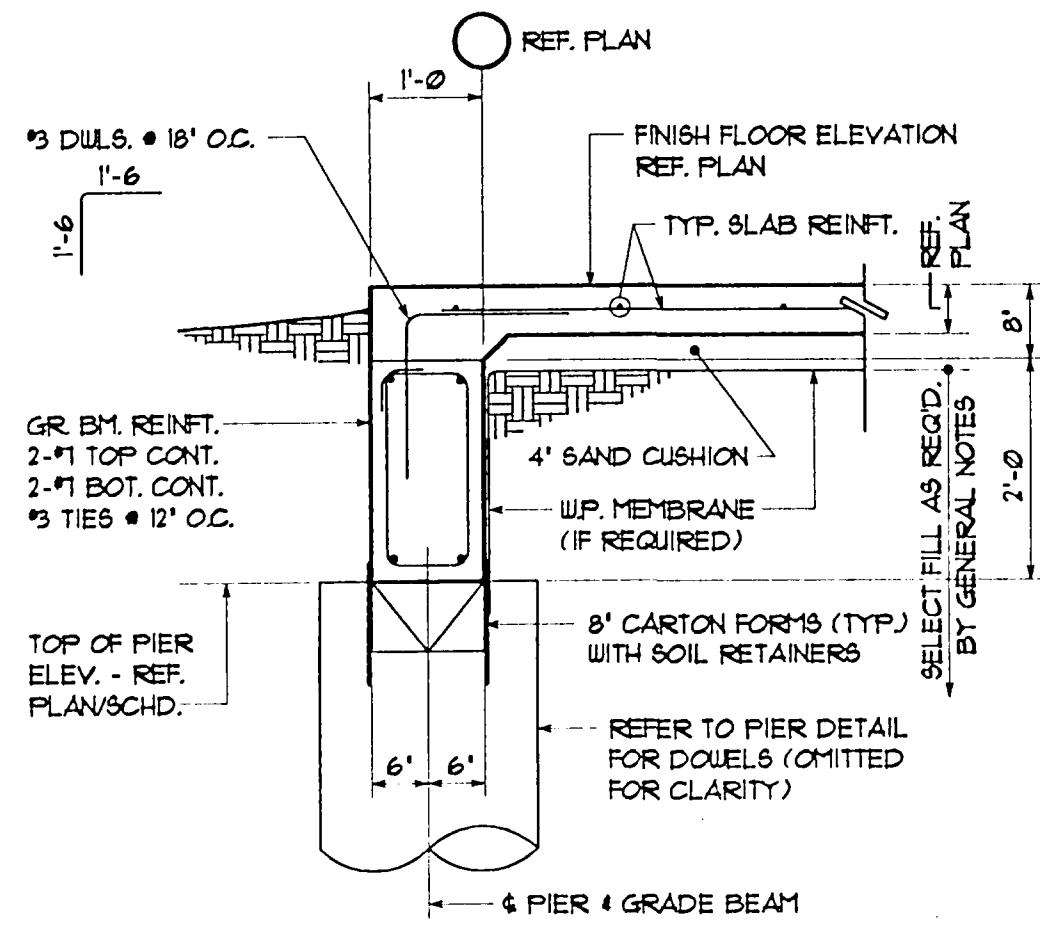
02 TYPICAL CONSTRUCTION JOINT DETAIL



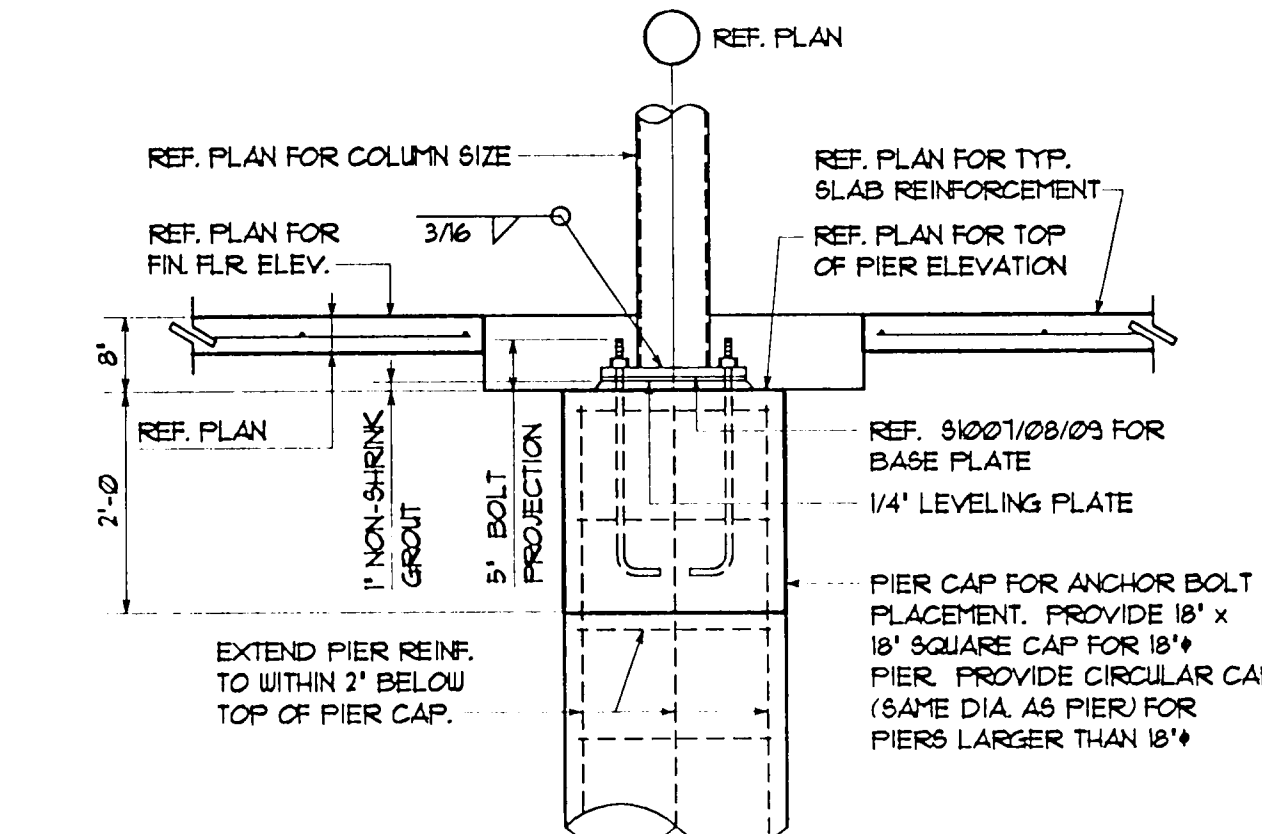
03 TYPICAL CONTROL JOINT DETAIL



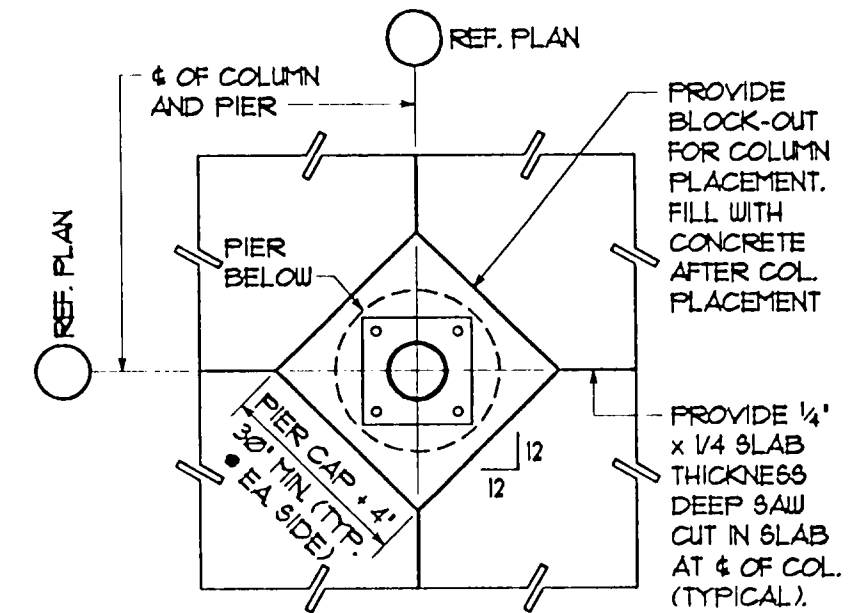
04 TYPICAL GRADE BEAM DETAIL



05 COLUMN BASE SECTION



06 COLUMN BASE PLAN DETAIL

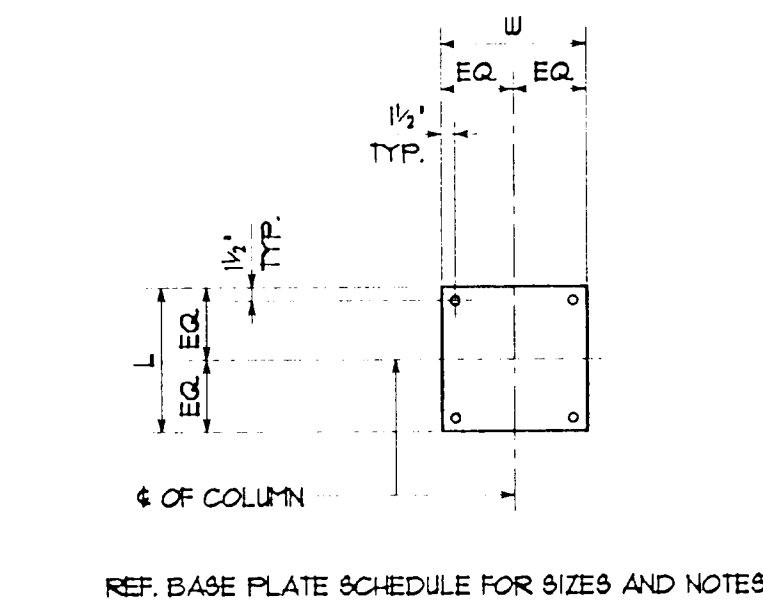


BASE PLATE SCHEDULE

COLUMN SIZE	W	L	THICKNESS	ANCHOR BOLTS NO.	DIAMETER	LENGTH
W8's	14"	14"	3/4"	4	3/4"	2'-6"
W10's	16"	16"	3/4"	4	3/4"	2'-6"
W12's	18"	18"	3/4"	4	1"	2'-6"
W14's	20"	20"	3/4"	4	1"	2'-6"

BASE PLATE SCHEDULE

COLUMN SIZE	W	L	THICKNESS	ANCHOR BOLTS NO.	DIAMETER	LENGTH
4"	10"	10"	3/4"	4	3/4"	2'-6"
5"	11"	11"	3/4"	4	3/4"	2'-6"
6"	12"	12"	3/4"	4	3/4"	2'-6"
8"	14"	14"	3/4"	4	3/4"	2'-6"

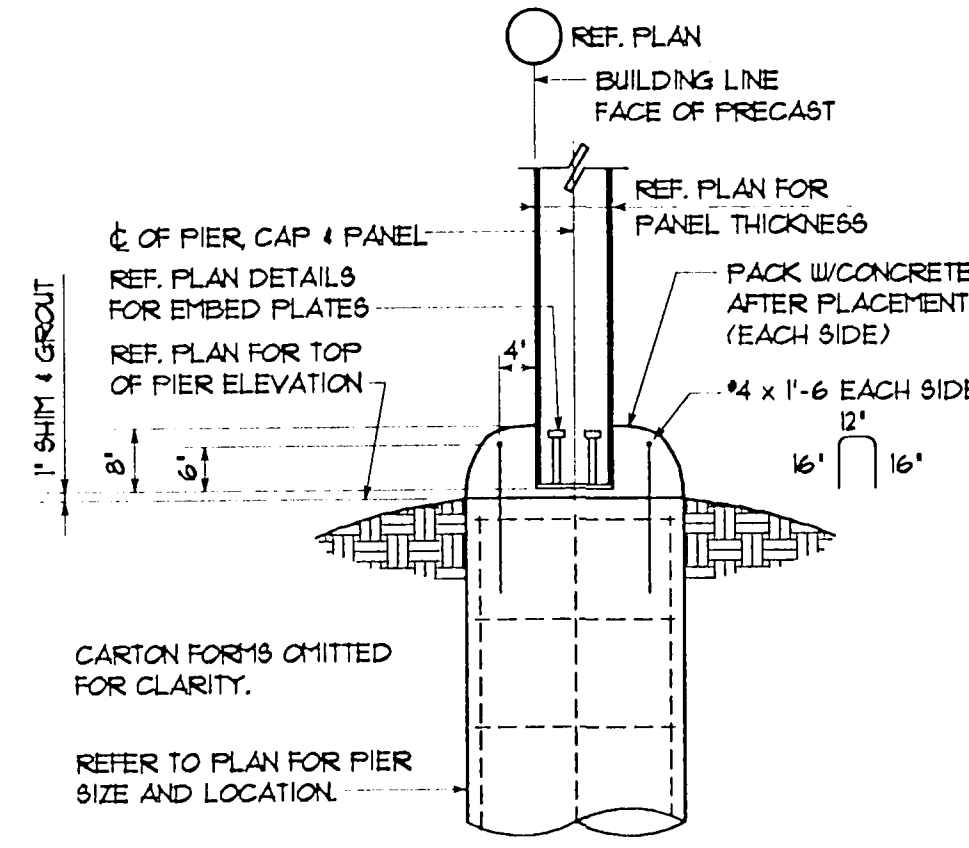


07 BASE PLATE SCHEDULE

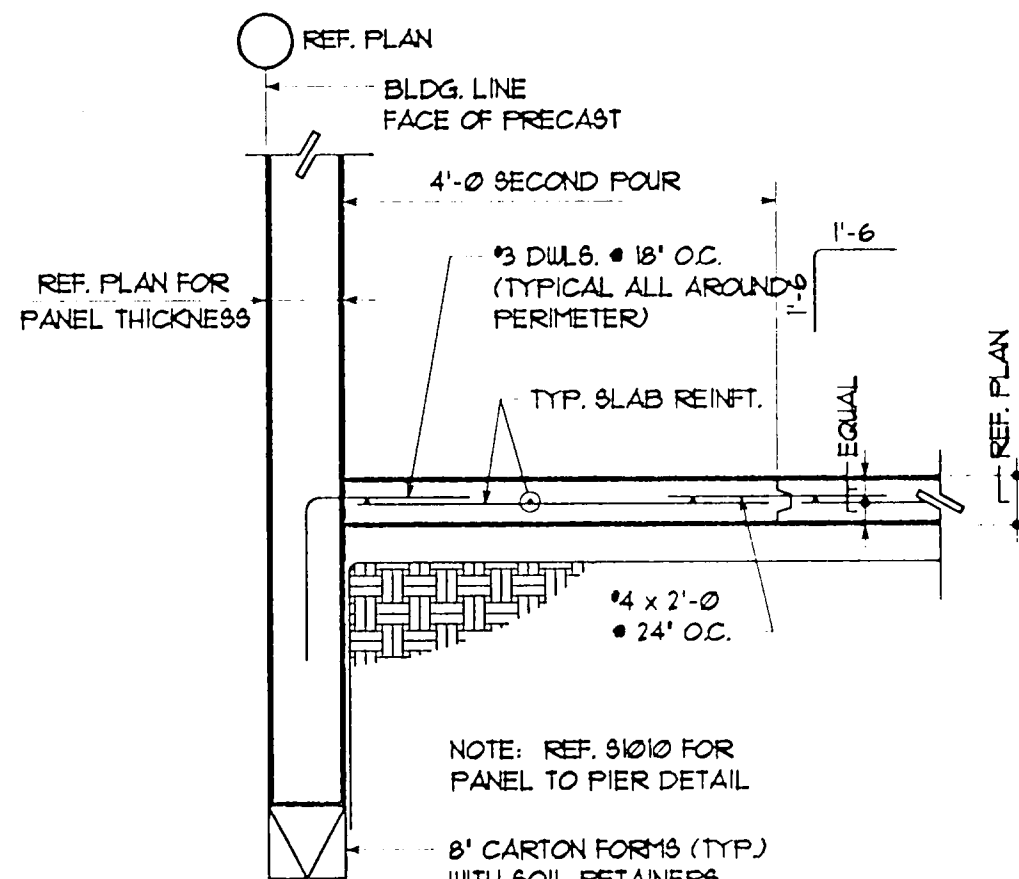
08 BASE PLATE SCHEDULE

09 BASE PLATE DETAIL

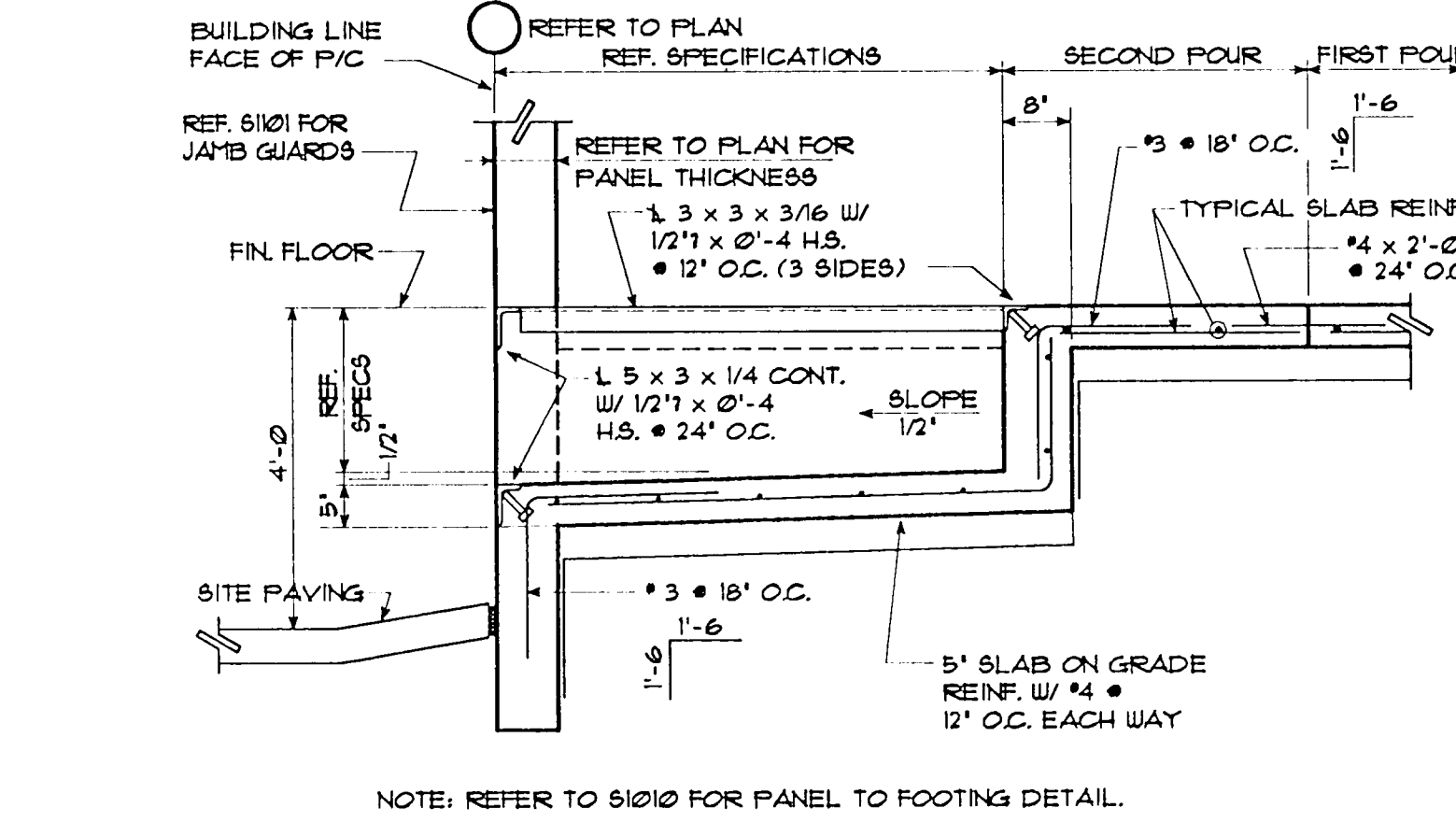
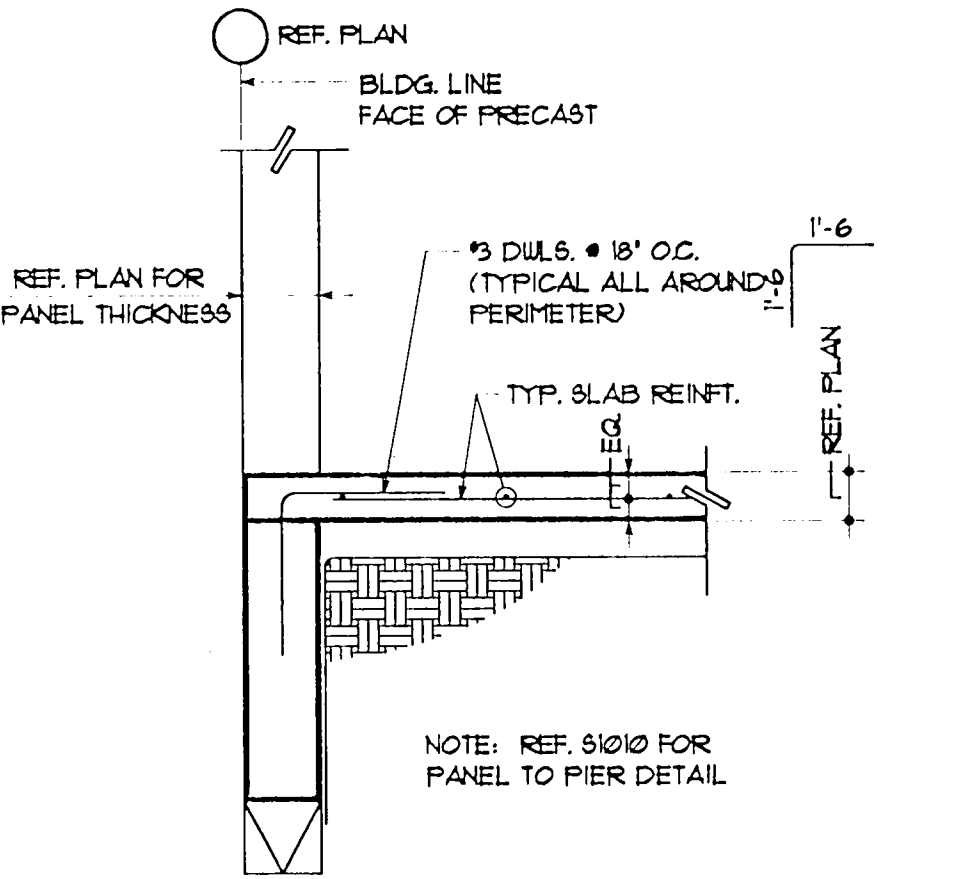
10 TYP. PANEL TO PIER DET.



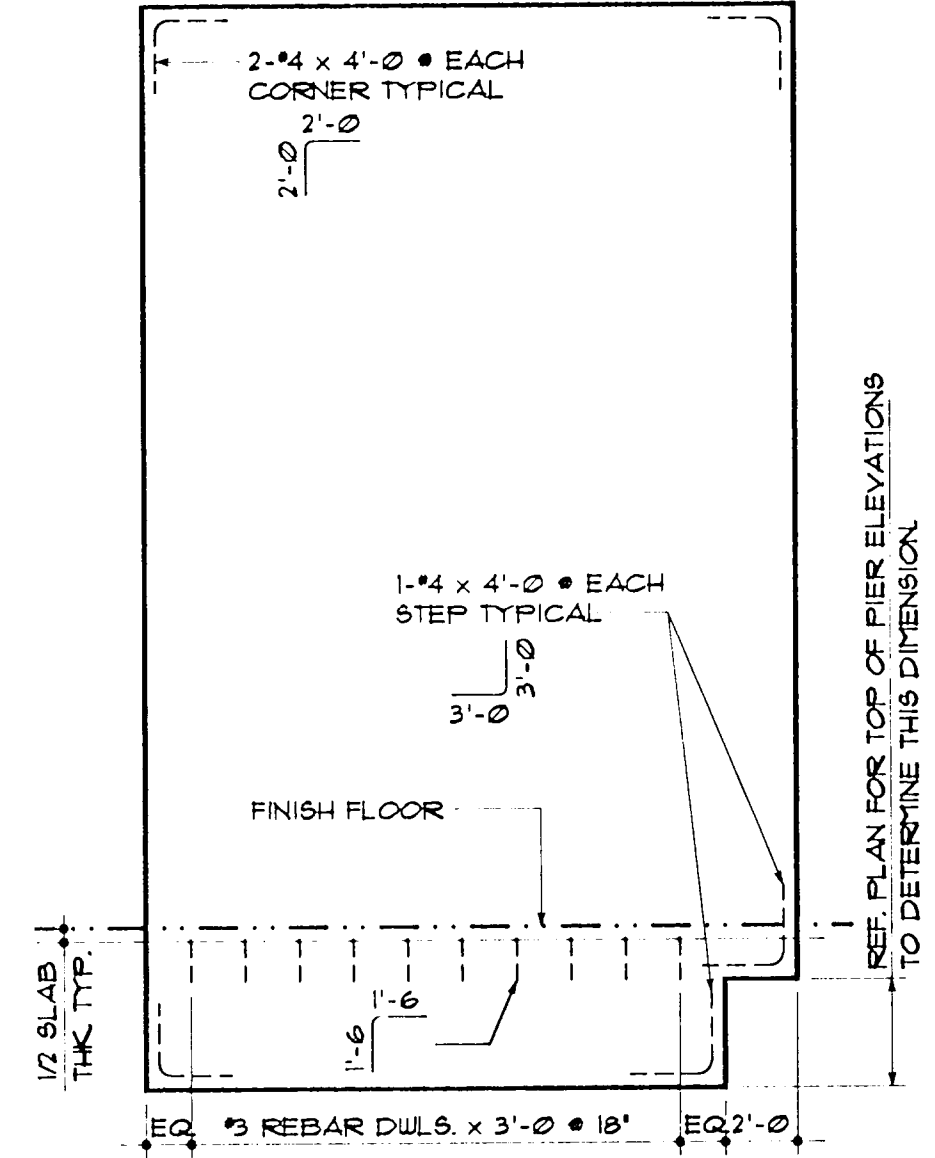
11 PANEL DET. AT 2ND POUR STRIP



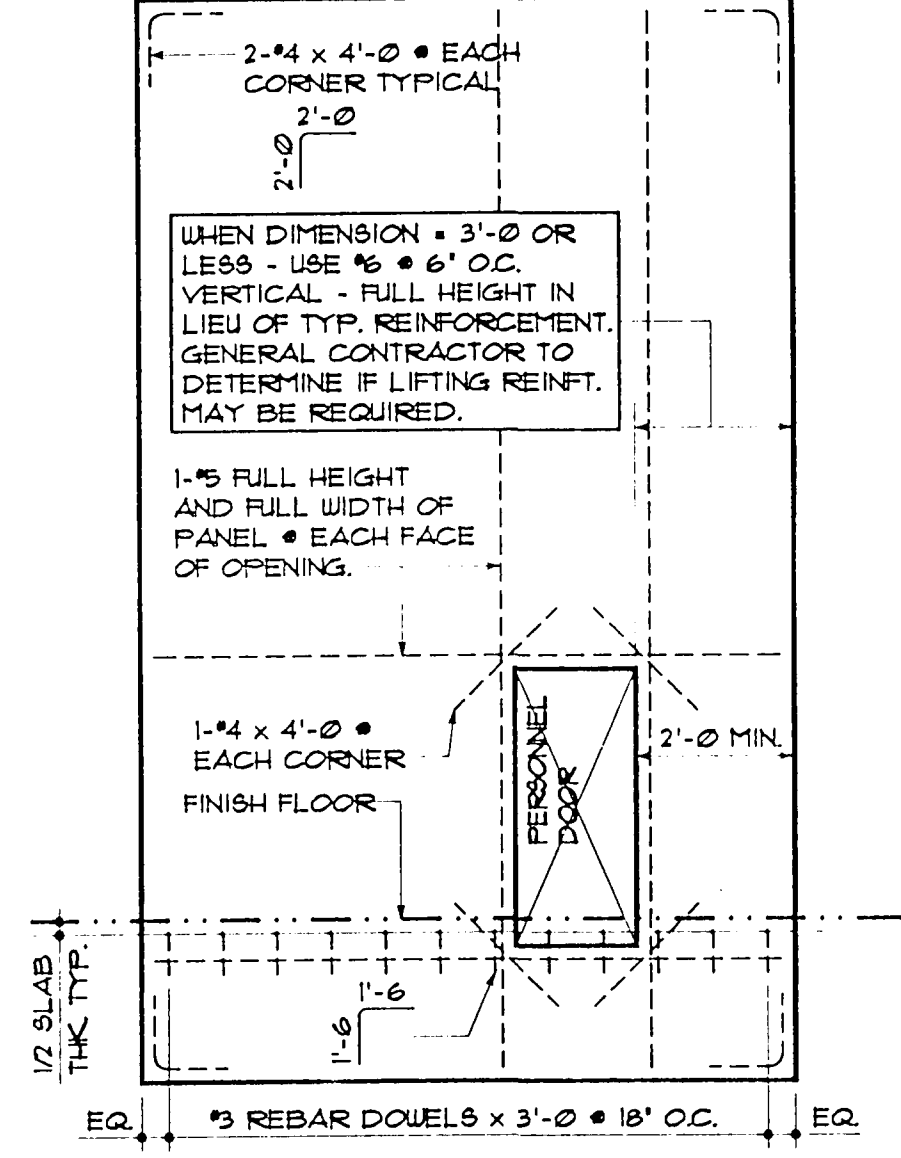
12 PANEL DET. AT PERSONNEL DOOR



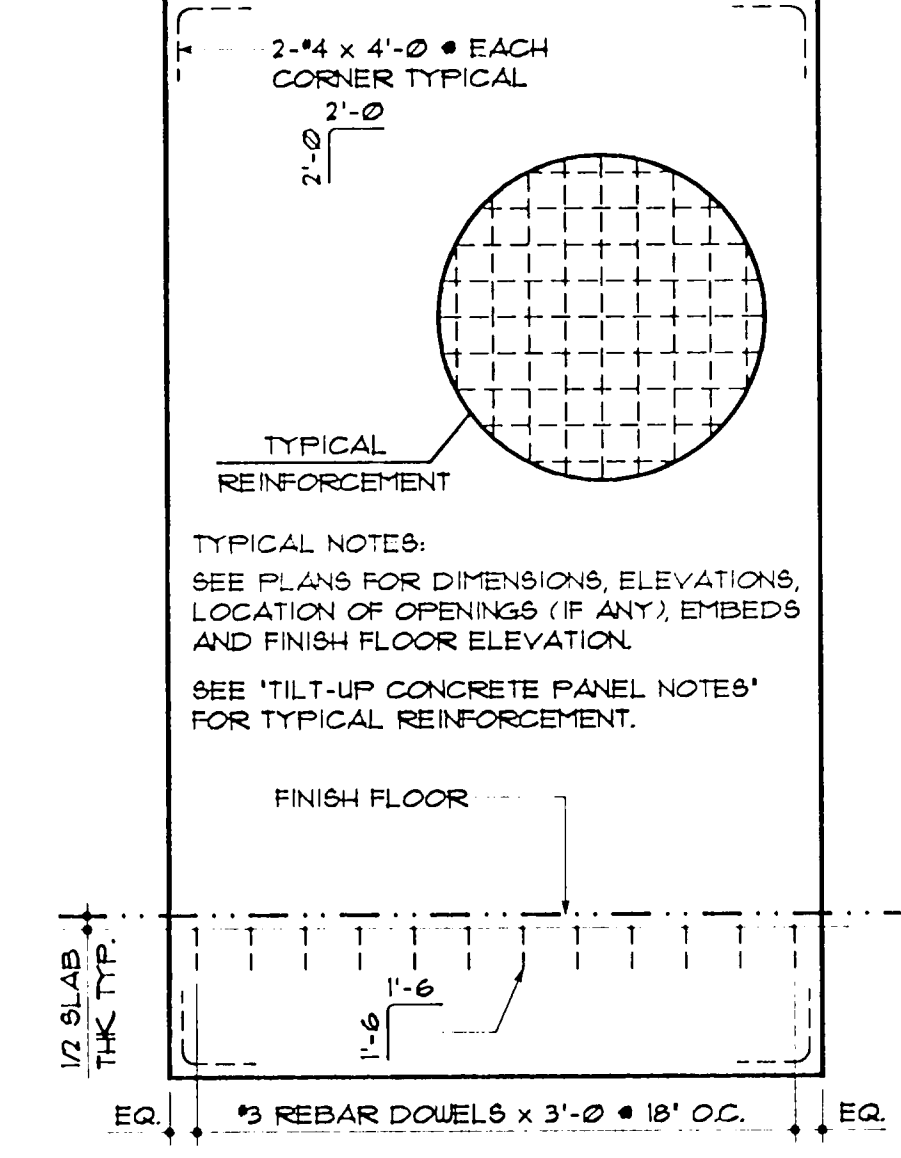
13 TYPICAL PANEL AT DOCK LEVELER



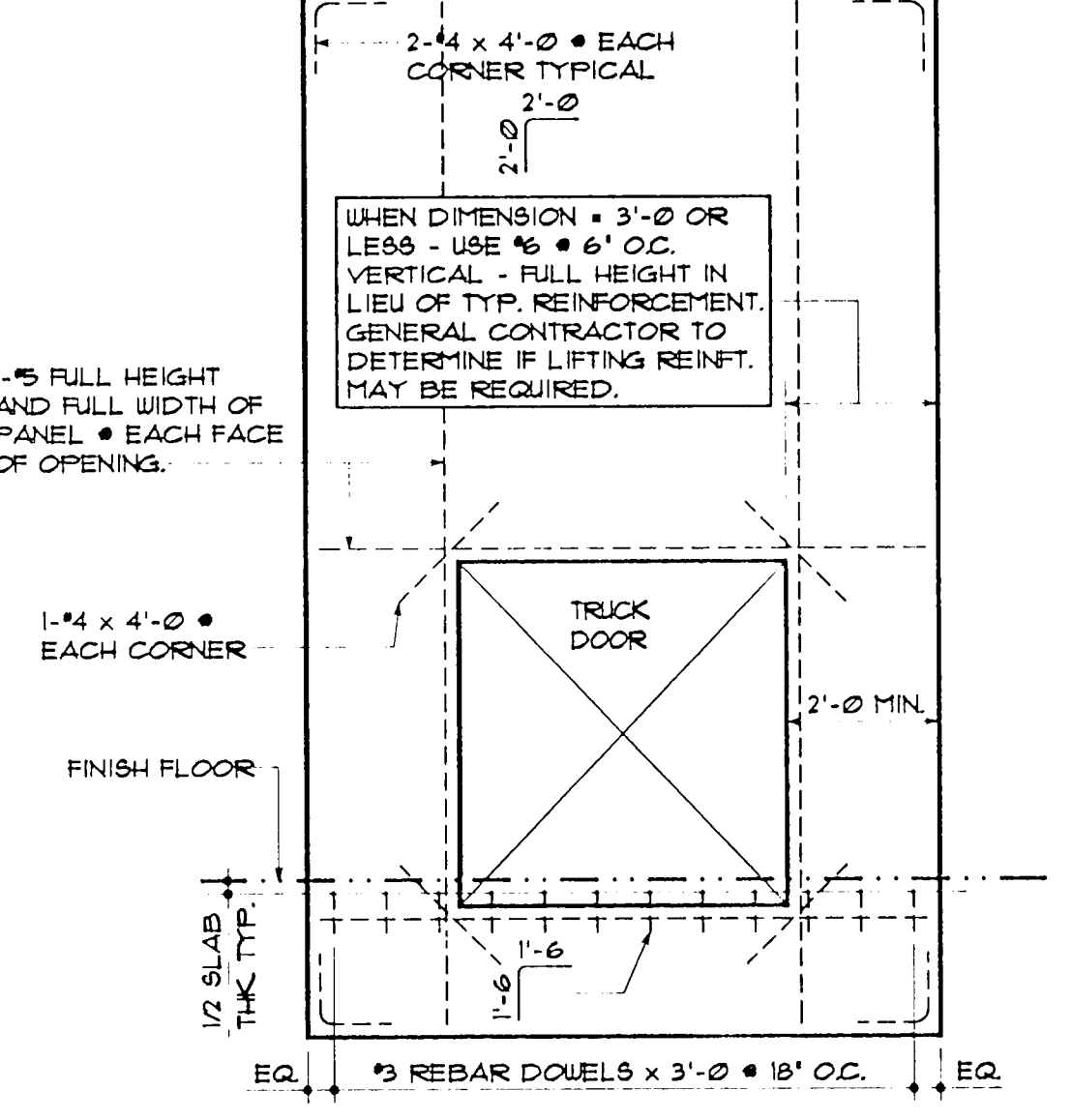
14 TYPICAL PANEL DETAIL



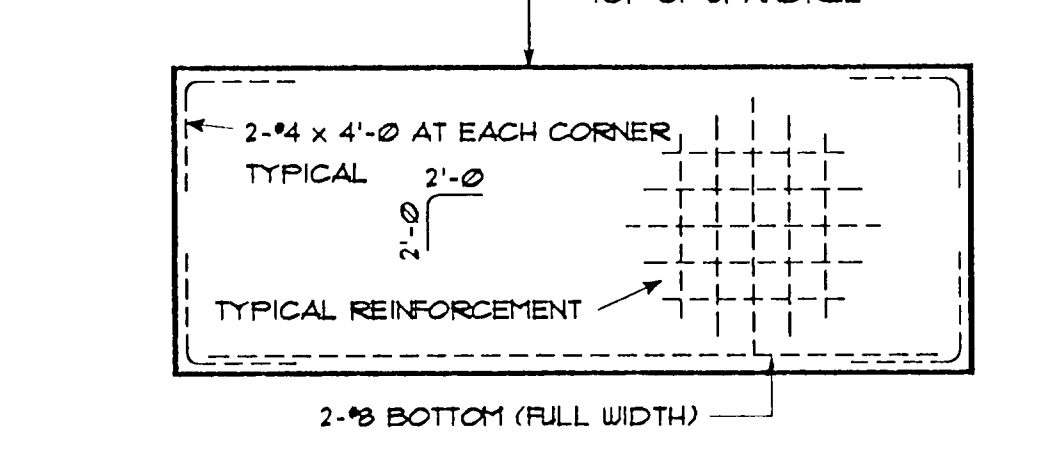
15 TYPICAL PANEL DETAIL



16 TYPICAL PANEL DETAIL



17 TYPICAL PANEL DETAIL



18 TYPICAL SPANDREL PANEL DETAIL

REIBENSTEIN ASSOCIATES ARCHITECTURE

4310 WESTSIDE DRIVE, SUITE G
DALLAS, TEXAS 75209
PHONE/FAX (214) 521-7147

ANDY HLAVATY & ASSOC.

CONSULTANT ENGINEERS

9221 LBJ
Suite 203
Dallas, Texas
75243
(214) 783-0122

IZZARELLI-HISAW

GENERAL CONSTRUCTION, INC.

3050 REGENT BLVD.
SUITE 130
IRVING, TEXAS 75063
(214) 556-1333

PROPOSED FACILITY FOR:

BAS REALTY LIMITED PARTNERSHIP

STATE OF TEXAS

REGISTERED PROFESSIONAL ENGINEER

47754

Andrew P. Hlavaty
APRIL 20, 1995

REGISTERED ARCHITECT

STATE OF TEXAS

47707

APRIL 20, 1995

DATE: APRIL 20, 1995
JOB NO: 00994
REV. DATE _____
REV. DATE _____
REV. DATE _____

SHEET: **S10**