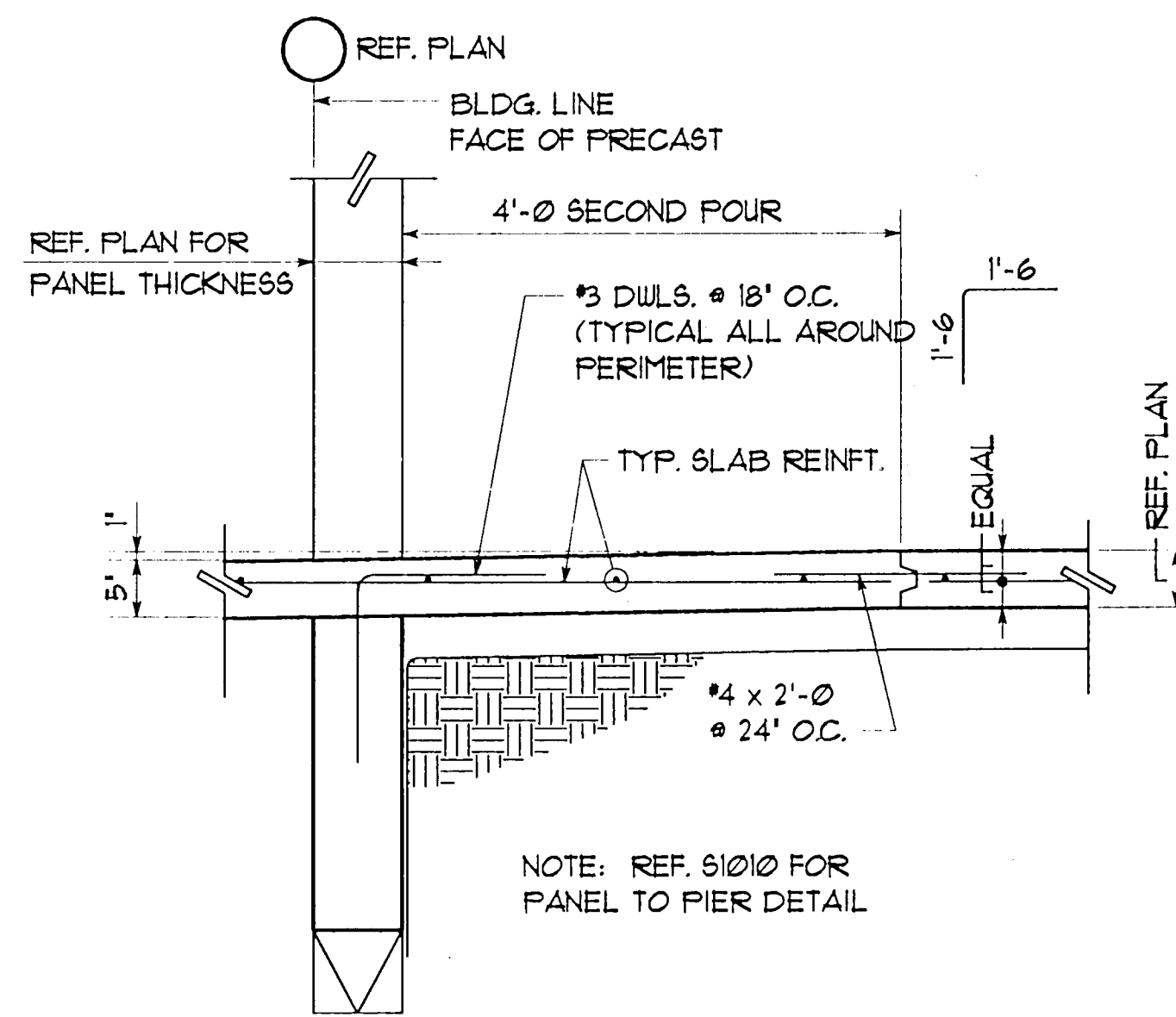
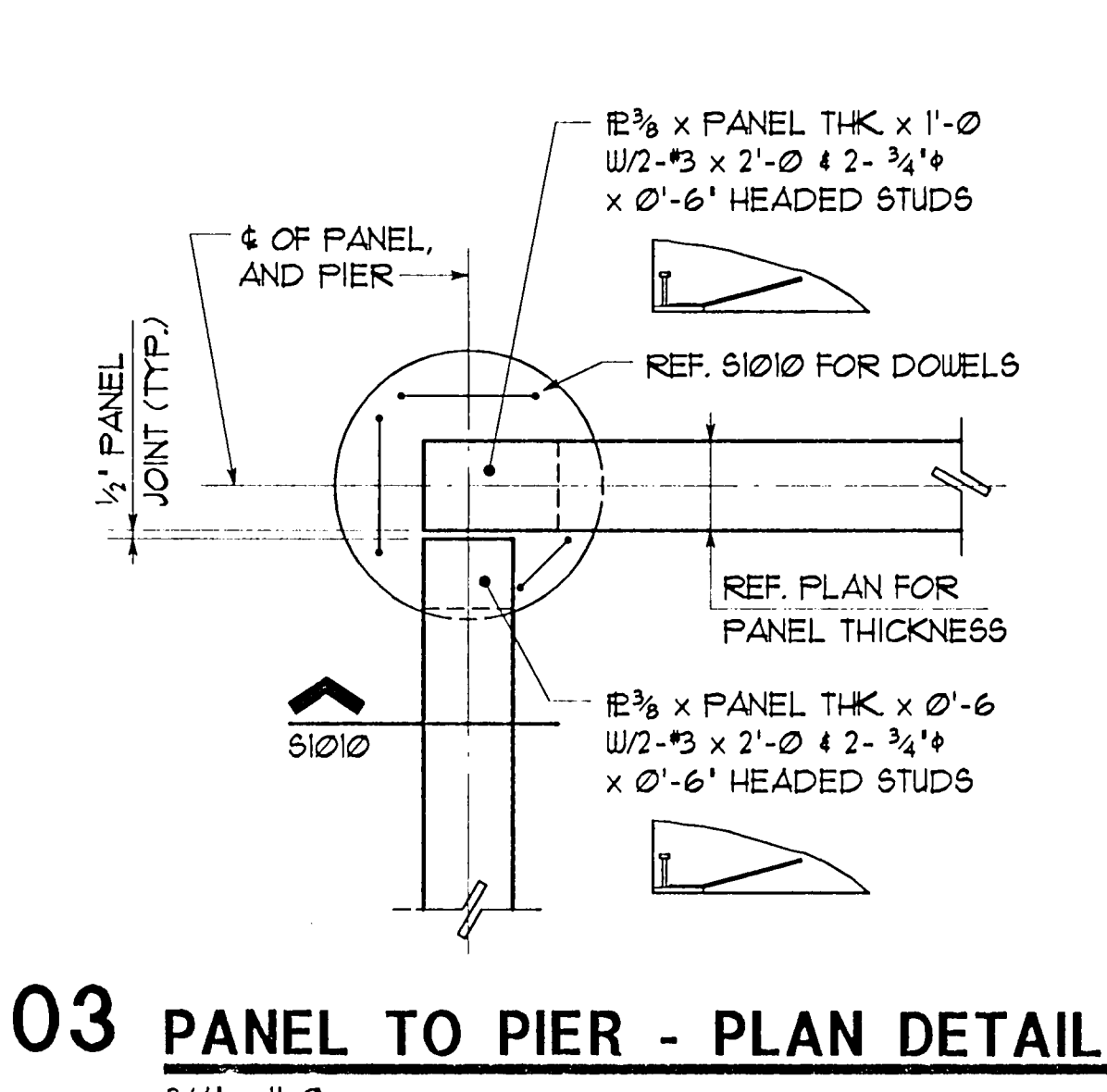


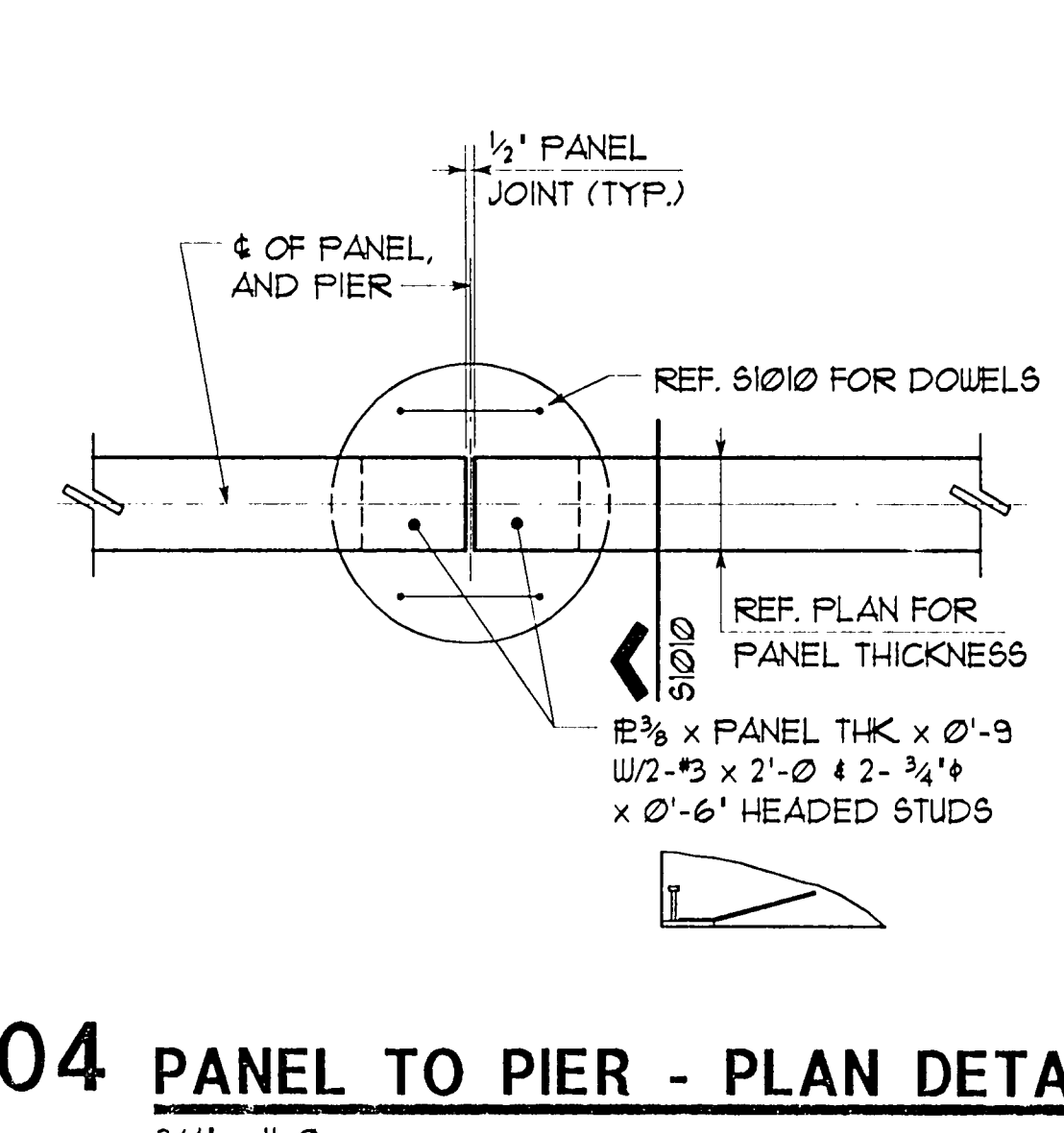
01 PANEL DETAIL AT TRUCK DOOR
3/4" = 1'-0"



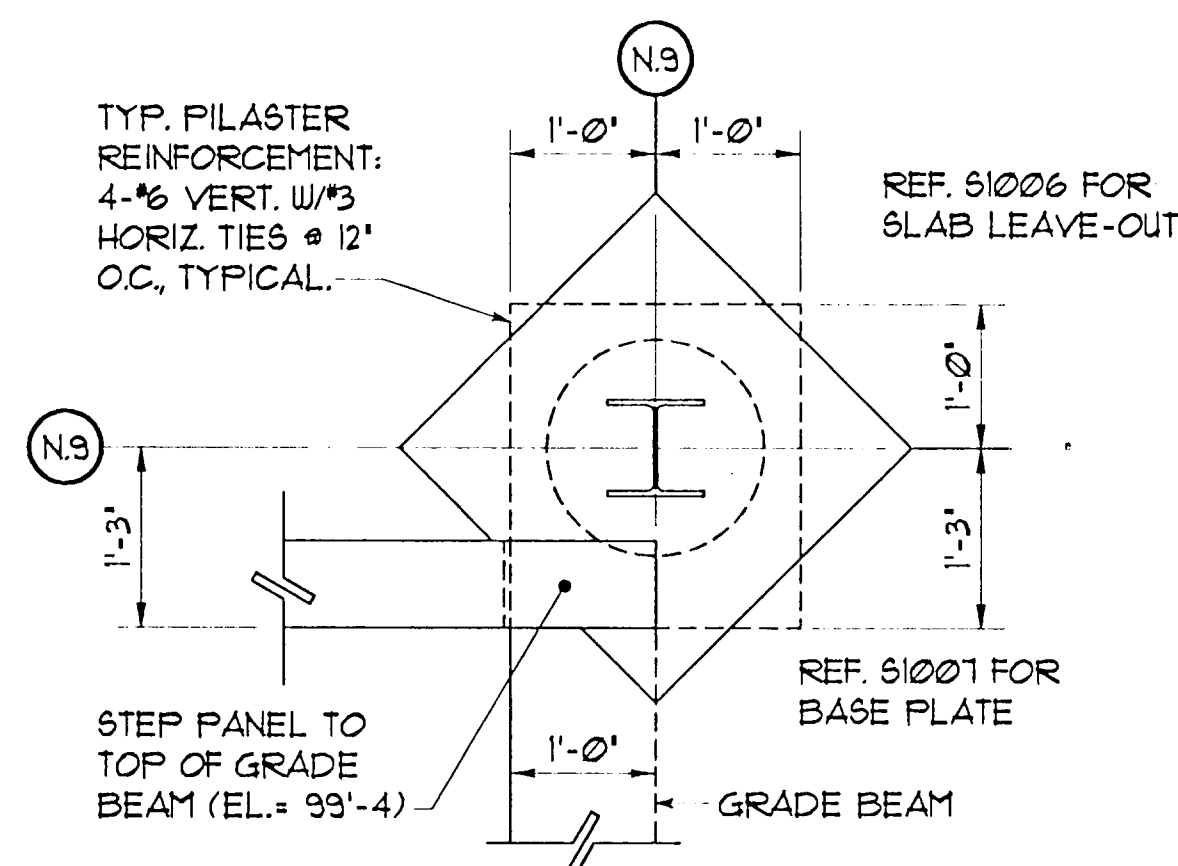
02 PANEL DETAIL AT TRUCK DOOR
3/4" = 1'-0"



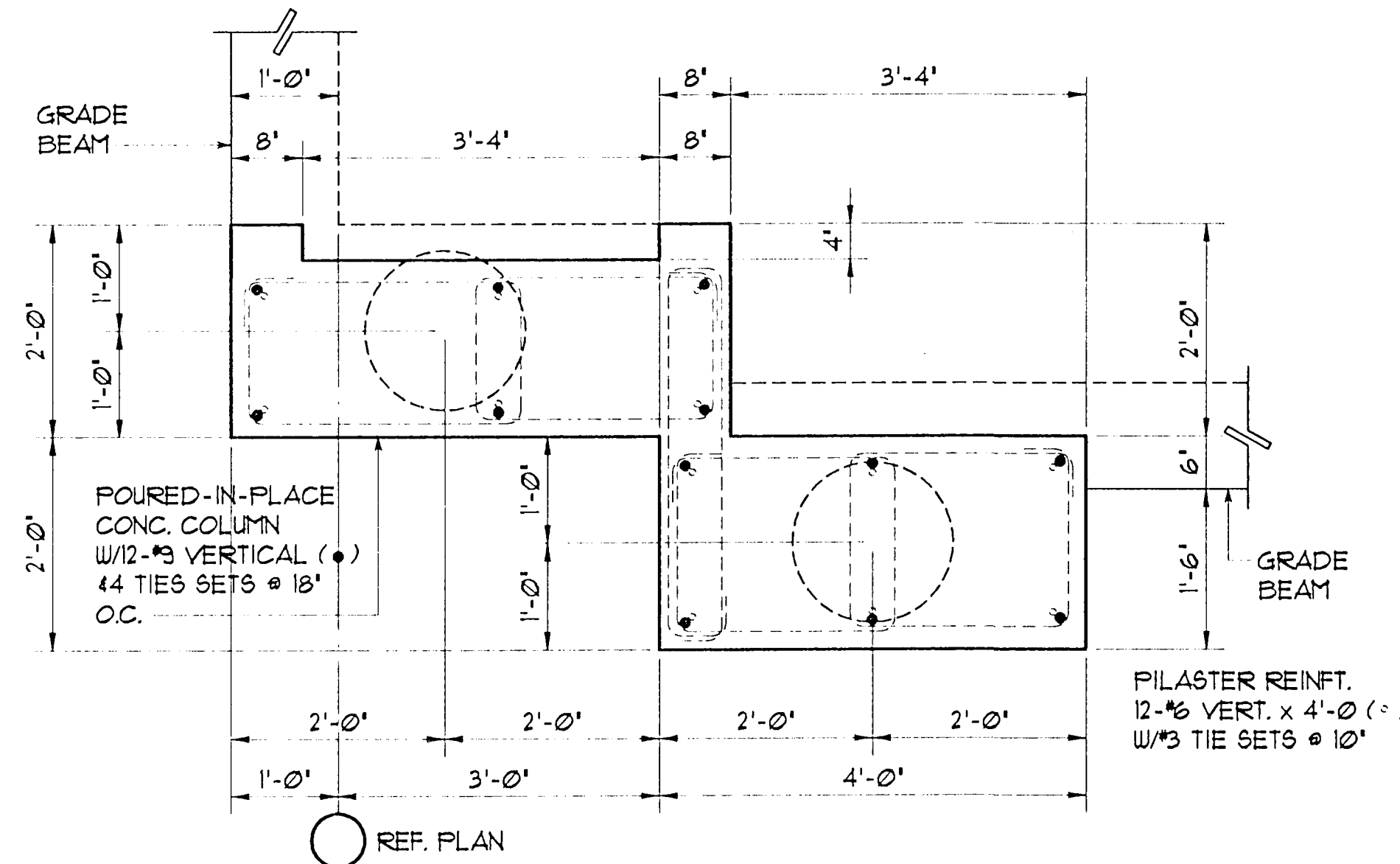
03 PANEL TO PIER - PLAN DETAIL
3/4" = 1'-0"



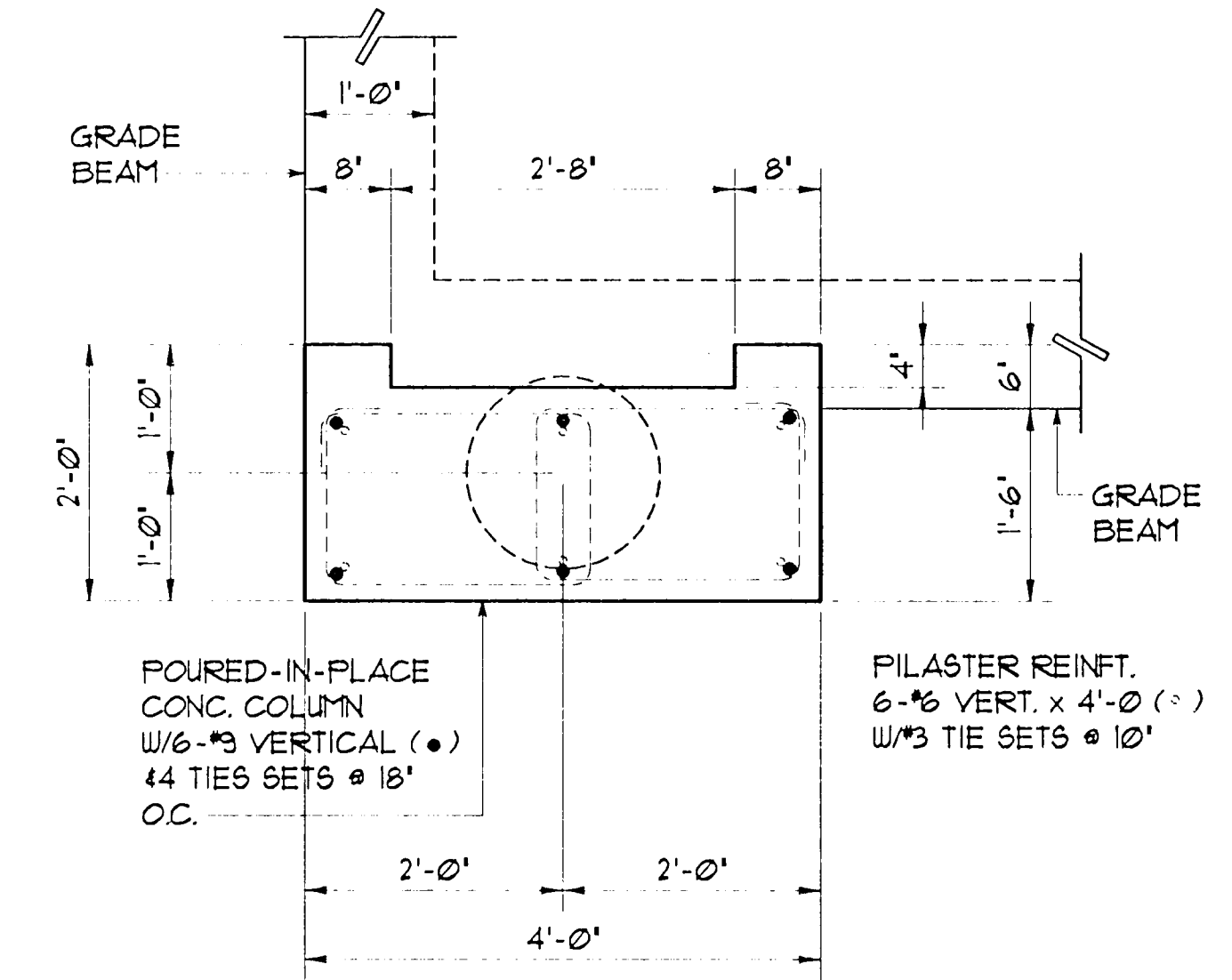
04 PANEL TO PIER - PLAN DETAIL
3/4" = 1'-0"



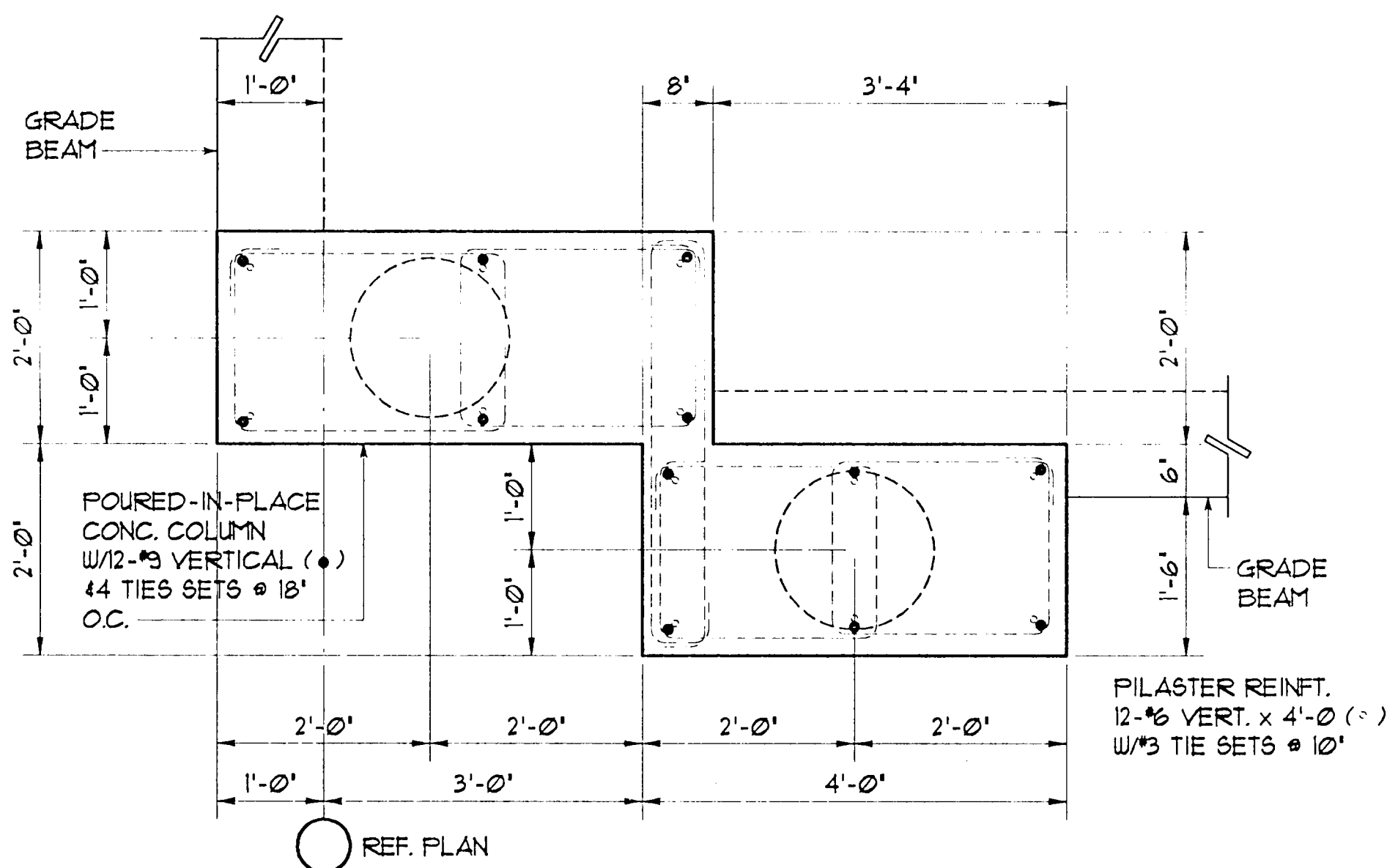
05 PLAN DETAIL
3/4" = 1'-0"



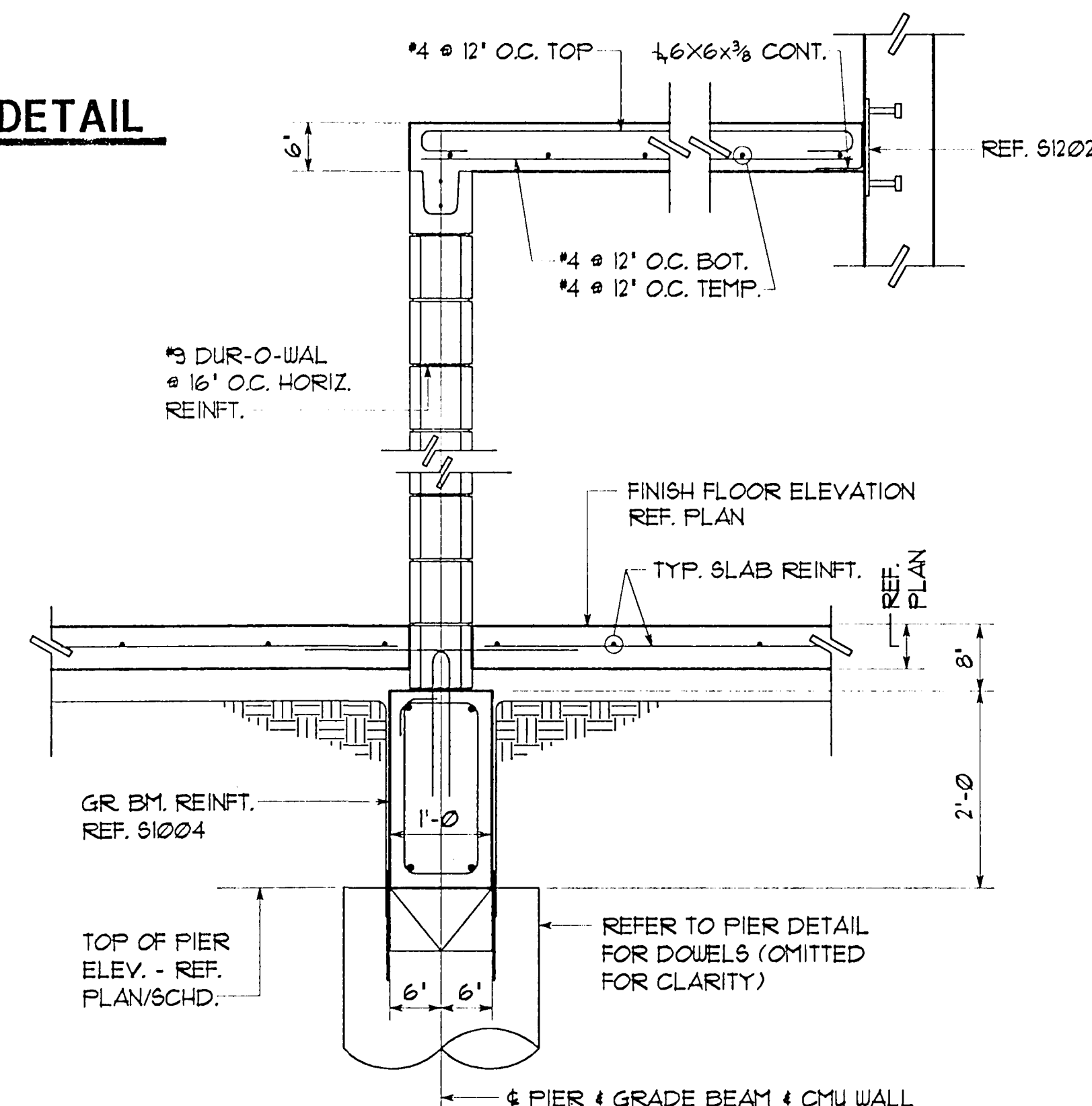
06 PLAN DETAIL
3/4" = 1'-0"



07 PLAN DETAIL
3/4" = 1'-0"



08 PLAN DETAIL
3/4" = 1'-0"



09 GRADE BEAM AT CMU WALL
3/4" = 1'-0"