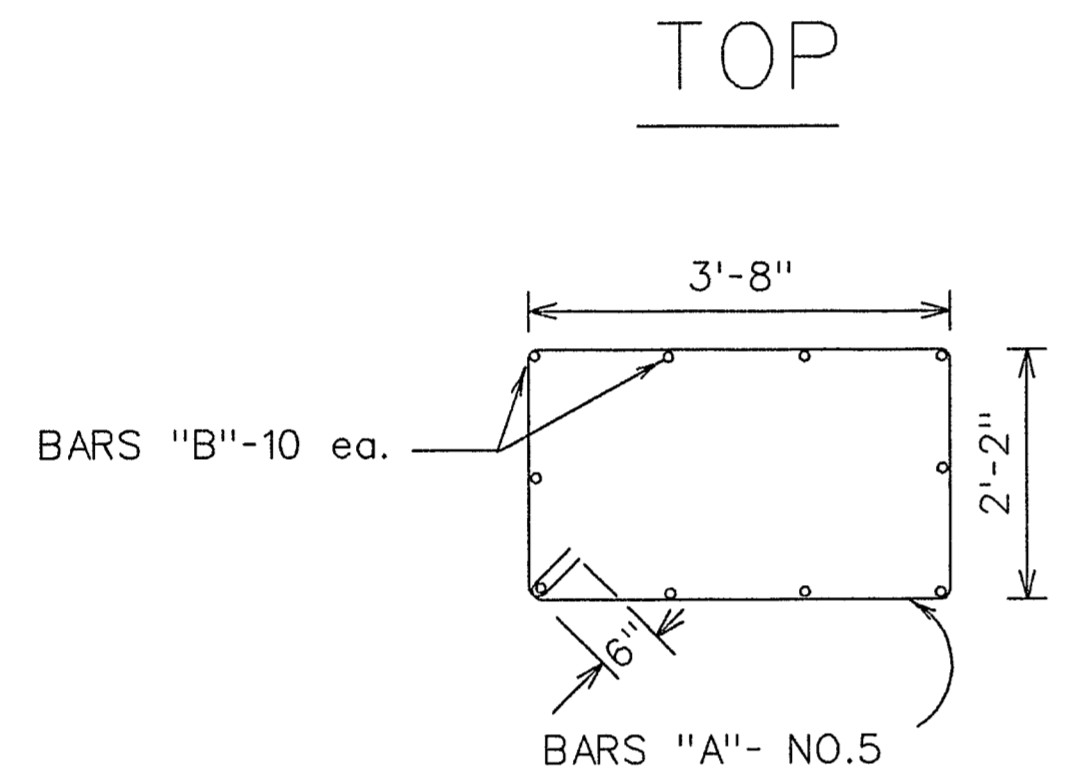
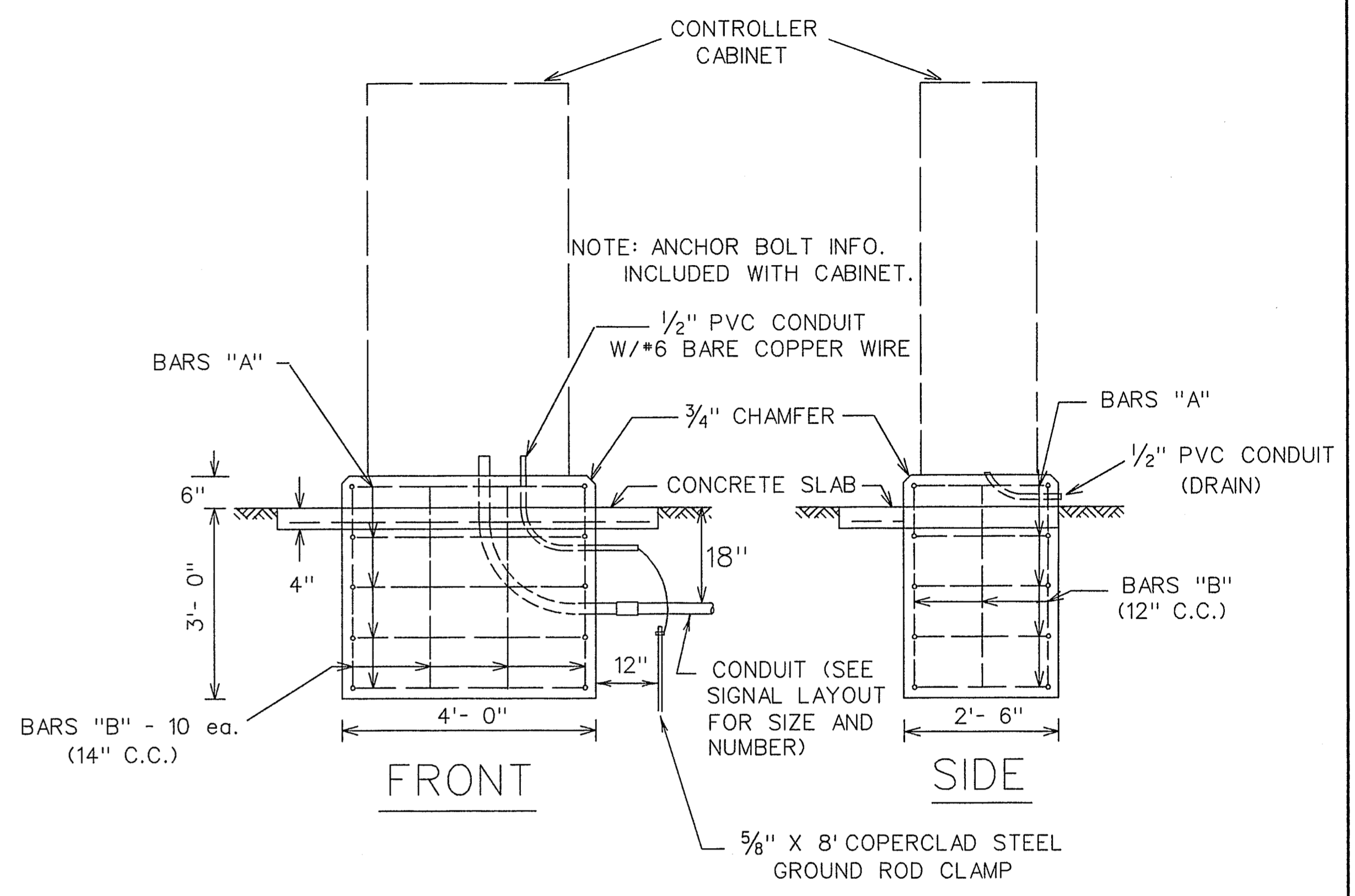
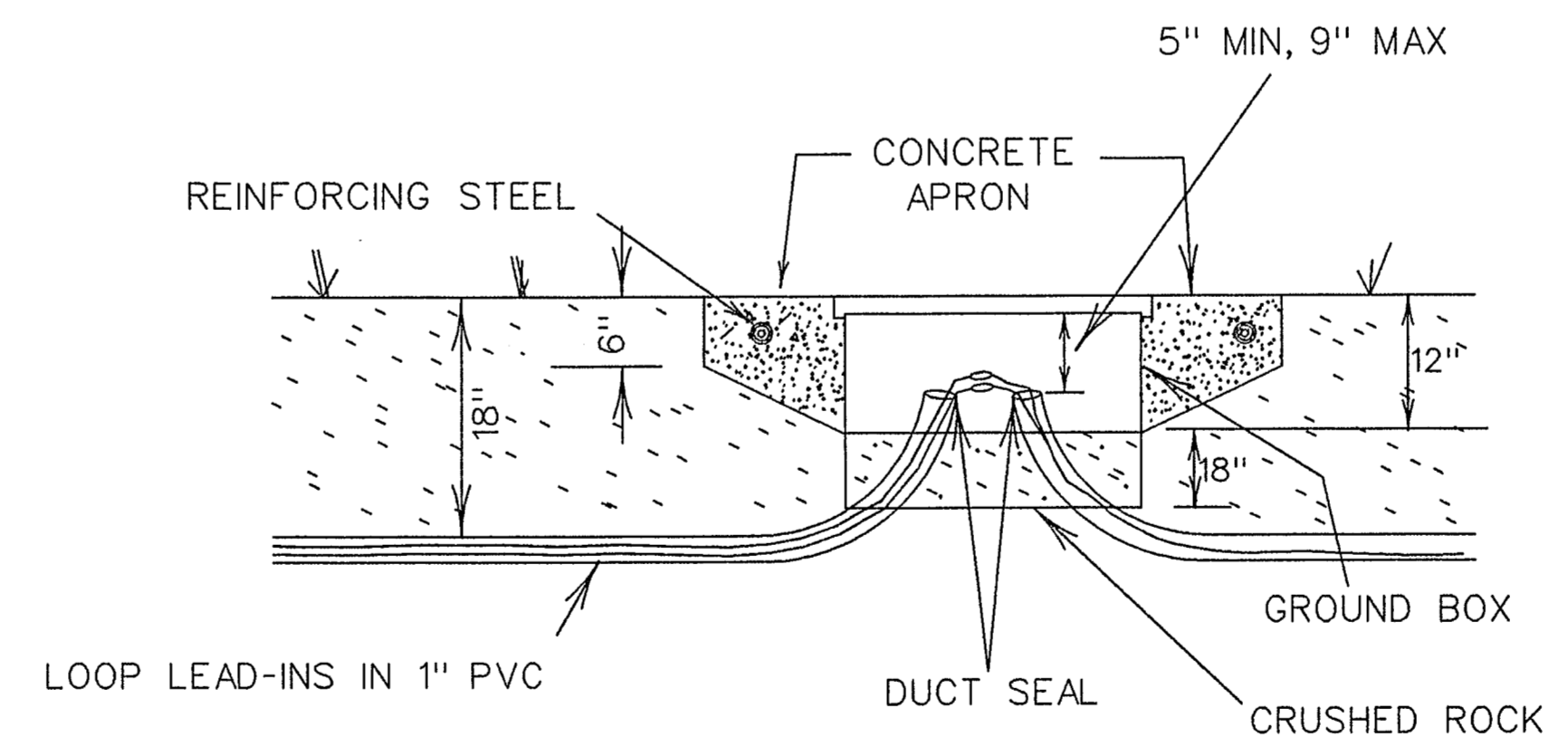
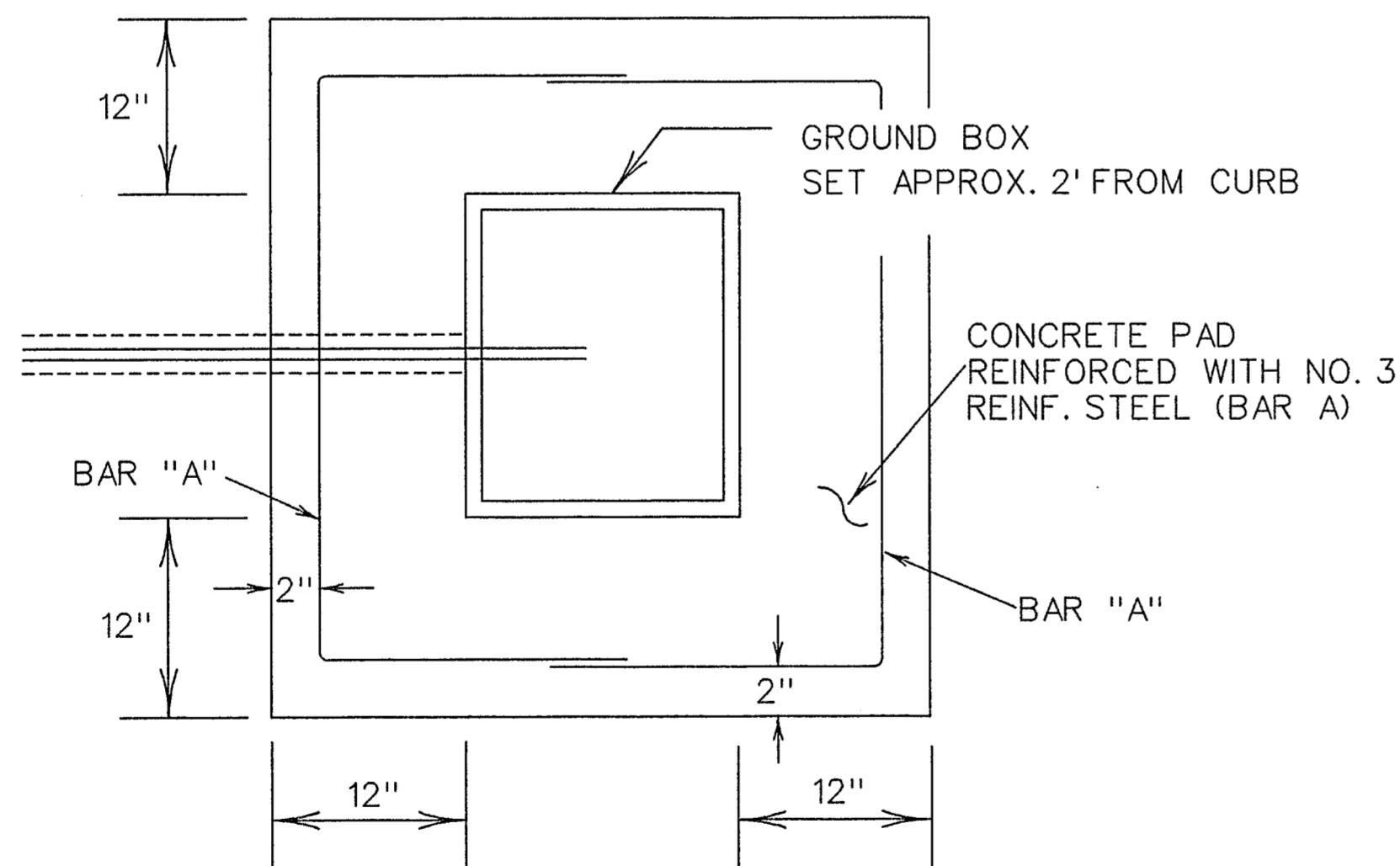


BAR	NO. BARS	SIZE	LENGTH	SPACING
A	6	5	12'-8"	9.5" C.C.
B	10	5	3'-2"	VAR.
C	2	3	4'-8"	16.5" C.C.
D	2	3	5'-8"	18" C.C.
E	3	3	2'-8"	16.5" C.C.
F	4	3	1'-2"	18" C.C.

PROVIDE 2" MIN. COVER FOR TOP AND SIDES



CONTROLLER FOUNDATION DETAILS



PLAN

ELEVATION

GROUND BOX INSTALLATION DETAILS



The seal appearing on this document was authorized by Alan P. McNeil, P.E. 69951, on May 27, 1997.
Alan P. McNeil

DATE	REVISION	BY
TOWN OF ADDISON DALLAS COUNTY, TEXAS		
CONTROLLER FOUNDATION AND GROUND BOX INSTALLATION DETAILS		
PROJECT NO. 641153.01000 BARTON-ASCHMAN ASSOCIATES INC. ENGINEERS - DALLAS, TEXAS		
DESIGNED	DRAWN	DATE 05/27/97
APPROVED APM	CHECKED APM	SCALE 1" = 20'
		FILE gldet55.dgn
		SHEET 11 OF 15