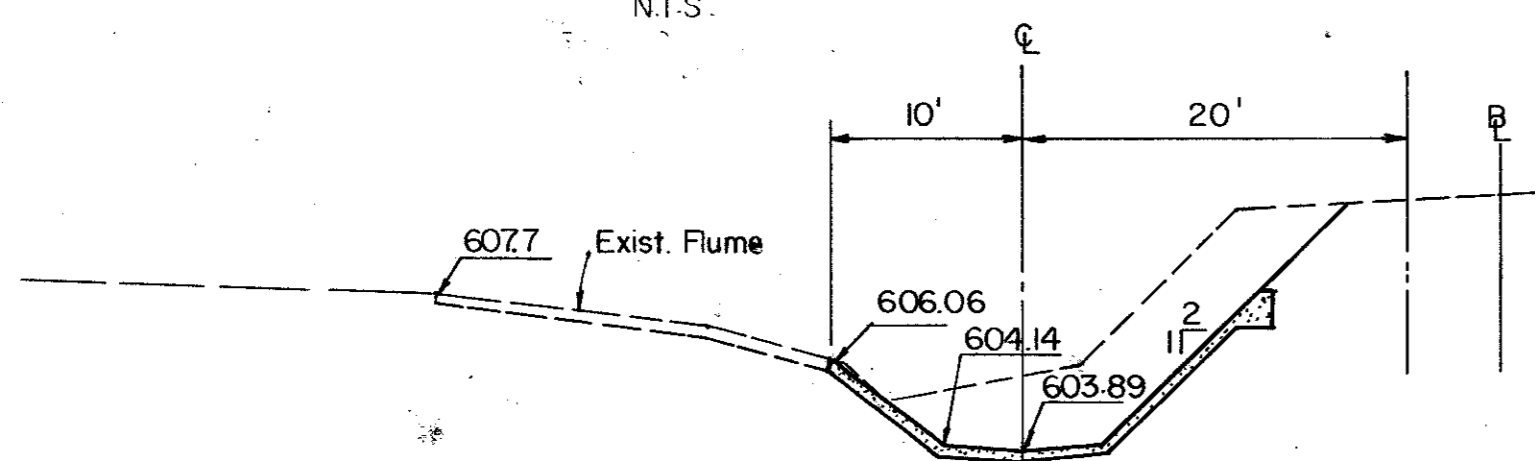
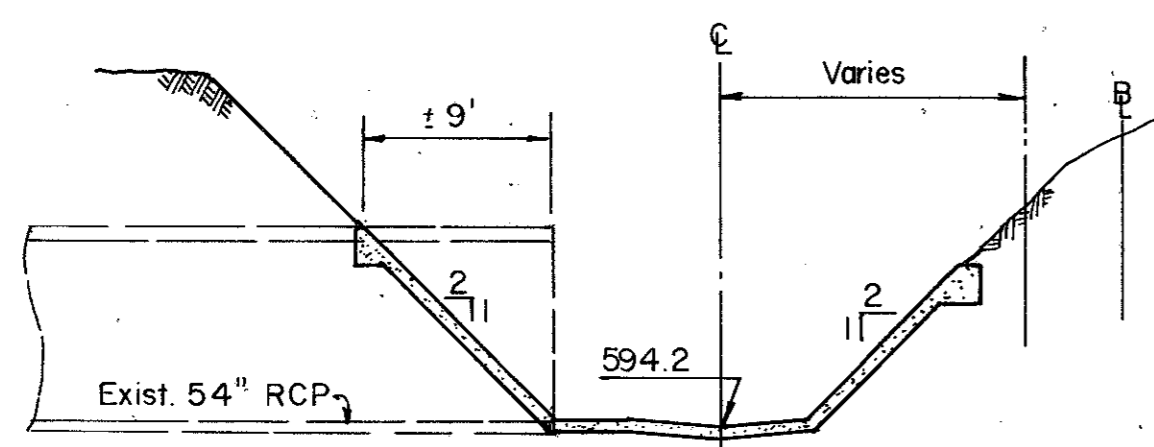


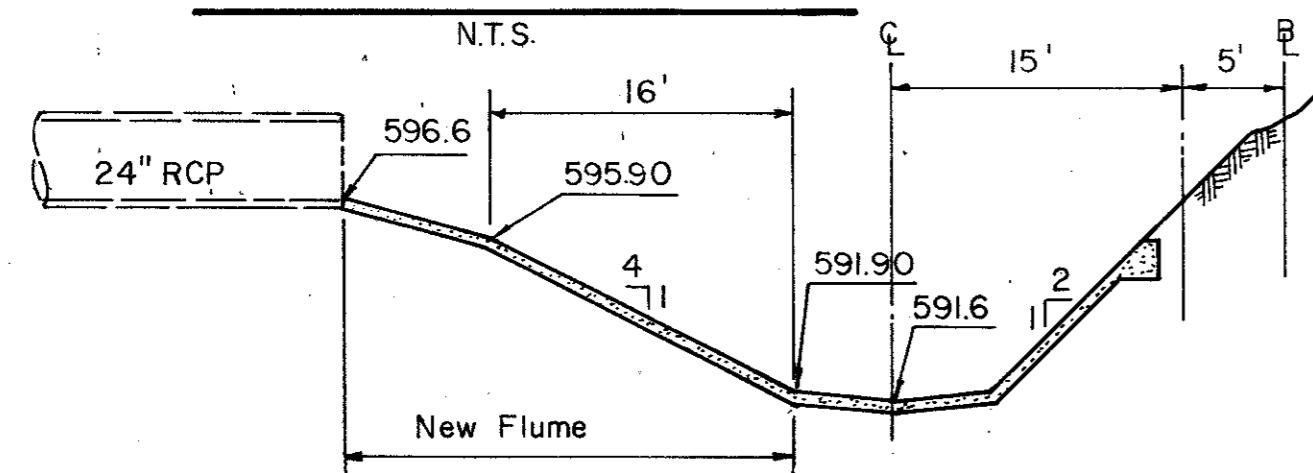
FLUME AT STA. 0+98.5
N.T.S.



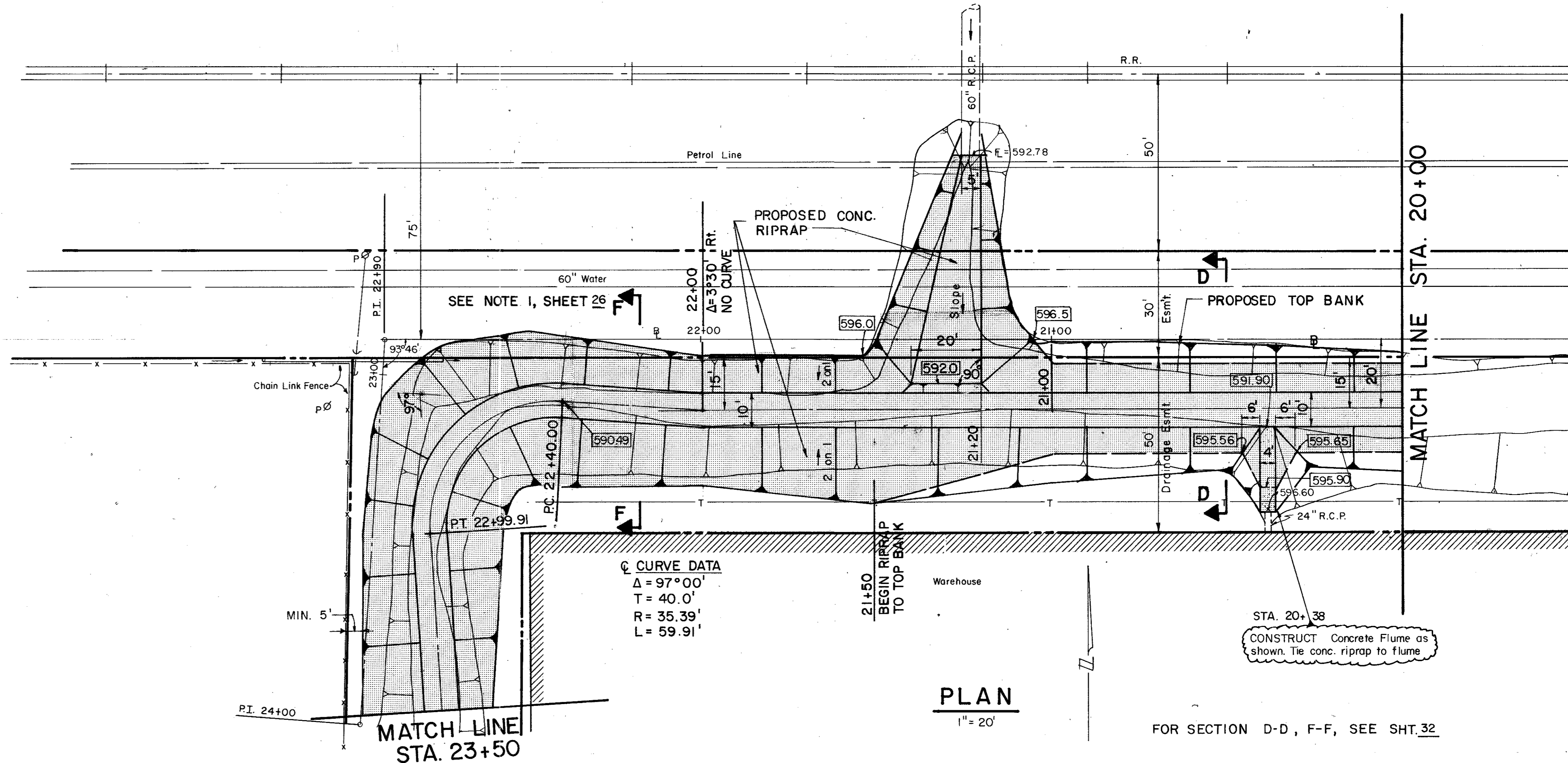
FLUME AT STA. 6+18.0
N.T.S.



PIPE AT STA. 15+66.5
N.T.S.

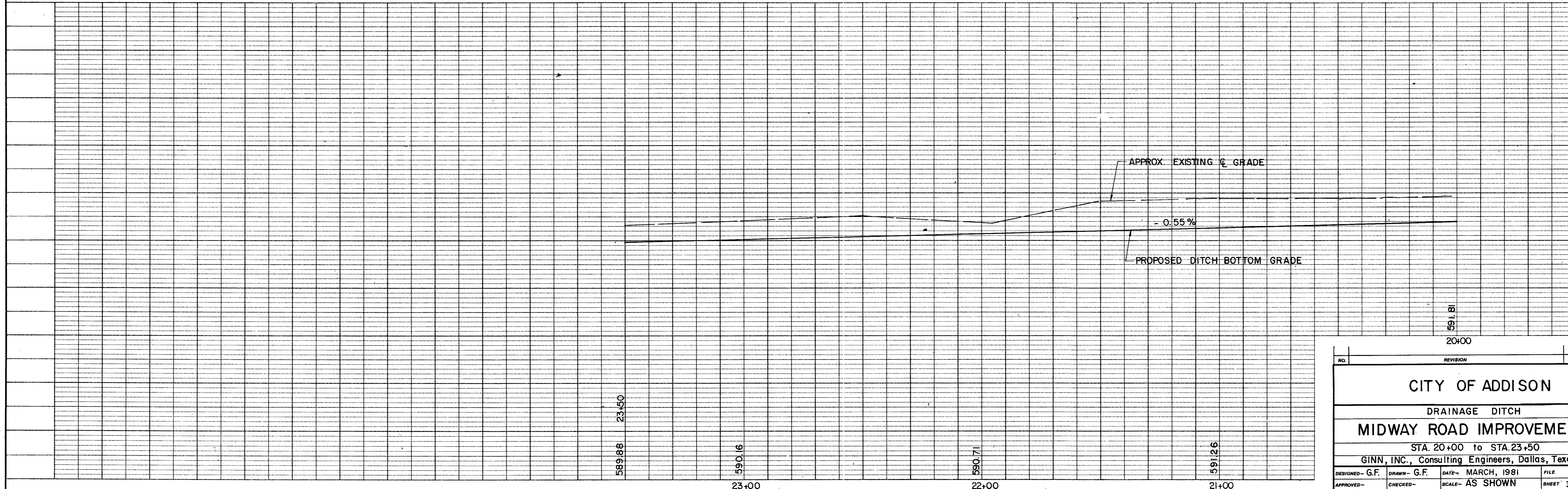


FLUME AT STA. 20+38
N.T.S.



PLAN
1" = 20'

FOR SECTION D-D, F-F, SEE SHT. 32



NO.		REVISION		BY	DATE
CITY OF ADDISON					
DRAINAGE DITCH					
MIDWAY ROAD IMPROVEMENTS					
STA. 20+00 to STA. 23+50					
GINN, INC., Consulting Engineers, Dallas, Texas					
DESIGNED - G.F.	DRAWN - G.F.	DATE - MARCH, 1981	FILE		
APPROVED -	CHECKED -	SCALE - AS SHOWN	SHEET 30	OF	