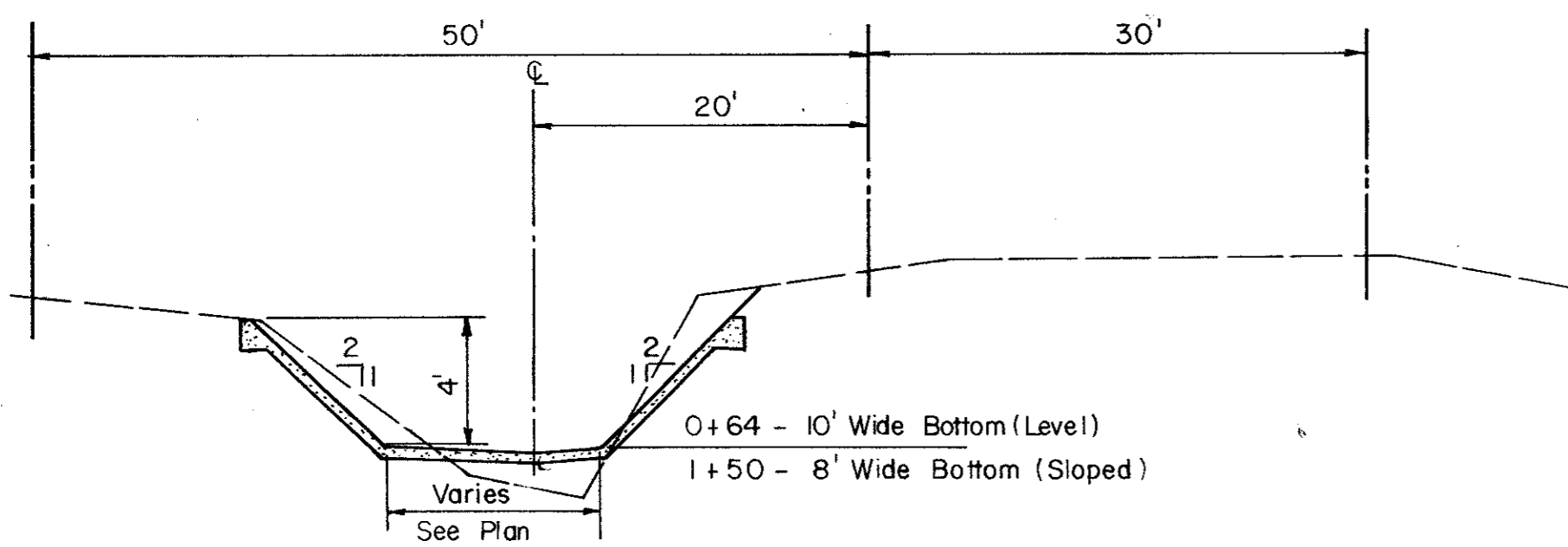
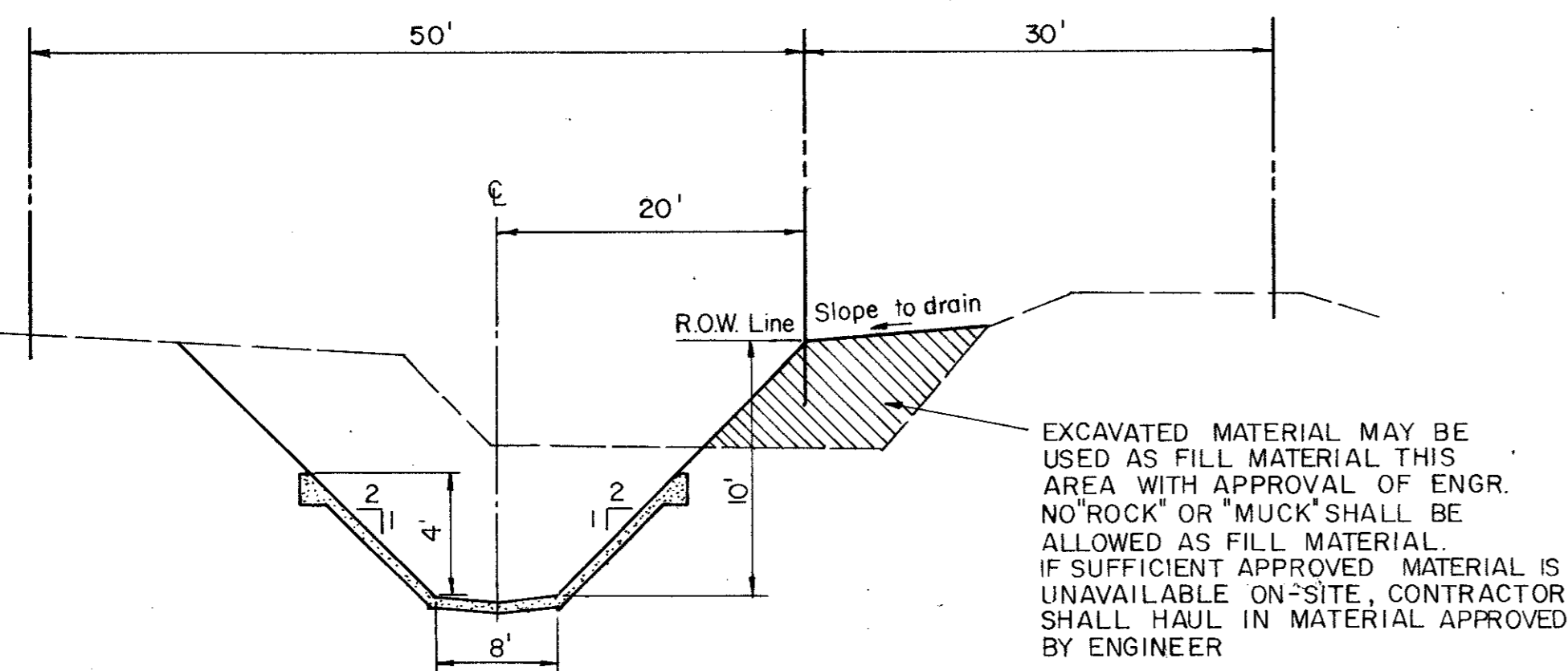


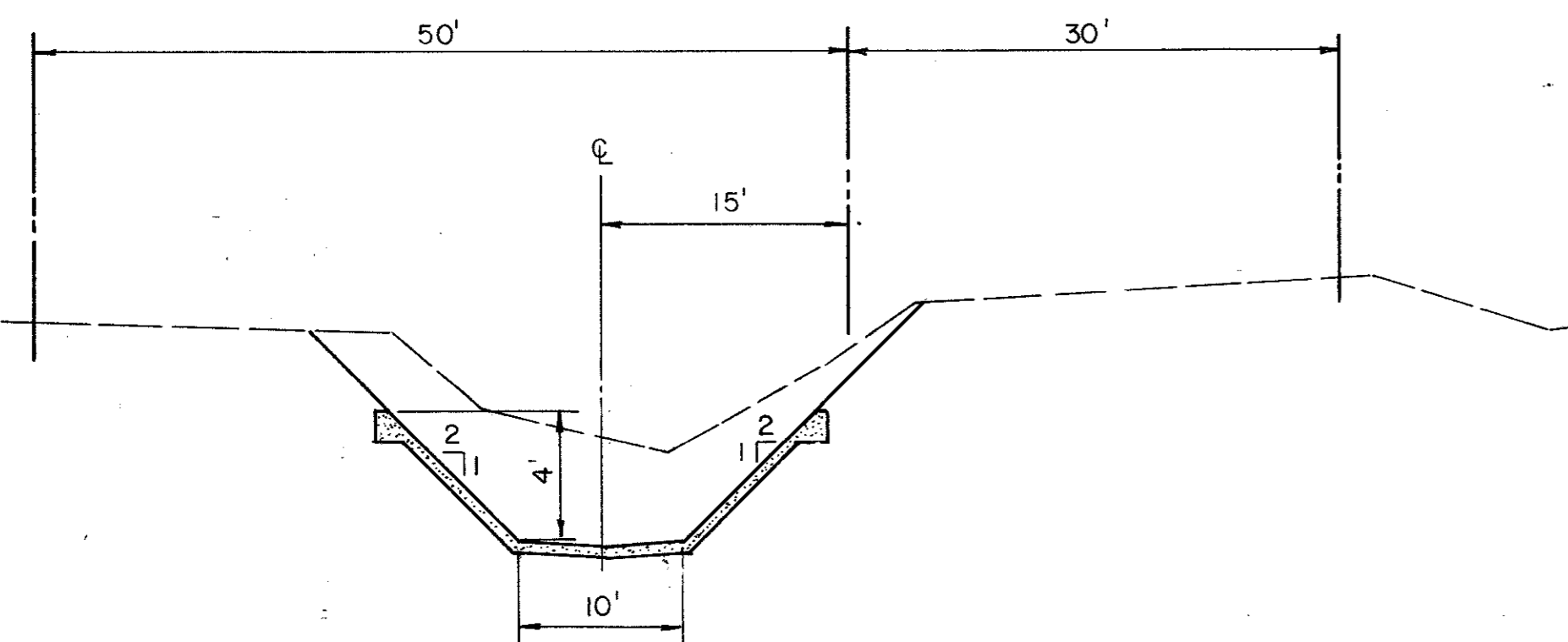
**SECTION A-A TYPICAL STA. 1+50 to 11+50**



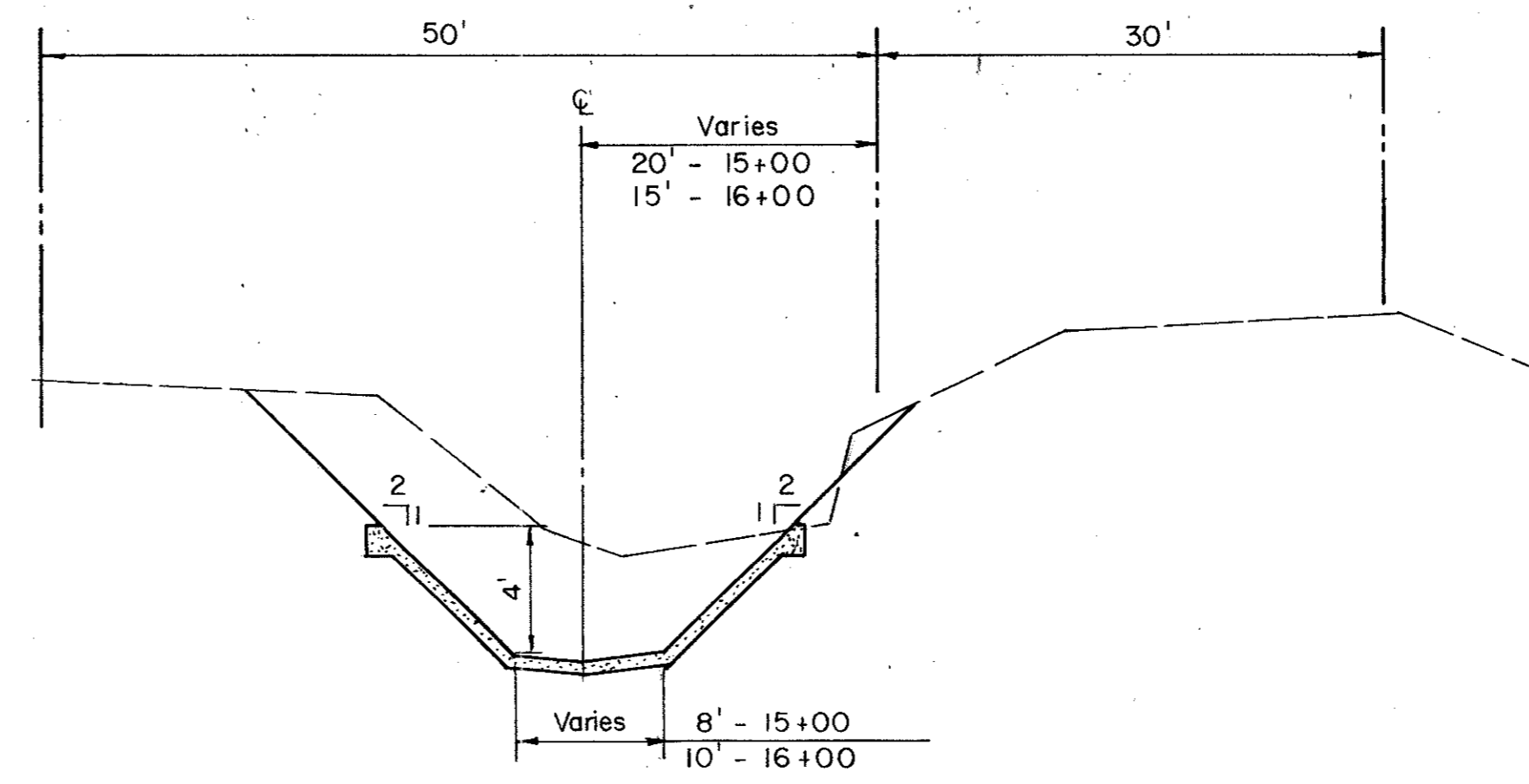
**SECTION B-B TYPICAL STA. 0+64 to 1+50**



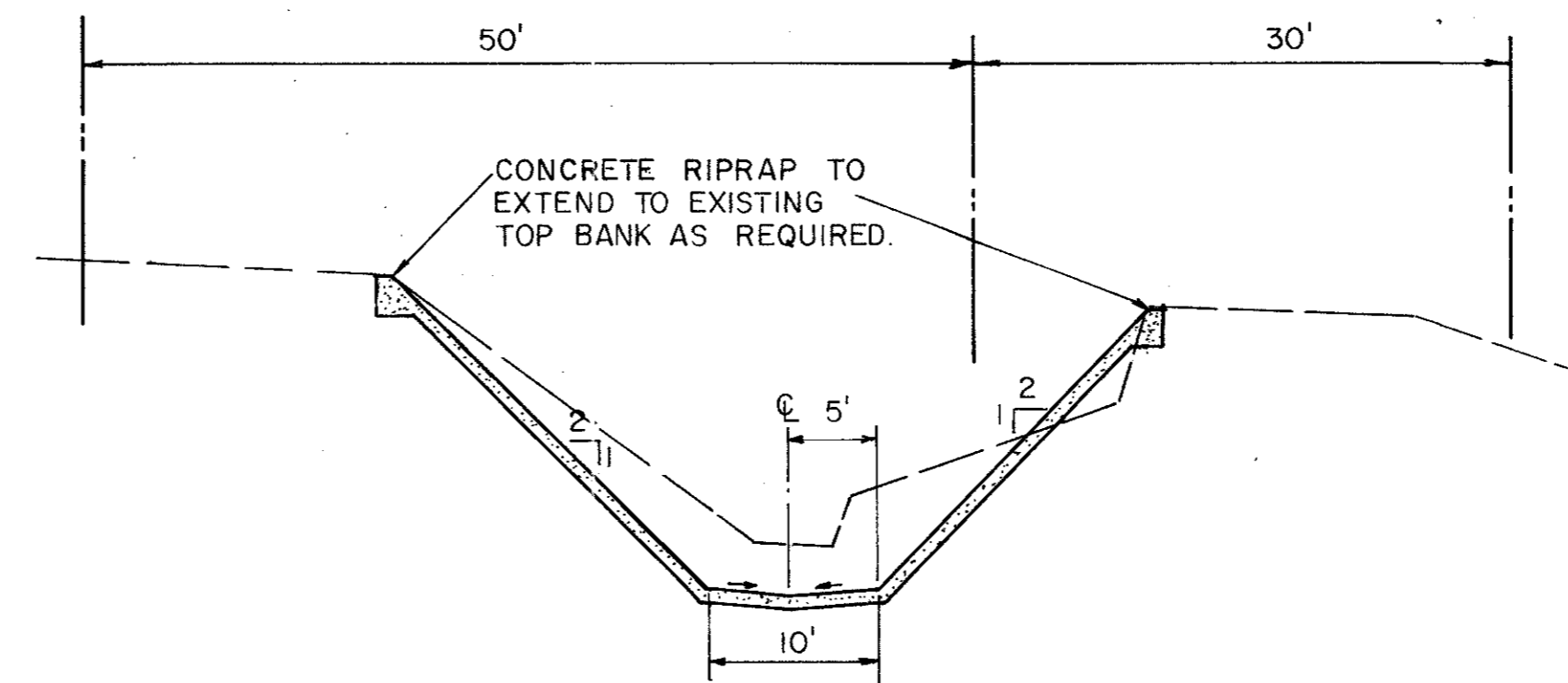
**SECTION C-C TYPICAL STA. 11+50 to 15+00**



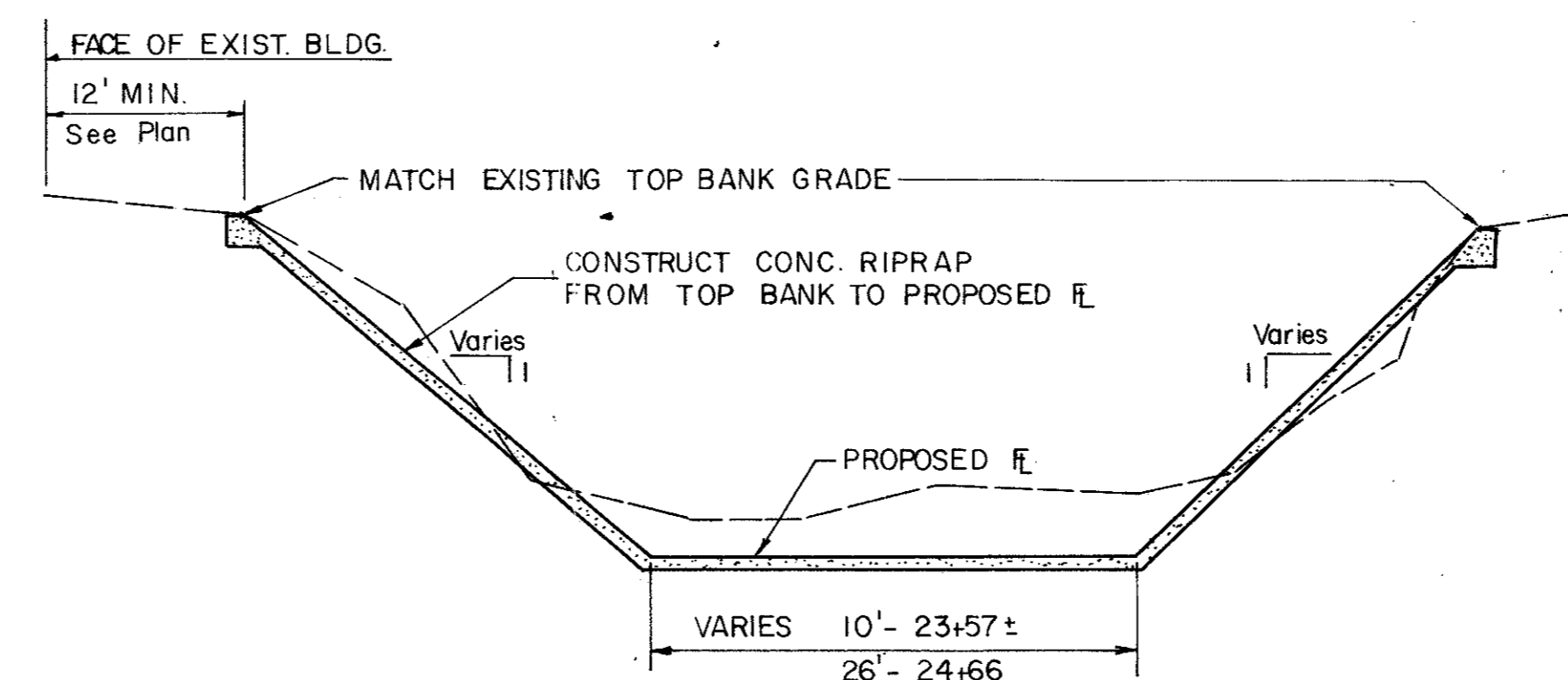
**SECTION D-D TYPICAL STA. 16+00 to 21+00**



**SECTION E-E TYPICAL STA. 15+00 to 16+00**



**SECTION F-F TYPICAL STA. 21+00 to 23+57**

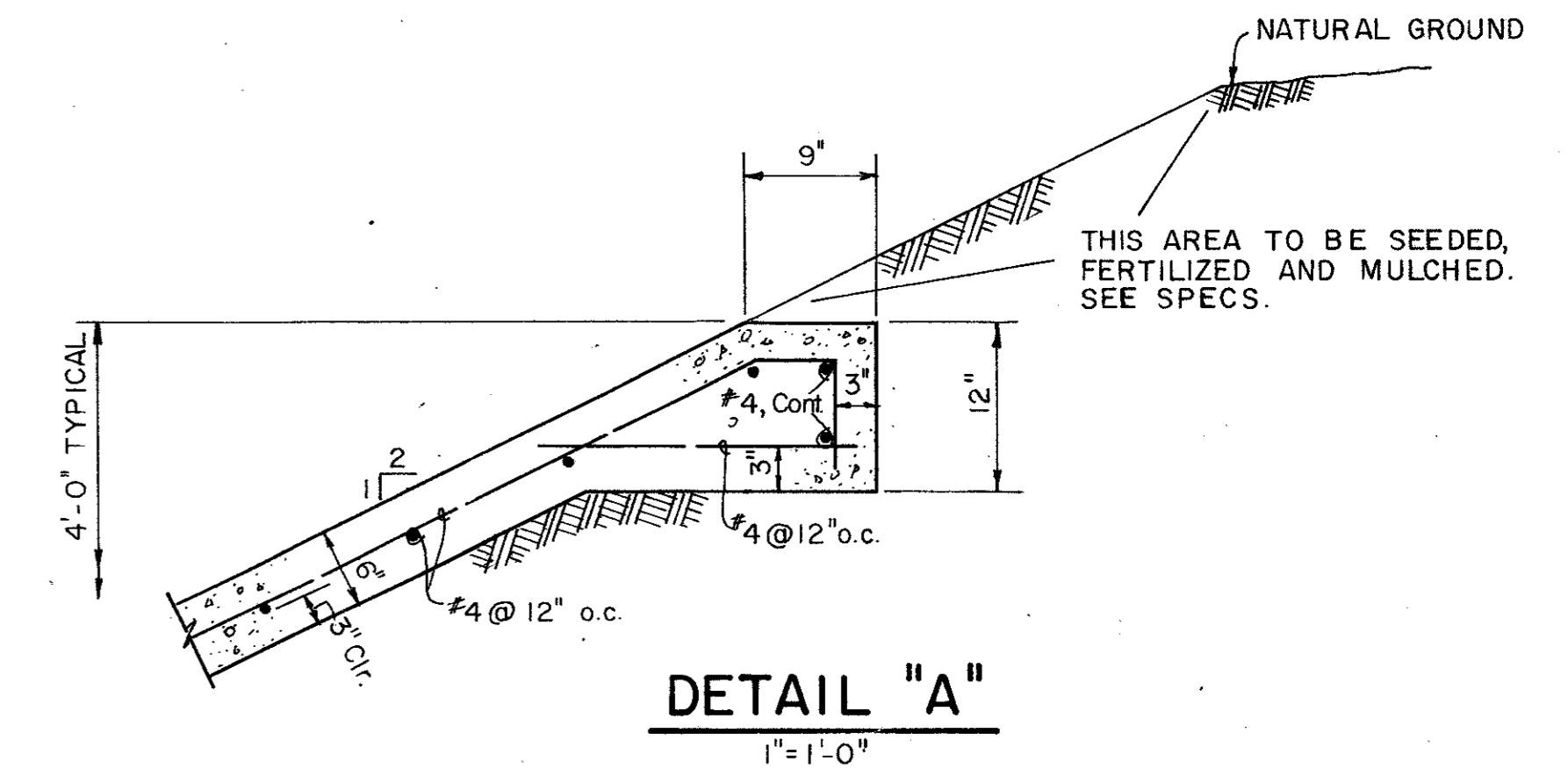


**SECTION G-G TYPICAL STA. 23+57 to 24+66**

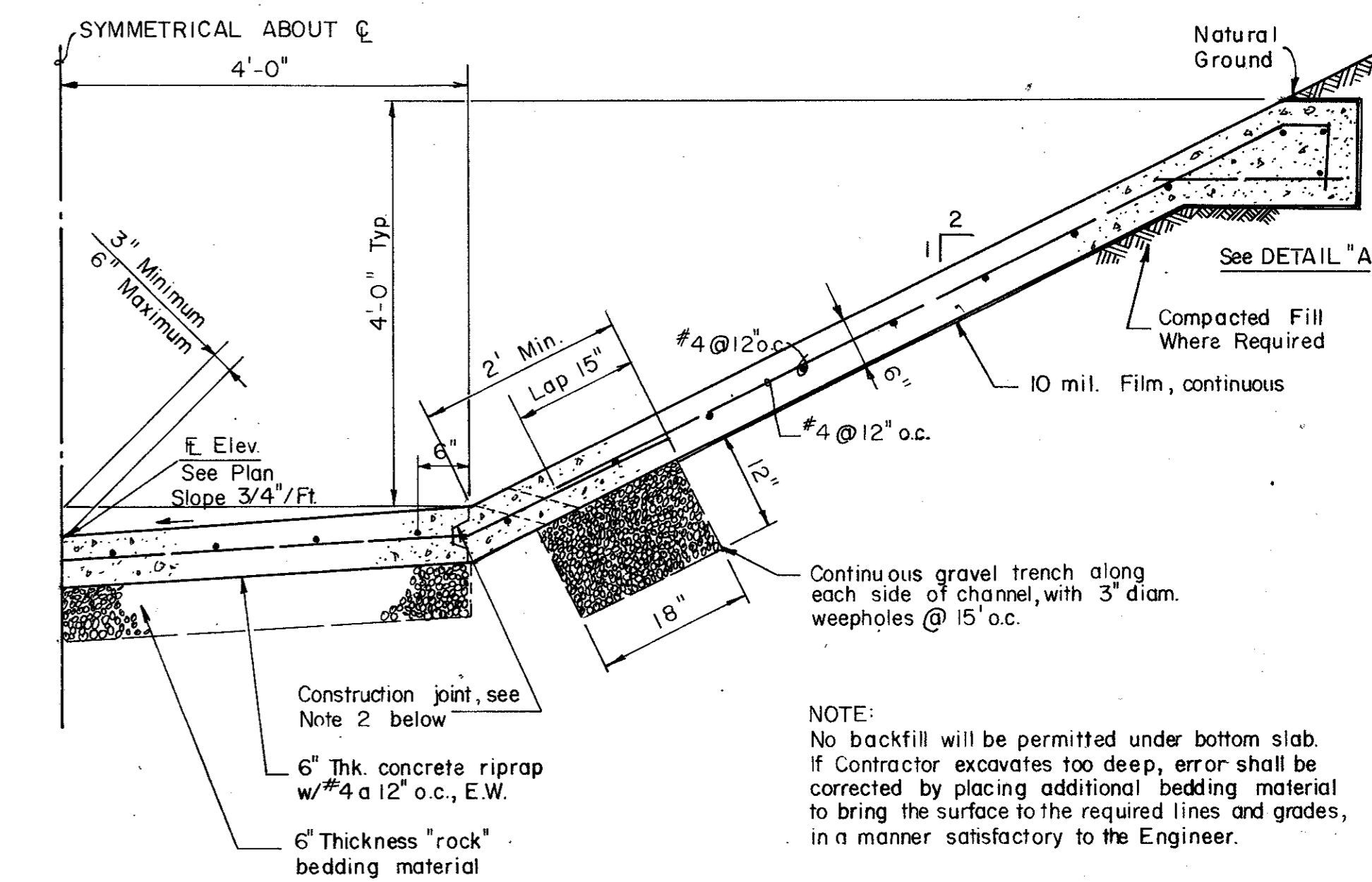
**TYPICAL DITCH SECTIONS**

Scale: 1"=10' Horiz., 1"=5' Vert.

1. CONCRETE SHALL ATTAIN A MINIMUM COMPRESSIVE STRENGTH OF 3000 psi @ 28 DAYS.
2. CONSTRUCTION JOINTS WHERE BOTTOM SLOPE MEETS SIDE SLOPE IS OPTIONAL; MONOLITHIC CONSTRUCTION MAY BE USED.
3. USE A FLOAT FINISH ON BOTTOM AND SLOPED SURFACES (TO BE EXPOSED).
4. ALL REINF. STEEL SHALL BE #4 @ 12" o.c., E.W. UNLESS OTHERWISE NOTED.
5. PROVIDE TRANSVERSE EXPANSION JOINTS AT 80' o.c., TOOLED JOINTS AT 20' o.c.. CONSTRUCTION JOINTS MAY BE USED IN LIEU OF TOOLED JOINTS. JOINTS SHALL EXTEND UP SIDE SLOPES.
6. DESIGNATION OF TYPICAL SECTIONS BY STATIONS IS APPROXIMATE AND MAY BE MODIFIED AS FIELD CONDITIONS DICTATE.

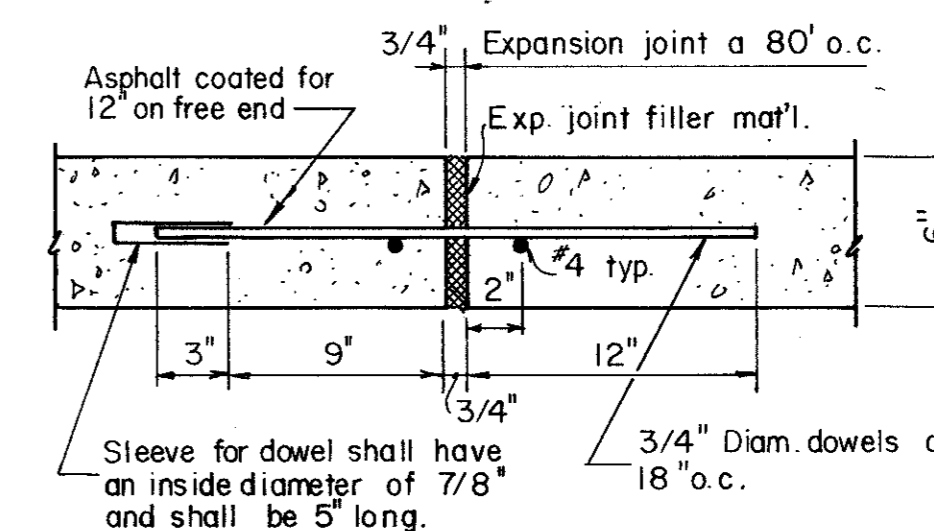


**DETAIL "A"**  
1/2"=1'-0"

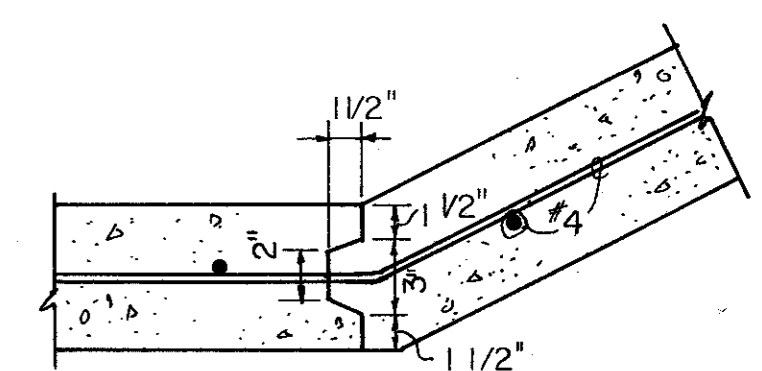


**TYPICAL CHANNEL SECTION**  
3/4"=1'-0"

NOTE:  
No backfill will be permitted under bottom slab. If Contractor excavates too deep, error shall be corrected by placing additional bedding material to bring the surface to the required lines and grades, in a manner satisfactory to the Engineer.



**TRANSVERSE EXPANSION JOINT**  
1/2"=1'-0"



**CONSTRUCTION JOINT**  
1/2"=1'-0"

|   |            |                   |             |
|---|------------|-------------------|-------------|
| <b>CITY OF ADDISON</b>                          |            |                   |             |
| <b>DRAINAGE DITCH DETAILS</b>                   |            |                   |             |
| <b>MIDWAY ROAD IMPROVEMENTS</b>                 |            |                   |             |
| GINN, INC., Consulting Engineers, Dallas, Texas |            |                   |             |
| Designed-G.F.                                   | Drawn-G.F. | Date- MARCH, 1981 |             |
| Approved-                                       | Checked-   | Scale- AS SHOWN   | Sheet 32 of |