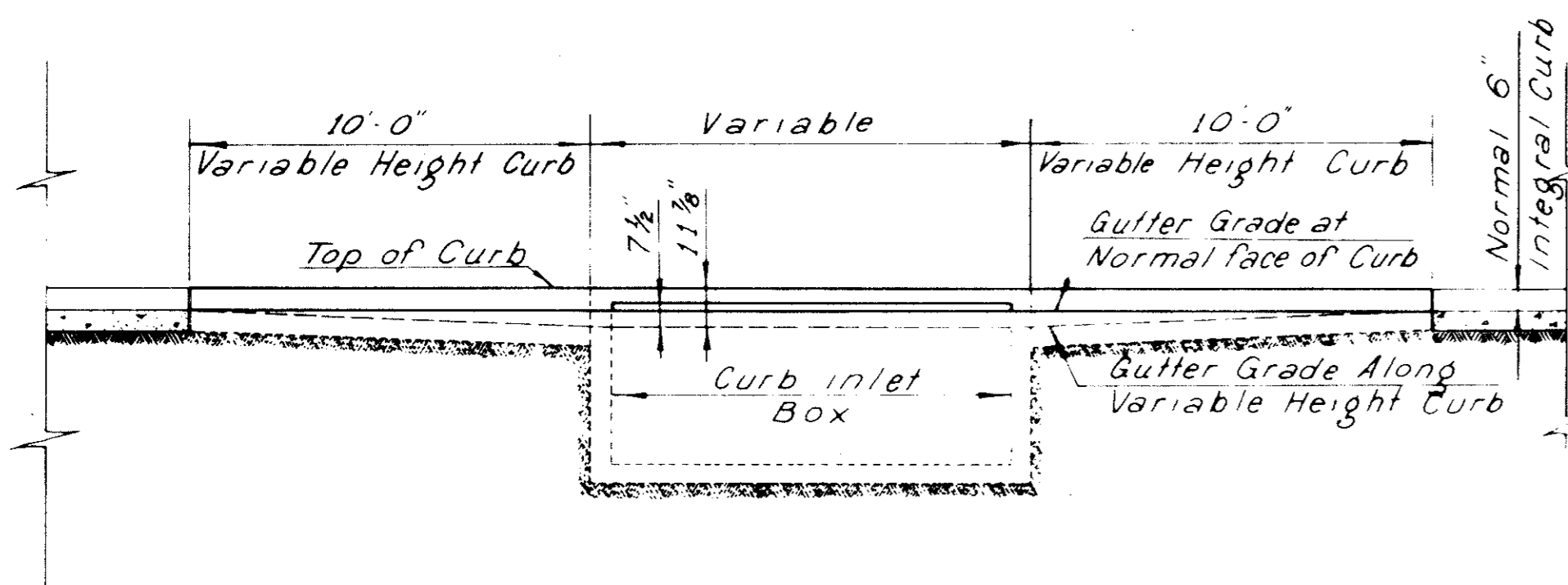
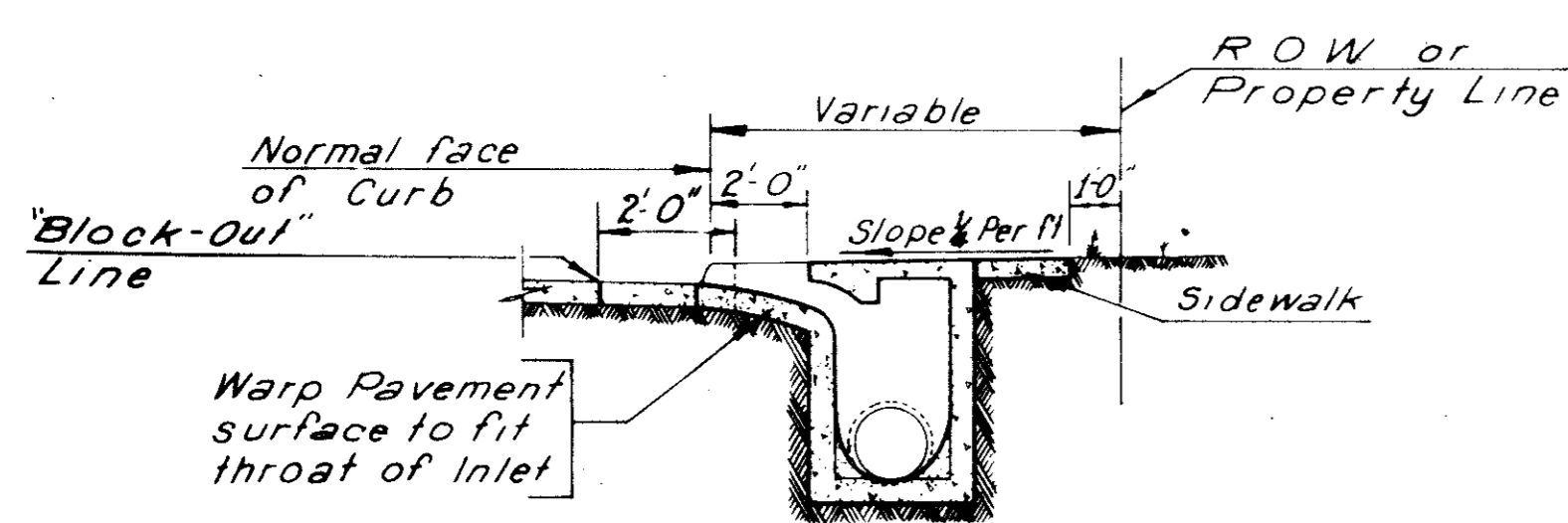


PLAN



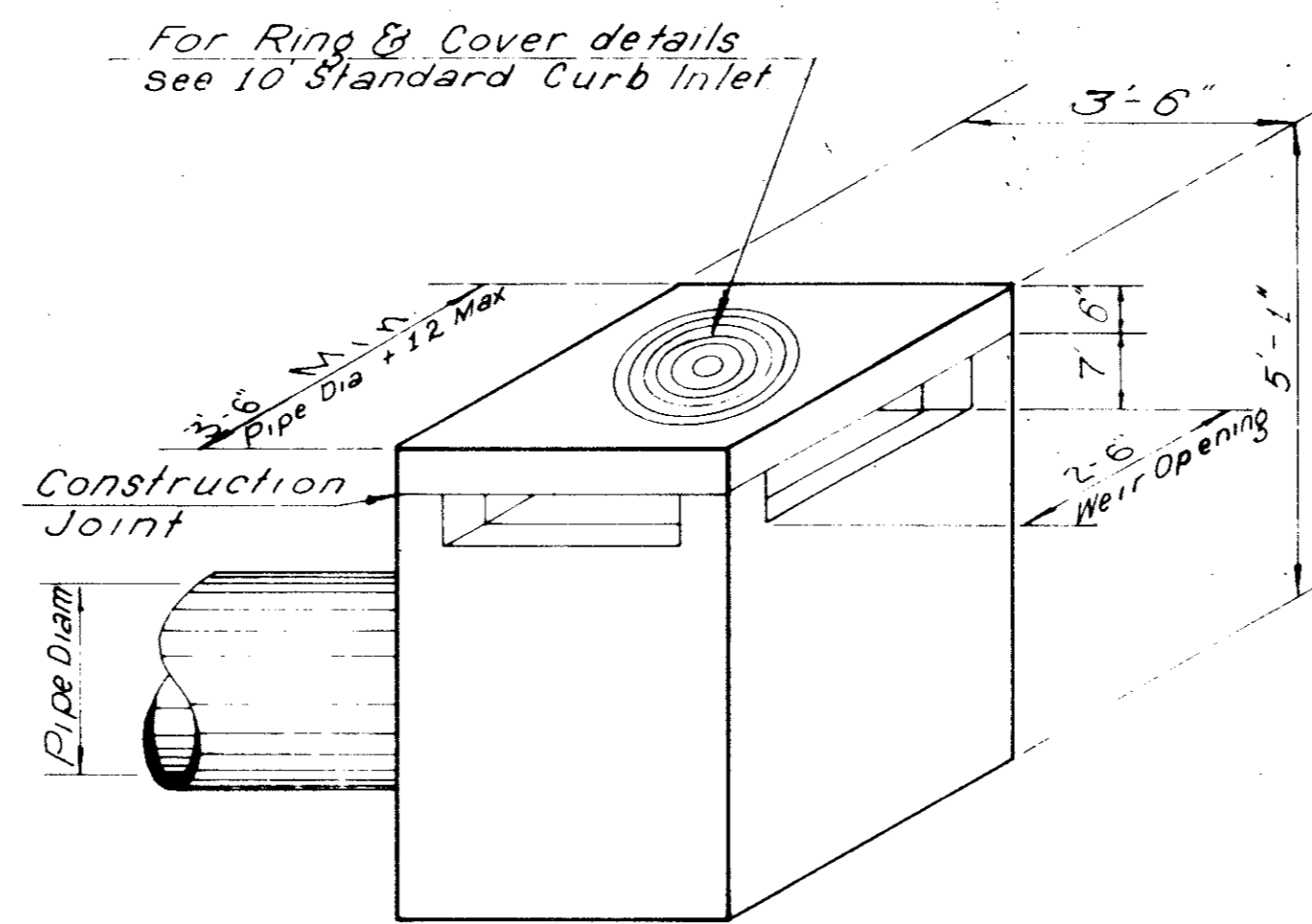
ELEVATION



SECTION A-A

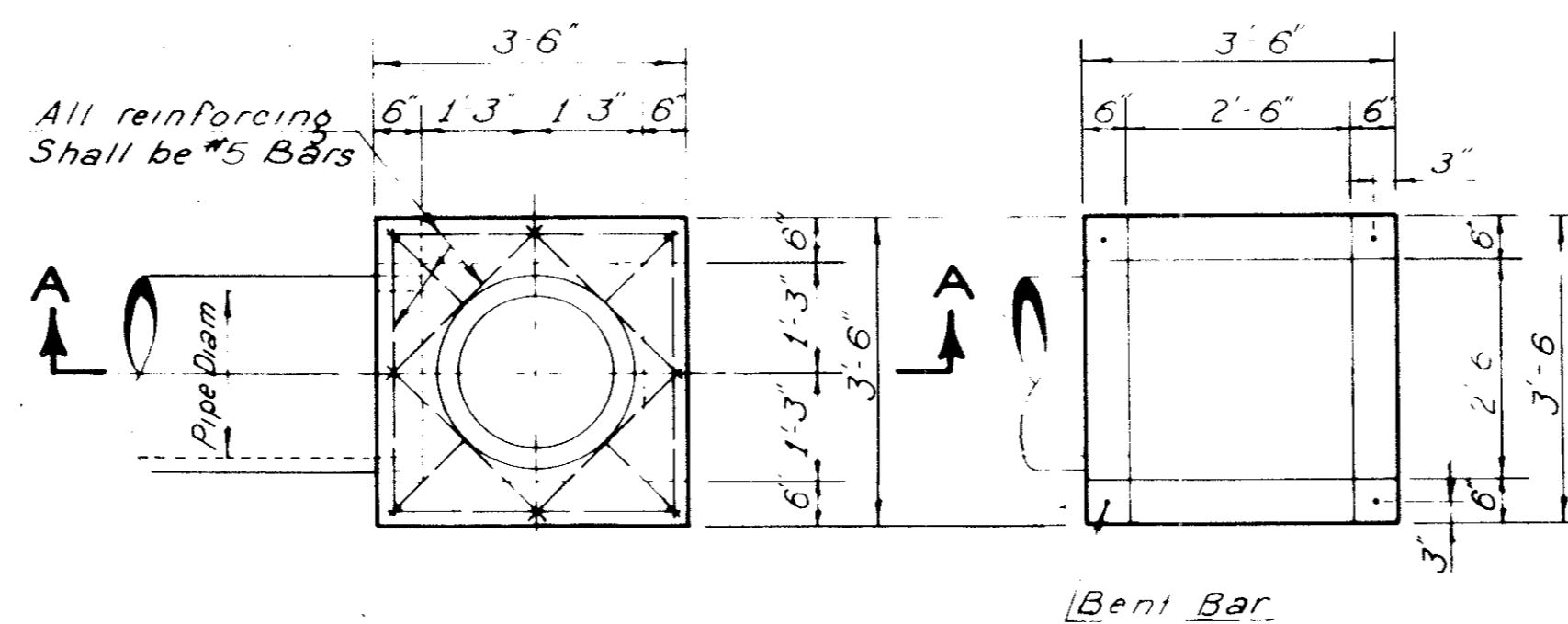
RECESSED STORM SEWER CURB INLET

SCALE: 1/4" = 1'-0"



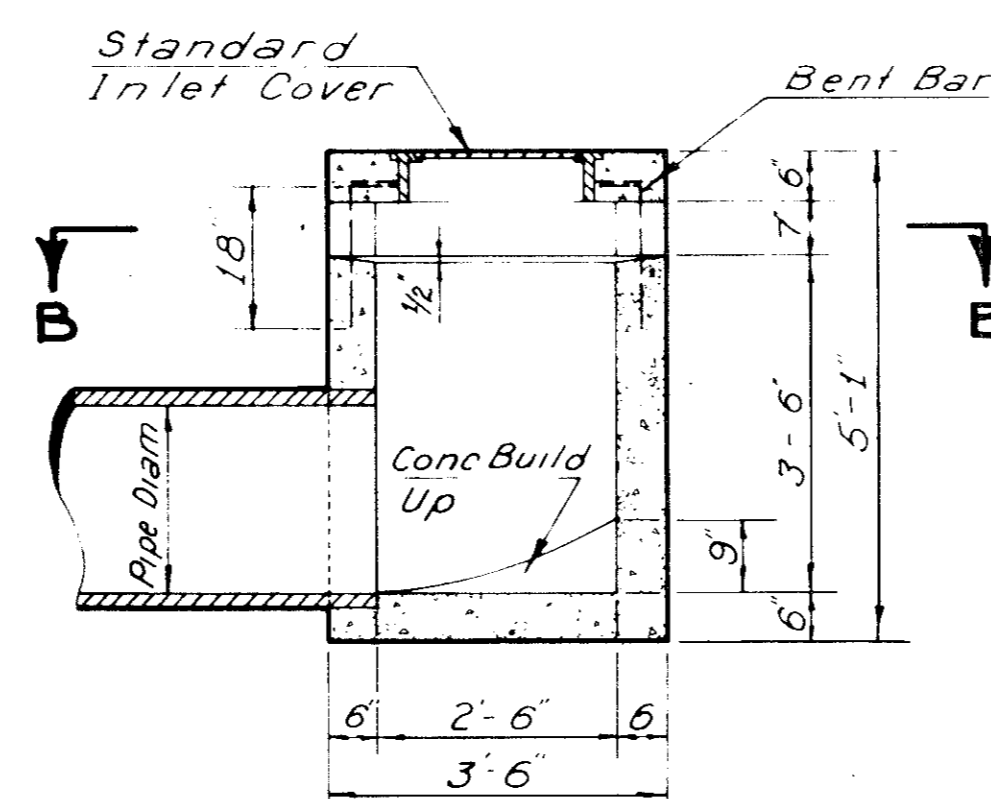
NOTE:
Type 'X' Inlet - Weir opening are required on four sides
Type 'Y' Inlet - Weir opening are required on two opposite sides

ISOMETRIC DETAIL



PLAN

SECTION B-B

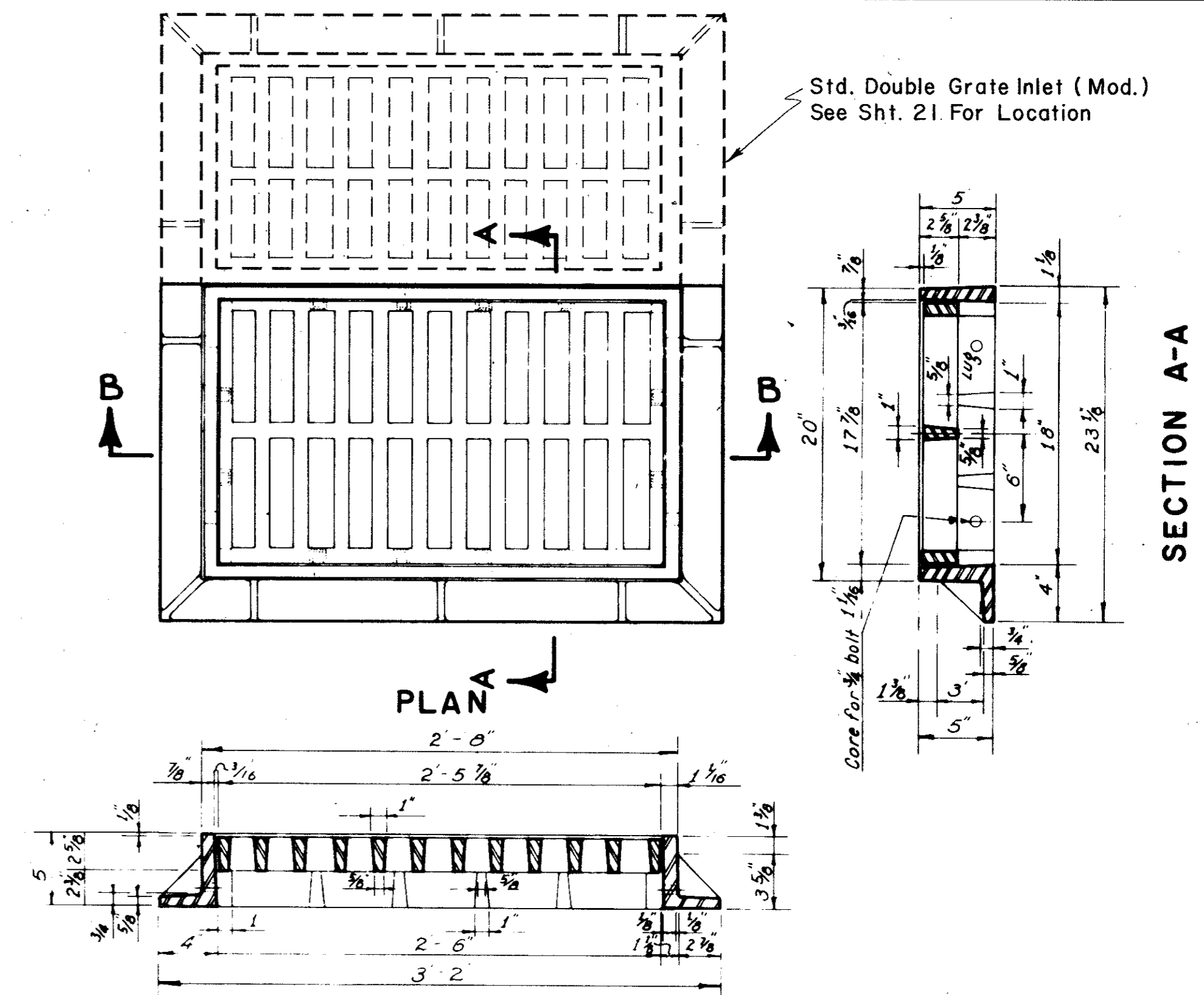


SECTION A-A

STANDARD TYPE "X" & "Y" INLETS

SCALE: 1/2" = 1'-0"

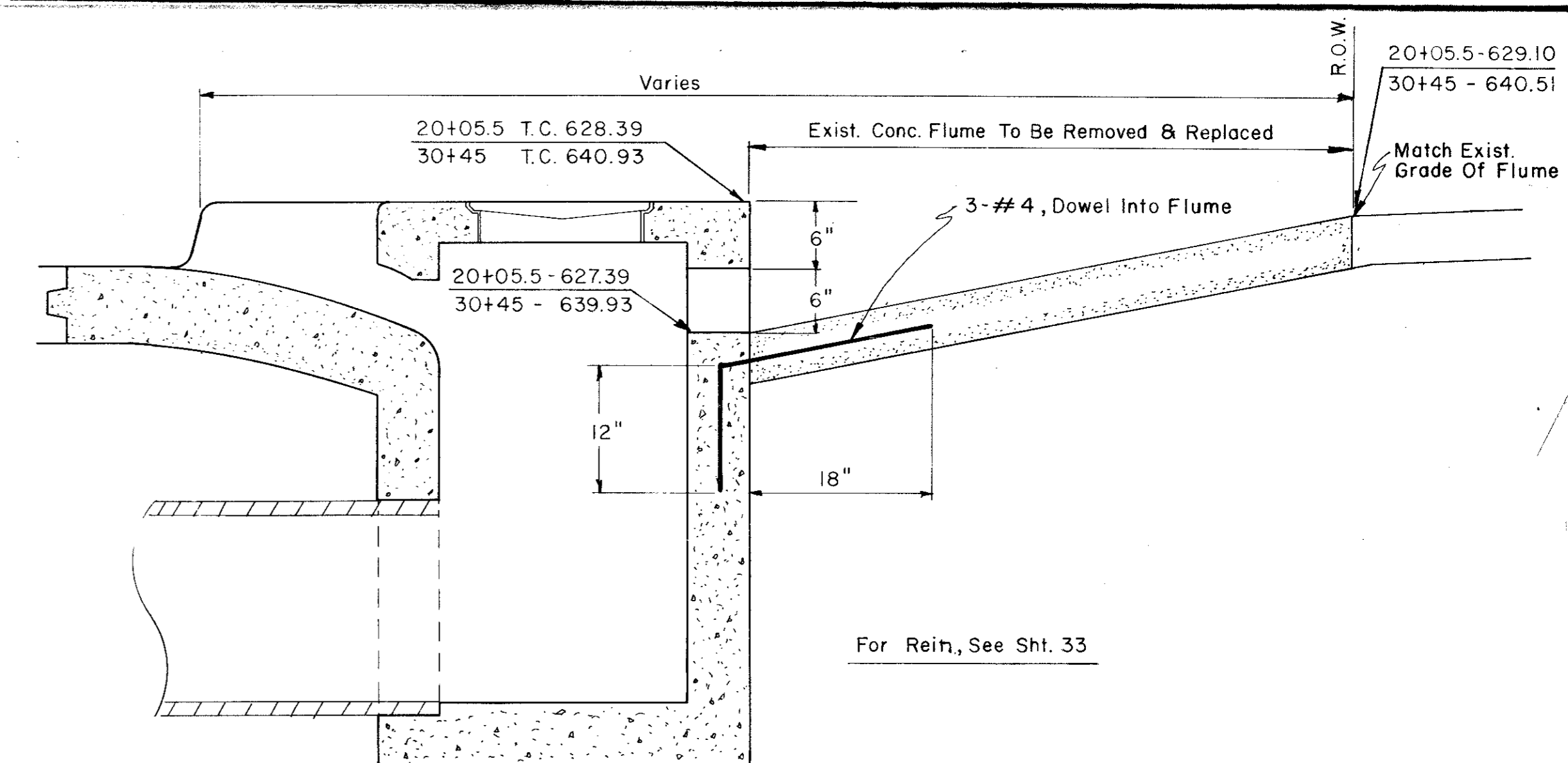
NOT IN CONTRACT



SECTION B-B

INLET GRATE & FRAME

SCALE: 1/2" = 1'-0"



10' MODIFIED RECESSED INLET

(STA. 20+05.5 AND STA. 30+45)

CITY OF ADDISON

MIDWAY ROAD IMPROVEMENTS

RECESSED CURB INLET DETAILS

BIN, NC Consulting Engineers			
DESIGN	BY S.M.M.	DATE	11-20-1980
PREP. BY	W.E.D. G.F.	SCALE	NONE
			SHEET 34 OF