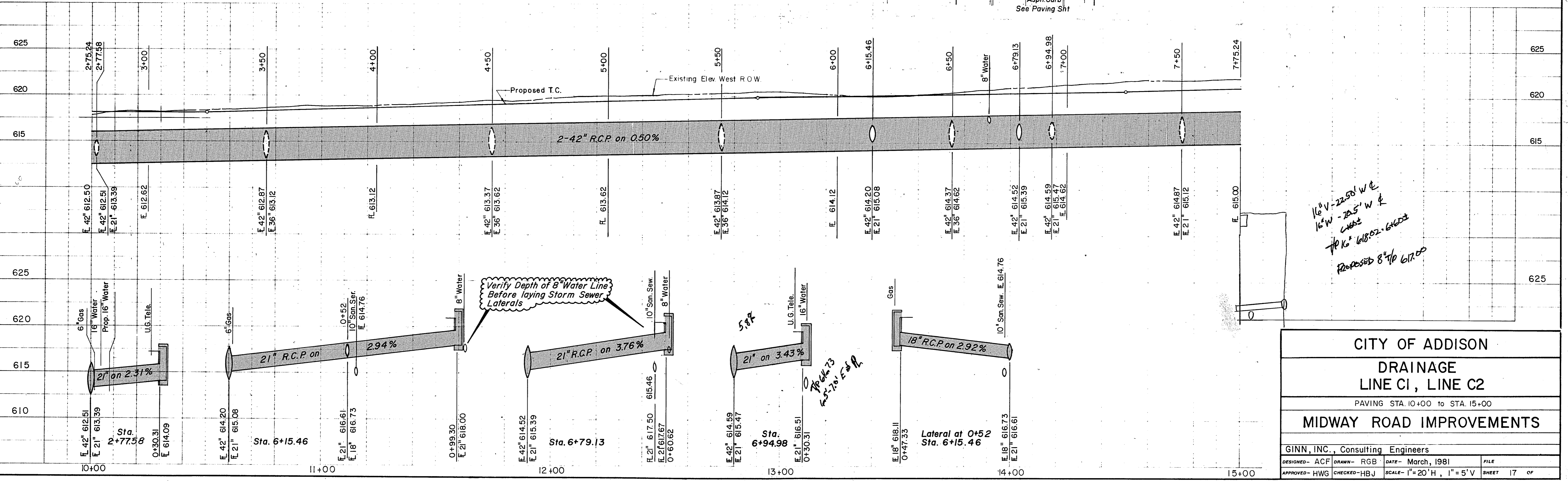
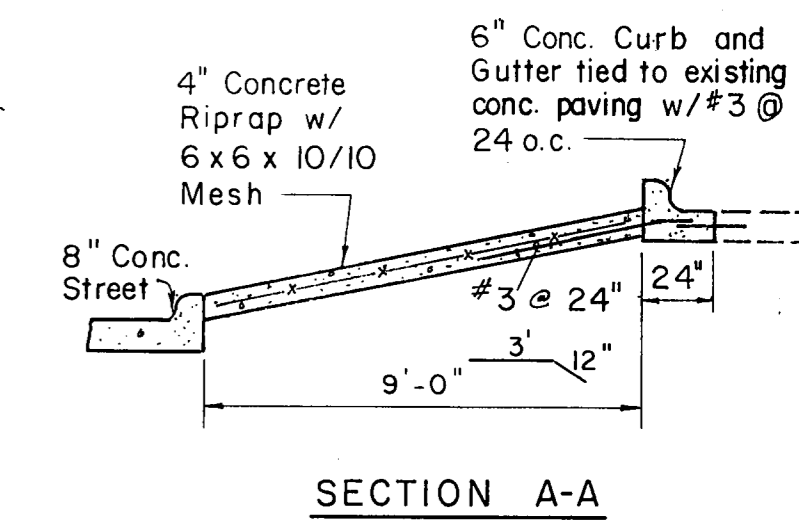
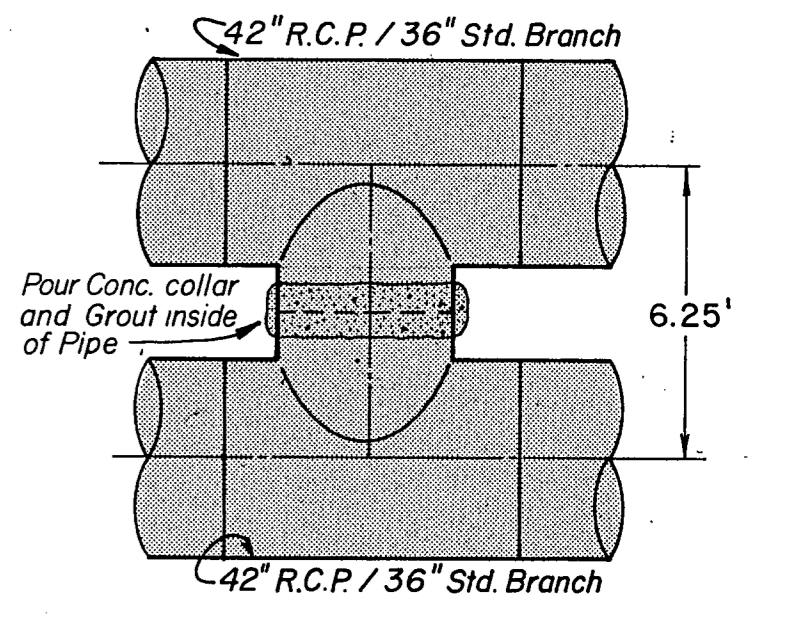
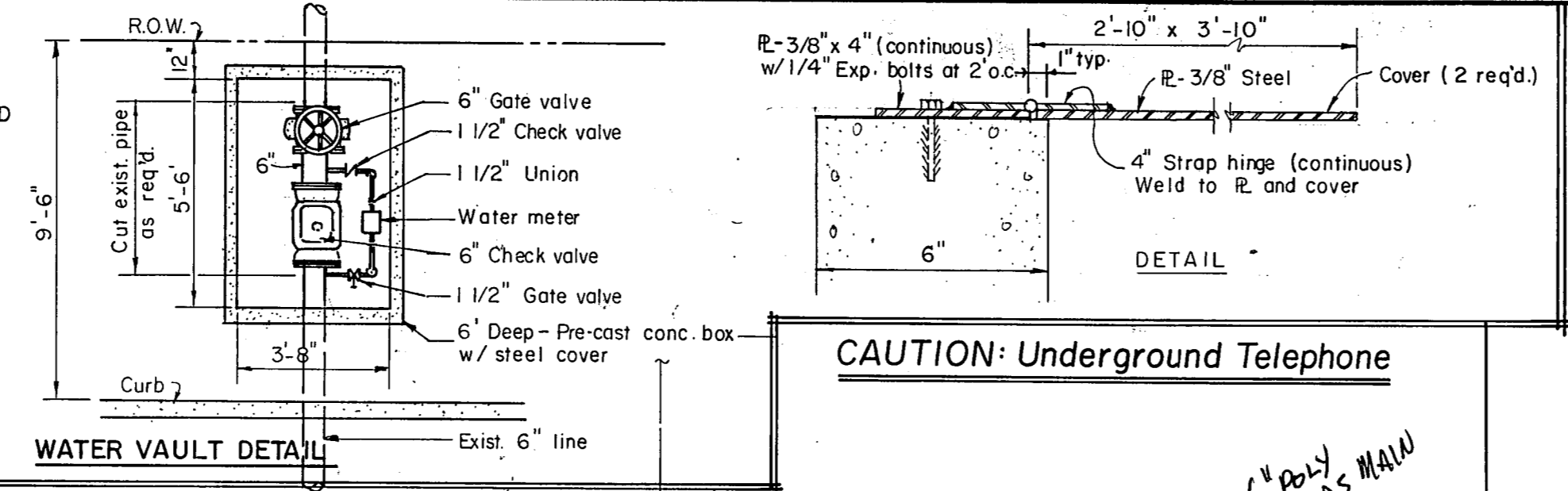


NOTE: ALL EXISTING VALVES, FITTINGS, AND METER MAY BE RE-USED (IF REMOVED IN GOOD CONDITION) AS APPROVED BY ENGR.



16" V - 22.50' W E  
 16" W - 22.5' W E  
 16" R.C.P. 618.02 - 617.00  
 PROPOSED 8" @ 617.00

Verify Depth of 8" Water Line Before laying Storm Sewer Laterals

CITY OF ADDISON  
 DRAINAGE  
 LINE C1, LINE C2  
 PAVING STA. 10+00 TO STA. 15+00  
**MIDWAY ROAD IMPROVEMENTS**

GINN, INC., Consulting Engineers  
 DESIGNED - ACF DRAWN - RGB DATE - March, 1981 FILE  
 APPROVED - HWG CHECKED - HBJ SCALE - 1" = 20' H, 1" = 5' V SHEET 17 OF