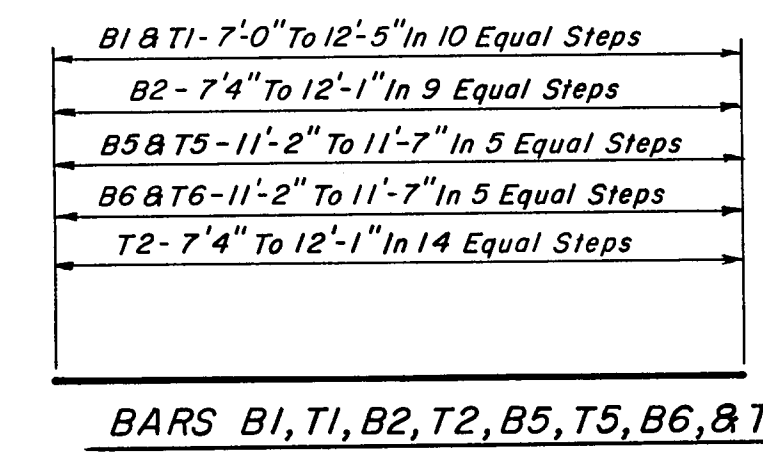


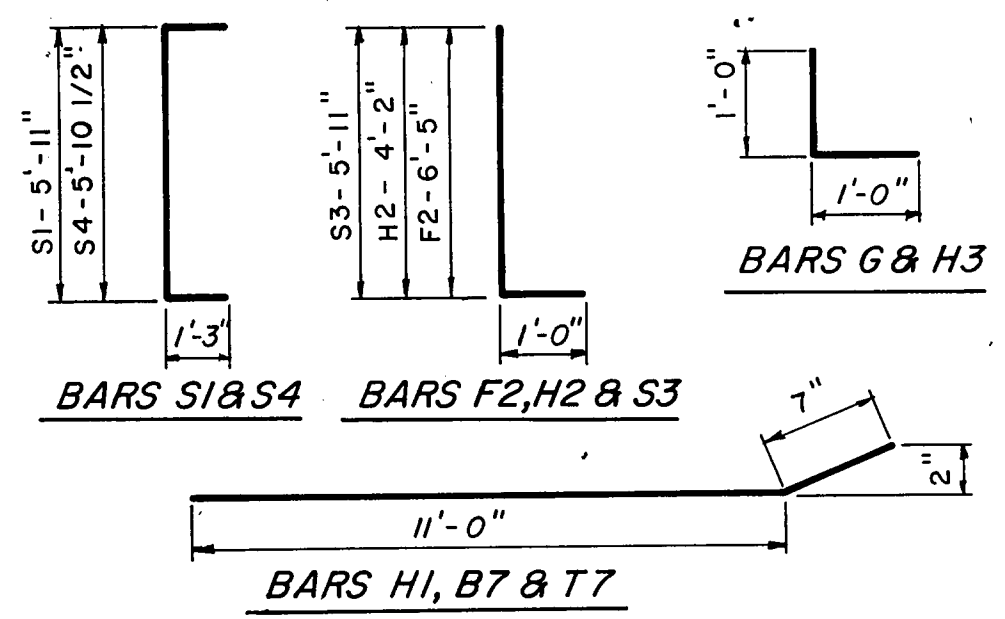
PLAN
Scale: 1/2" = 1'-0"

BAR SCHEDULE					
BAR	TYPE	SIZE	NO.	LENGTH	WEIGHT
B1	Str.	#5	11	9'-8" Avg.	111
B2	do	5	10	9'-8" Avg.	101
B3	do	5	1	12'-6"	13
B4	do	5	1	6'-9"	7
B5	do	5	12	11'-4" Avg.	142
B6	do	5	12	11'-4" Avg.	142
B7	Bt.	5	2	11'-7"	24
S1	Bt.	5	26	8'-5"	228
S2	Str.	4	32	5'-2"	110
S3	Str.	5	12	7'-2"	90
S4	do	5	6	8'-4"	52
H1	Bt.	4	16	11'-7"	124
H2	do	4	8	6'-2"	33
H3	do	4	16	2'-0"	21
W1	Str.	5	8	4'-0"	33
W2	do	5	8	3'-0"	25
W3	do	5	4	3'-6"	15
W4	do	5	4	3'-9"	16
W5	do	5	16	4'-6"	75
T1	Str.	5	11	9'-8" Avg.	111
T2	do	7	15	9'-8" Avg.	293
T3	do	5	1	12'-6"	13
T4	do	5	1	6'-9"	7
T5	do	4	12	11'-4" Avg.	91
T6	do	5	12	11'-4" Avg.	142
T7	Bt.	4	2	11'-7"	16
Total					2035

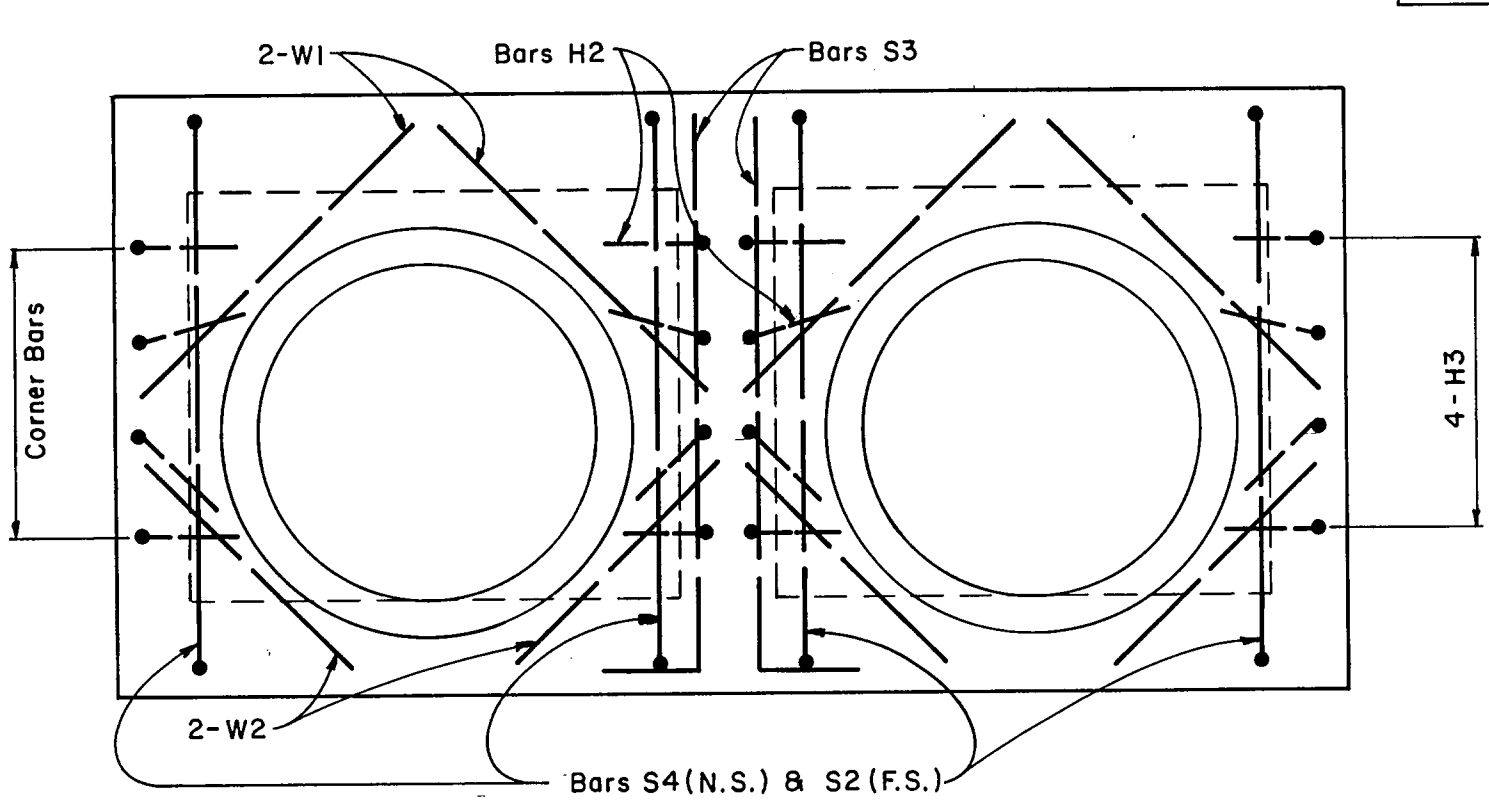
BAR SCHEDULE RET. WALL 'A' & 'B'					
BAR	TYPE	SIZE	NO.	LENGTH	WEIGHT
A1	Str.	#4	2	31'-1"	42
A2	do	4	2	17'-1"	23
E1	do	5	2	30'-4"	63
E2	do	5	8	16'-4"	136
E3	do	5	6	6'-6"	41
E4	do	5	12	3'-4"	42
E5	do	5	6	2'-11"	18
F1	do	5	40	6'-5"	267
F2	Bt.	5	40	7'-5"	309
G	do	5	4	3'-0"	13
Total For Walls 'A' & 'B'					954



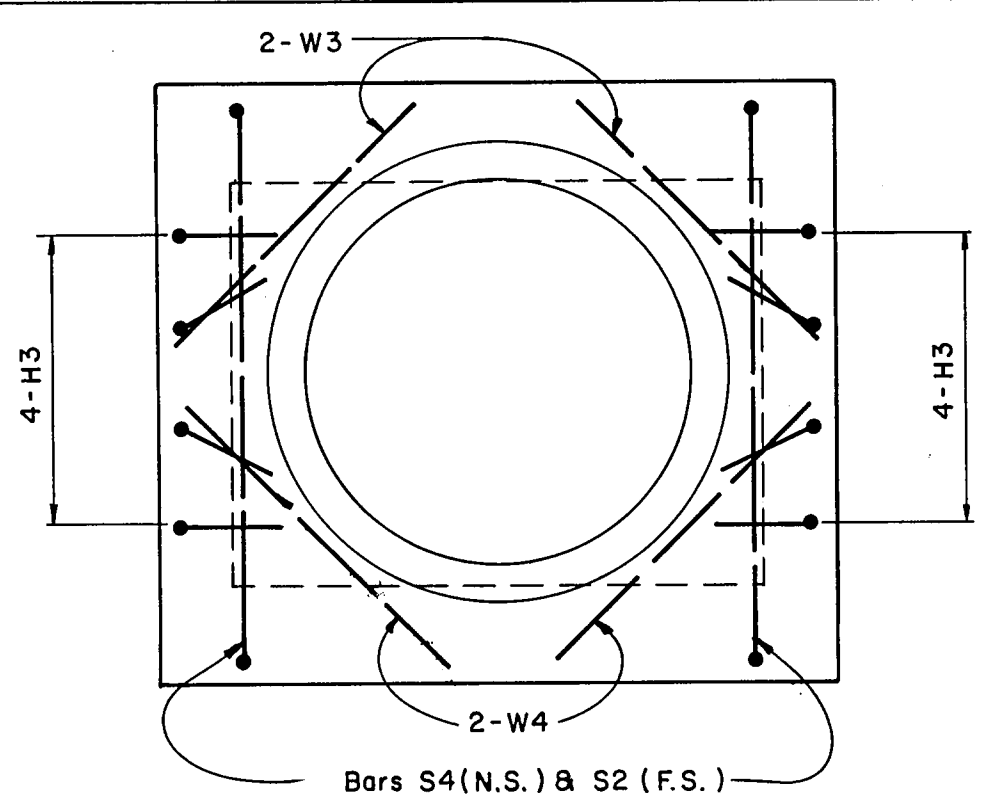
BARS B1, T1, B2, T2, B5, T5, B6, & T6



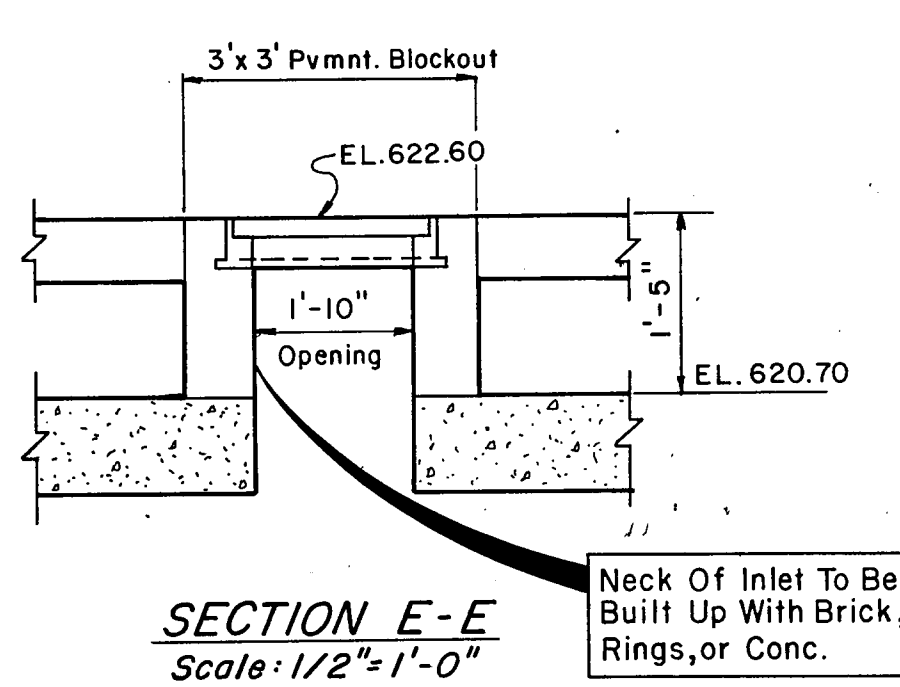
ESTIMATED QUANTITIES		
Class A Concrete (Spec. Manhole)	13.0 C.Y.	
Reinforced Steel (Spec. Manhole)	2035.0 LBS.	
Frame and Cover	1.0 EA.	



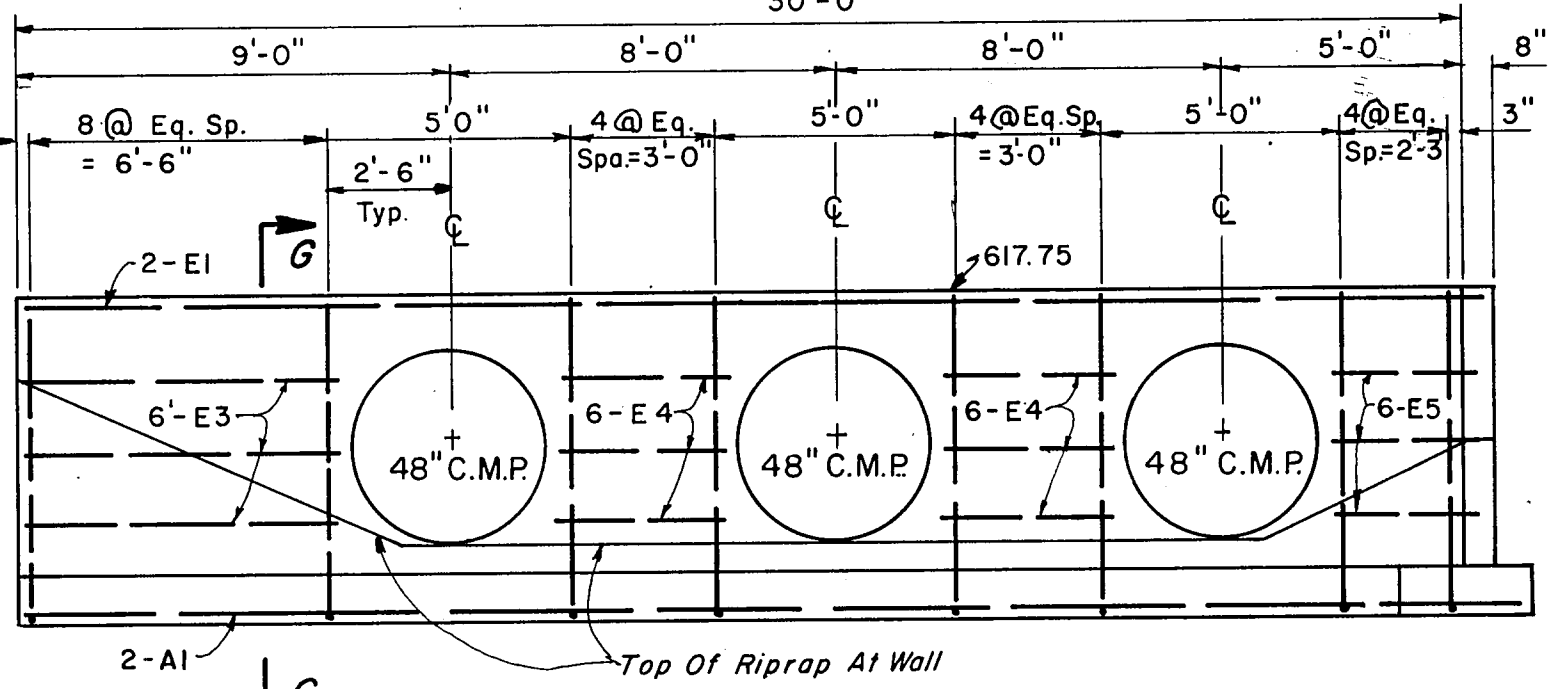
ELEV. A-A
Scale: 1/2" = 1'-0"



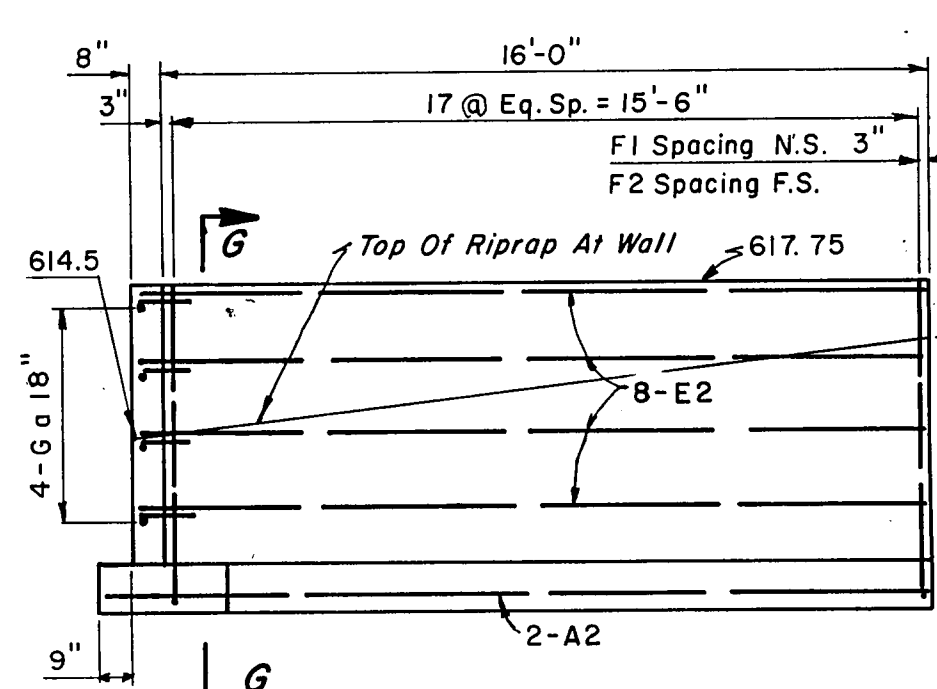
ELEV. B-B
Scale: 1/2" = 1'-0"



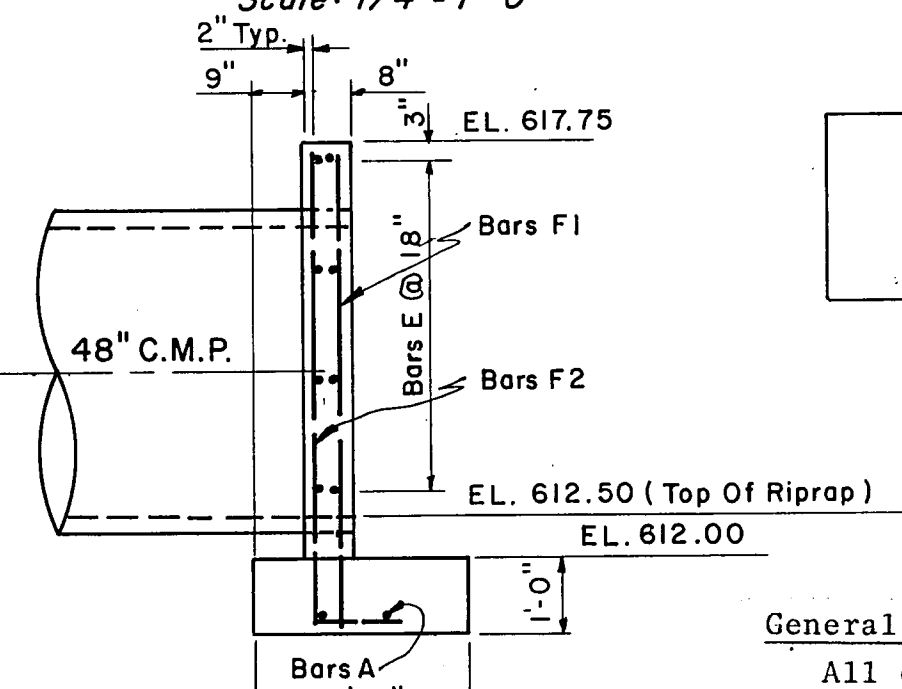
SECTION E-E
Scale: 1/2" = 1'-0"



ELEVATION WALL 'A'
Scale: 1/4" = 1'-0"



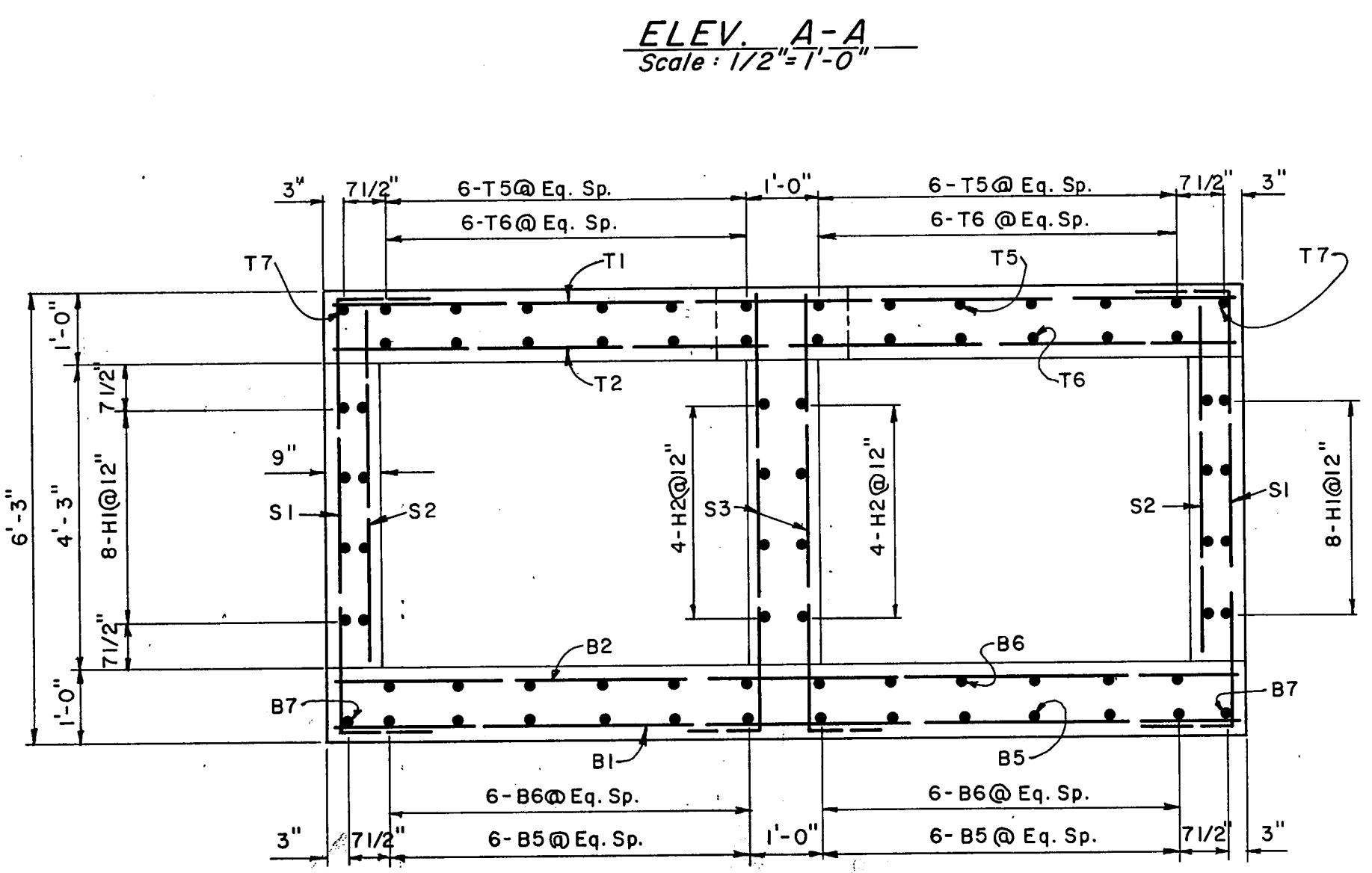
ELEVATION WALL 'B'
Scale: 1/4" = 1'-0"



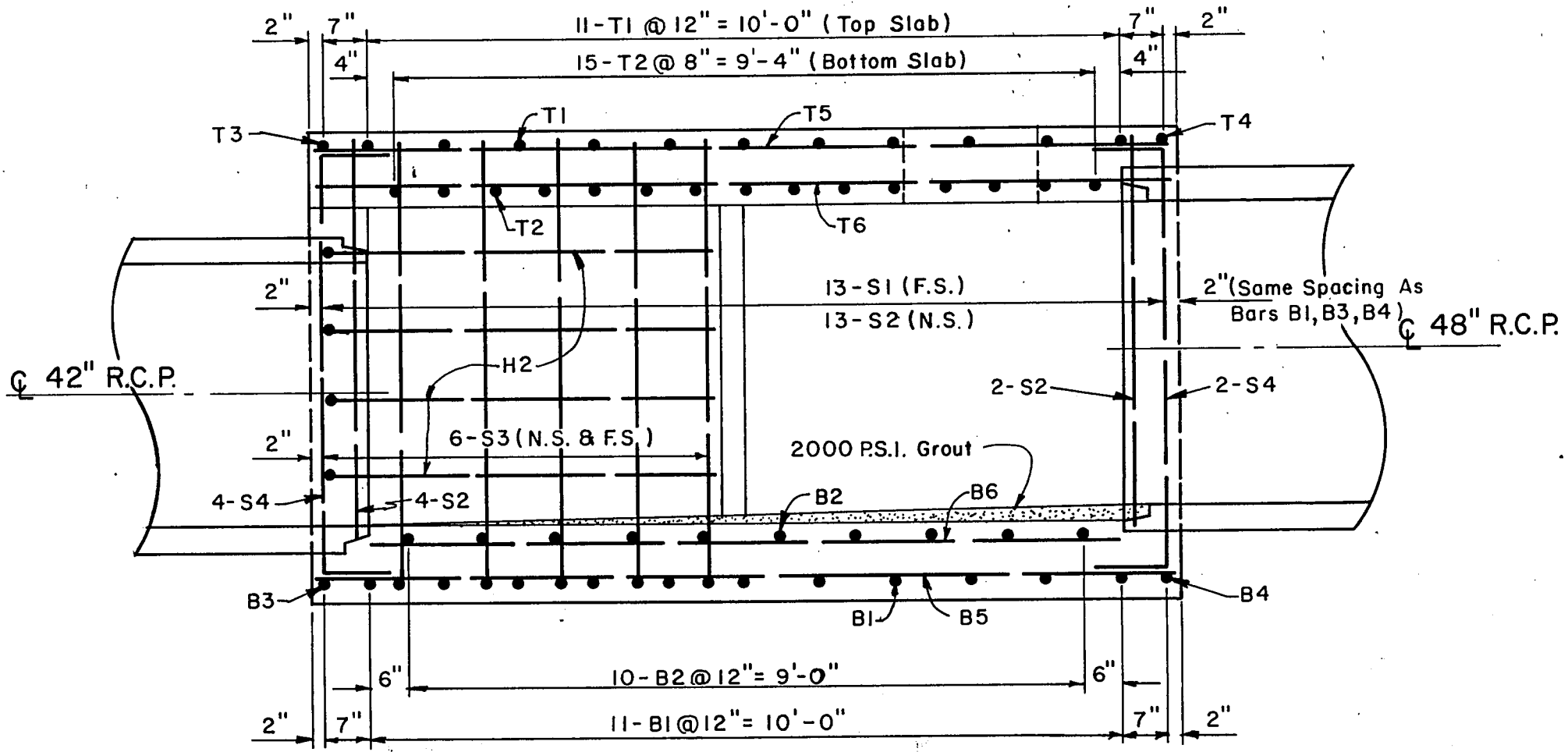
SECTION G-G
Scale: 3/8" = 1'-0"

Class A. Concrete (Retaining Walls)	11.7 c.y.
Reinf. Steel (Retaining Walls)	954.0 lbs.
Class A Concrete (Riprap)	15.35 c.y.

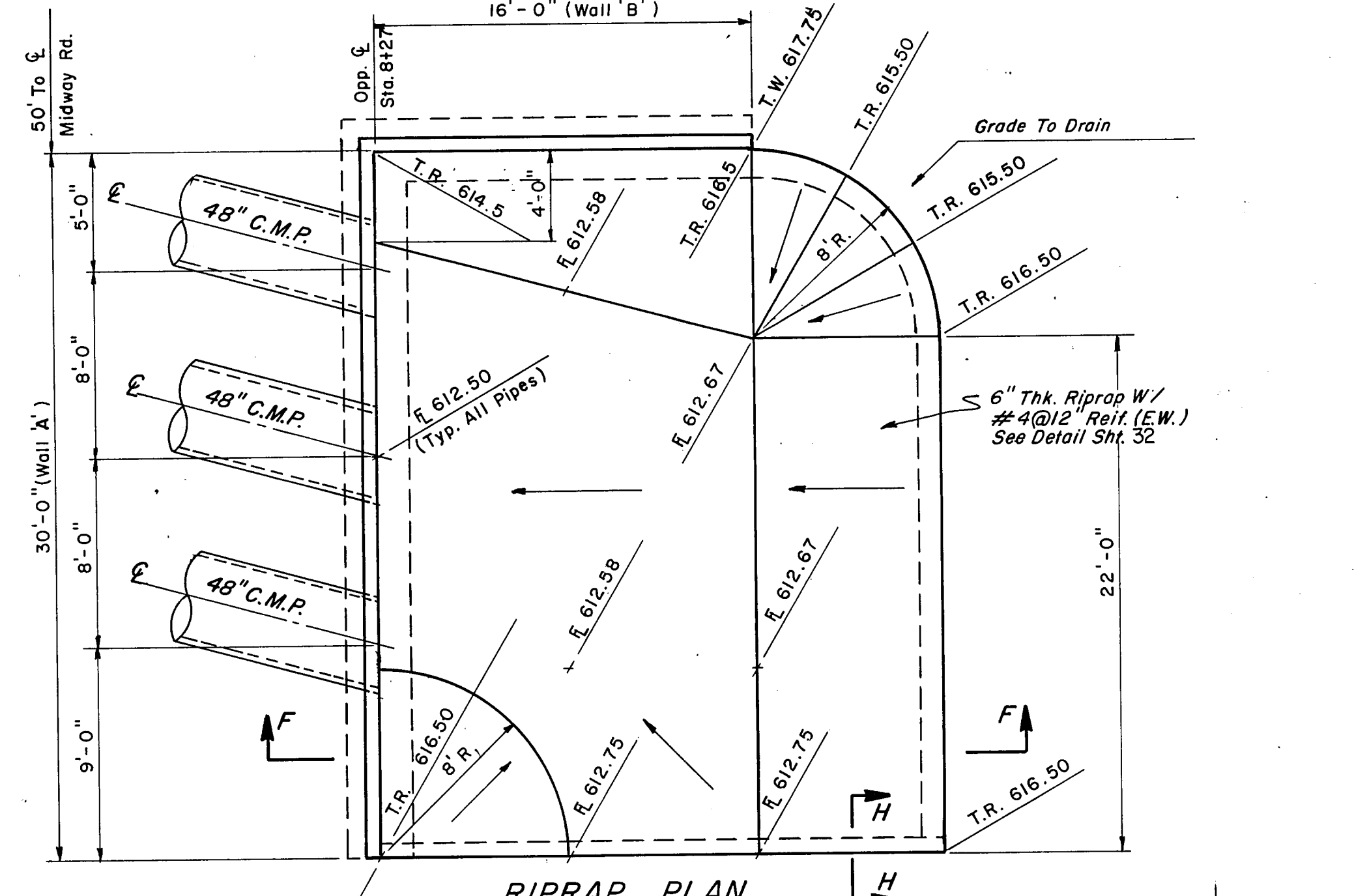
General Notes:
All concrete shall be Class A. All exposed corners of Walls 'A' & 'B' shall be chamfered 3/4".
All dimensions relating to reinforcing steel are to centers of bars. Reinforcing bars to be A.S.T.M. Grade 40.



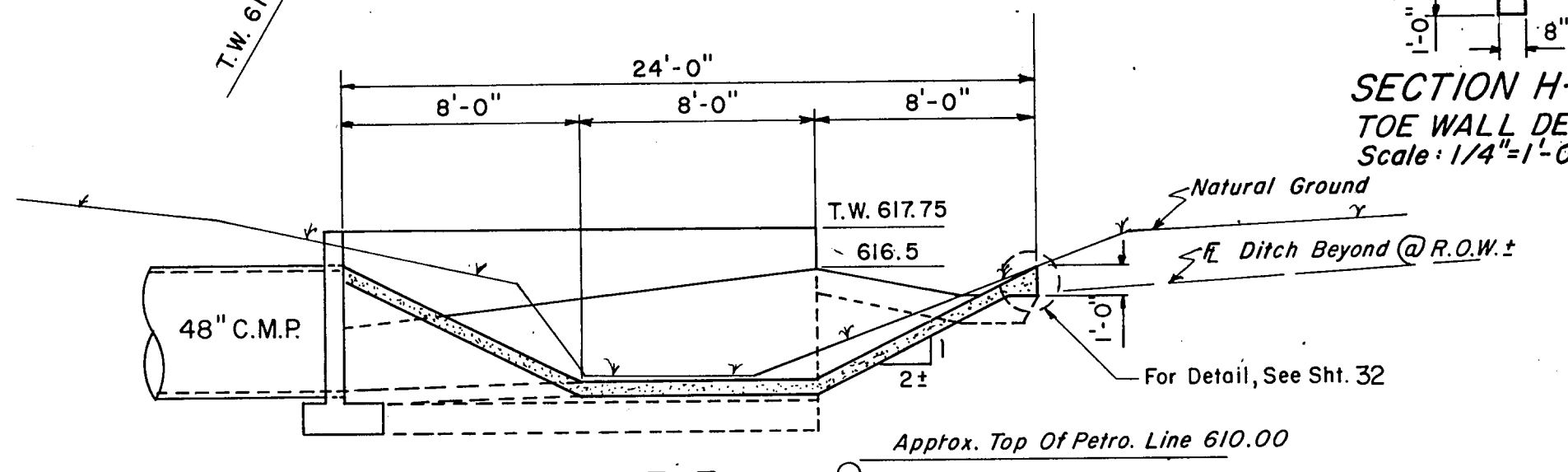
SECTION C-C
Scale: 1/2" = 1'-0"



SECTION D-D
Scale: 1/2" = 1'-0"



RIPRAP PLAN
Scale: 3/16" = 1'-0"



SECTION F-F
Scale: 3/16" = 1'-0"

SECTION H-H TOE WALL DET.
Scale: 1/4" = 1'-0"

CITY OF ADDISON
DALLAS COUNTY, TEXAS
MIDWAY ROAD

JUNCTION BOX DETAIL

GINN, INC.
Consulting Engineers - Dallas, Texas

Designed - A.C.F. Drawn - S.M.M. Date - MARCH, 1981
Approved - H.W.G. Checked - A.G.F. Scale - As Shown Sheet 25 of