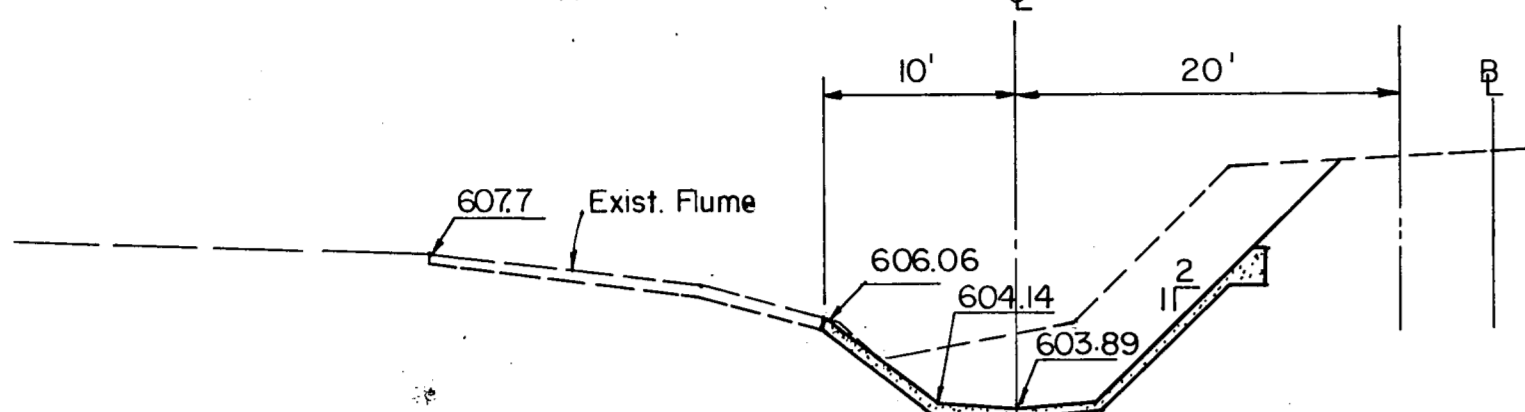


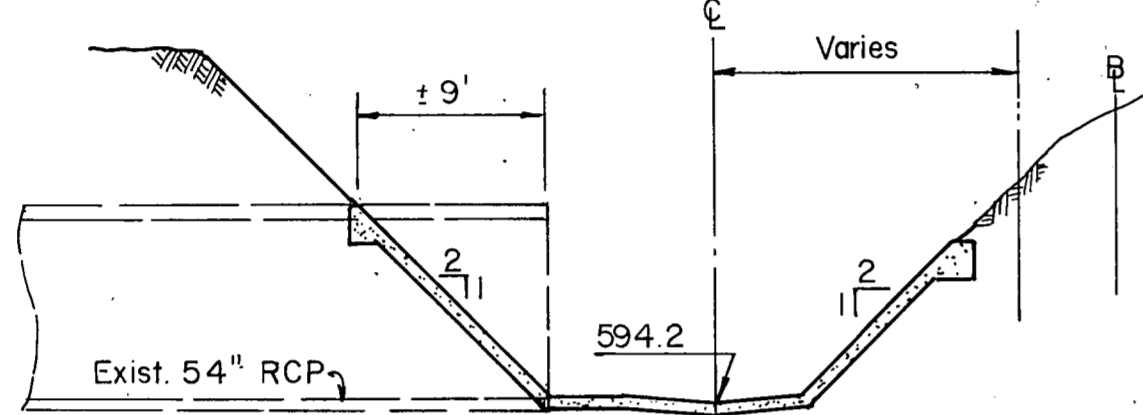
FLUME AT STA. 0+98.5

N.T.S.



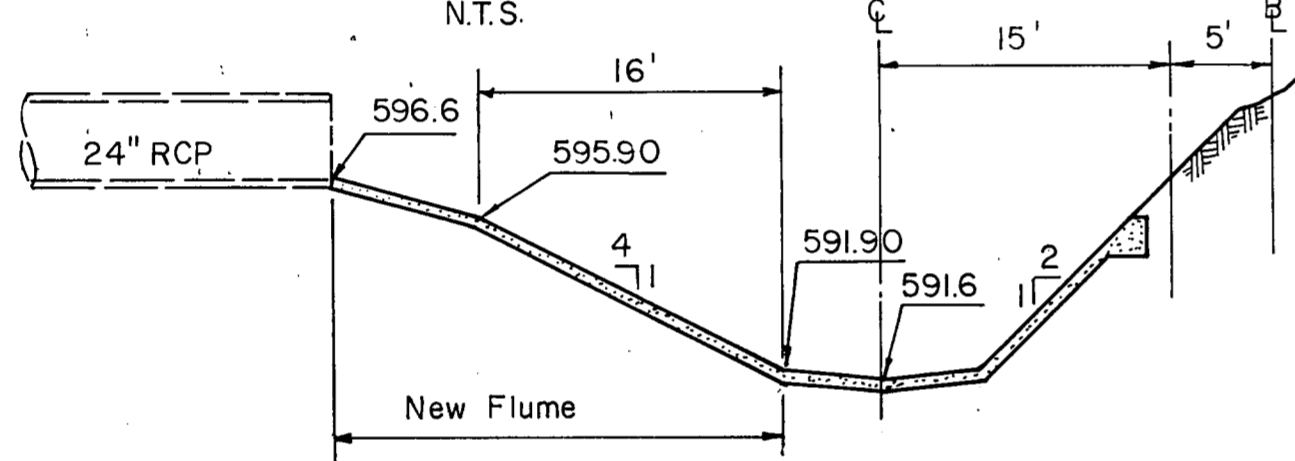
FLUME AT STA. 6+18.0

N.T.S.



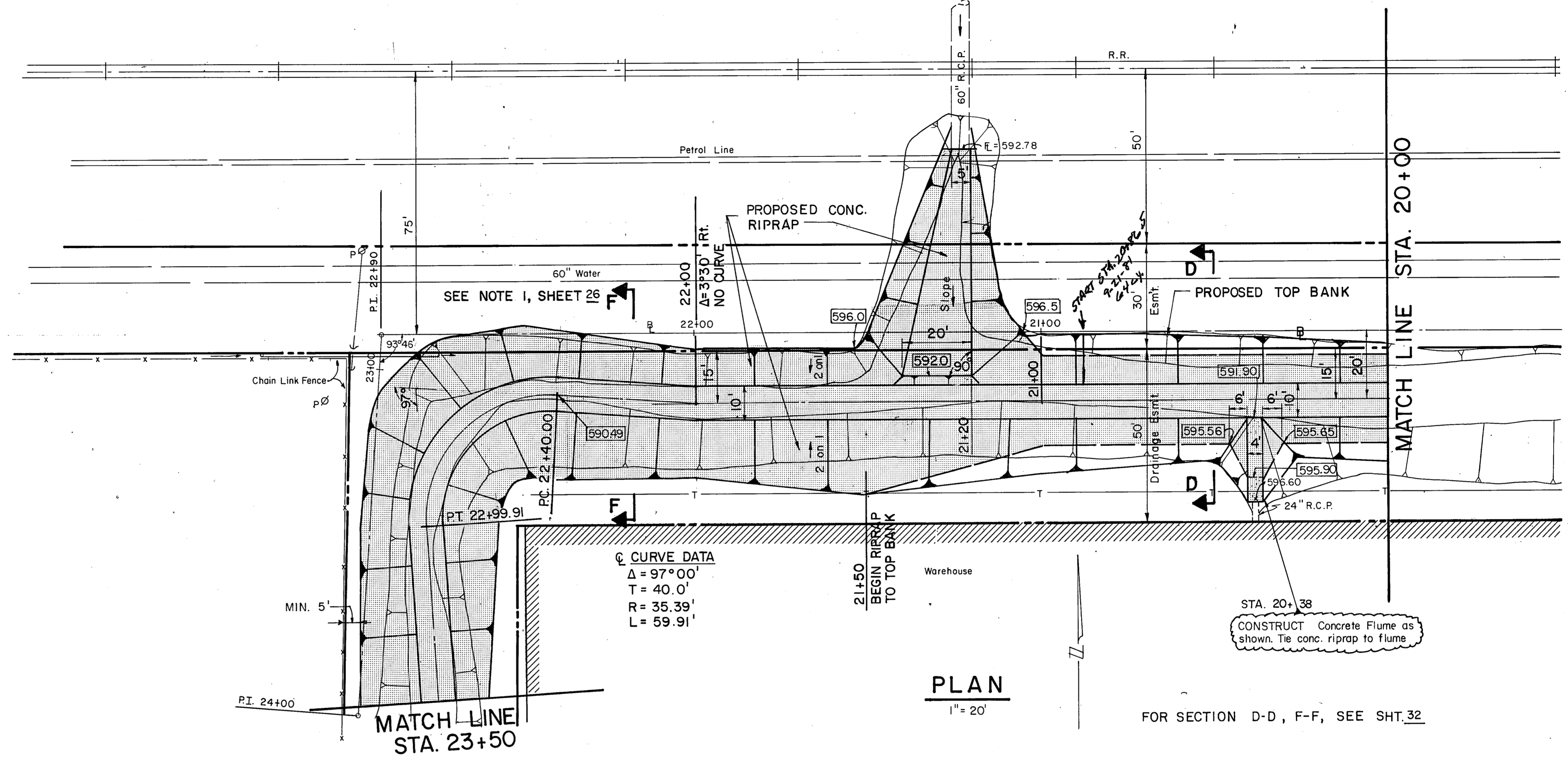
PIPE AT STA. 15+66.5

N.T.S.



FLUME AT STA. 20+38

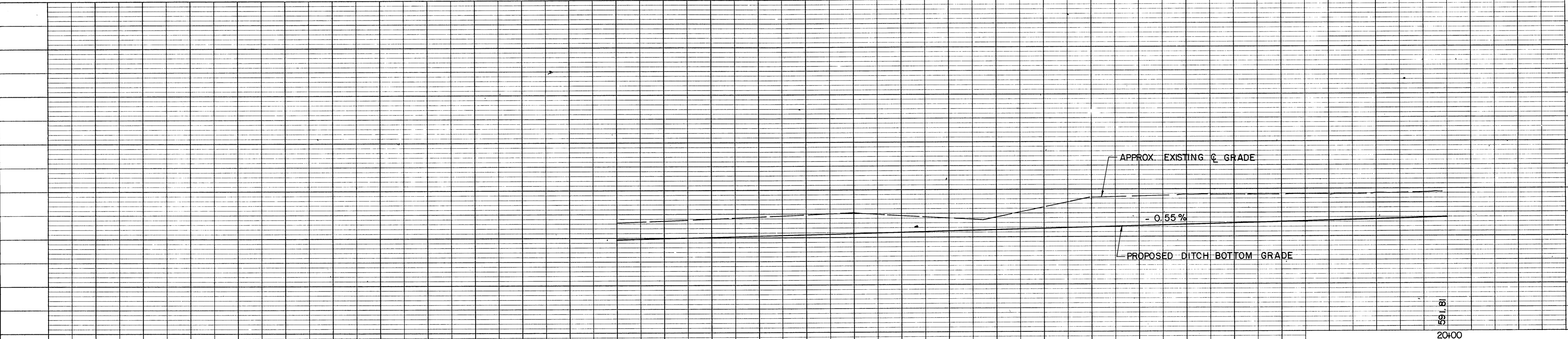
N.T.S.



PLAN

1" = 20'

FOR SECTION D-D, F-F, SEE SHT. 32



20+00

NO.	REVISION	BY	DATE
CITY OF ADDISON			
DRAINAGE DITCH			
MIDWAY ROAD IMPROVEMENTS			
STA. 20+00 to STA. 23+50			
GINN, INC., Consulting Engineers, Dallas, Texas			
DESIGNED - G.F.	DRAWN - G.F.	DATE - MARCH, 1981	FILE
APPROVED -	CHECKED -	SCALE - AS SHOWN	SHEET 30 OF