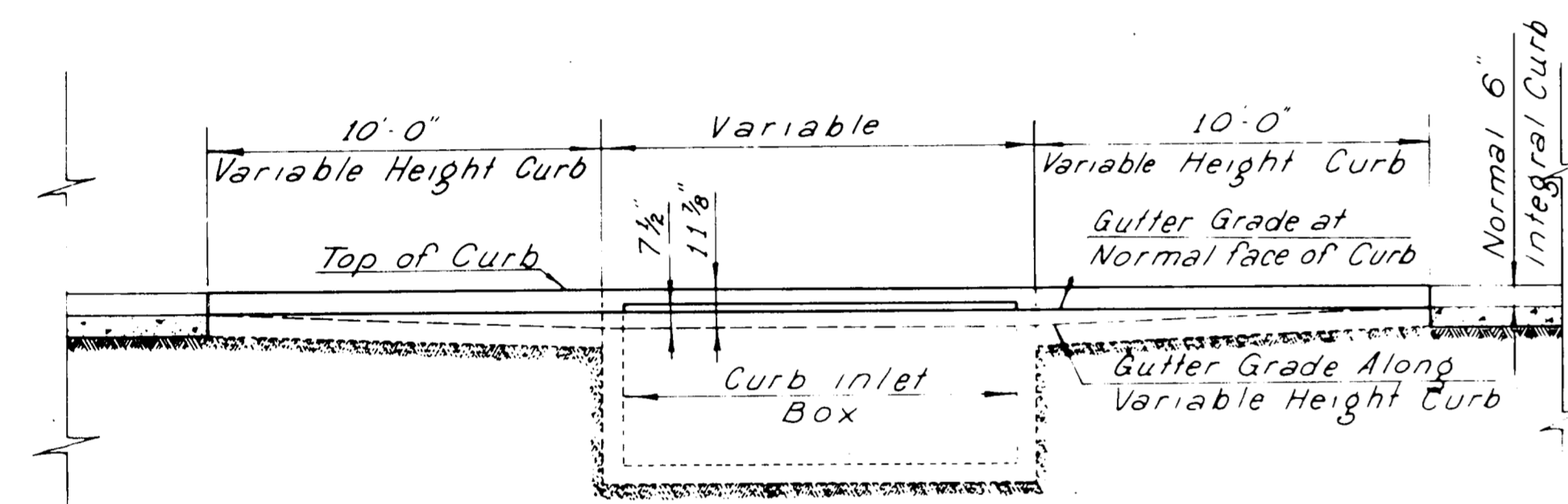
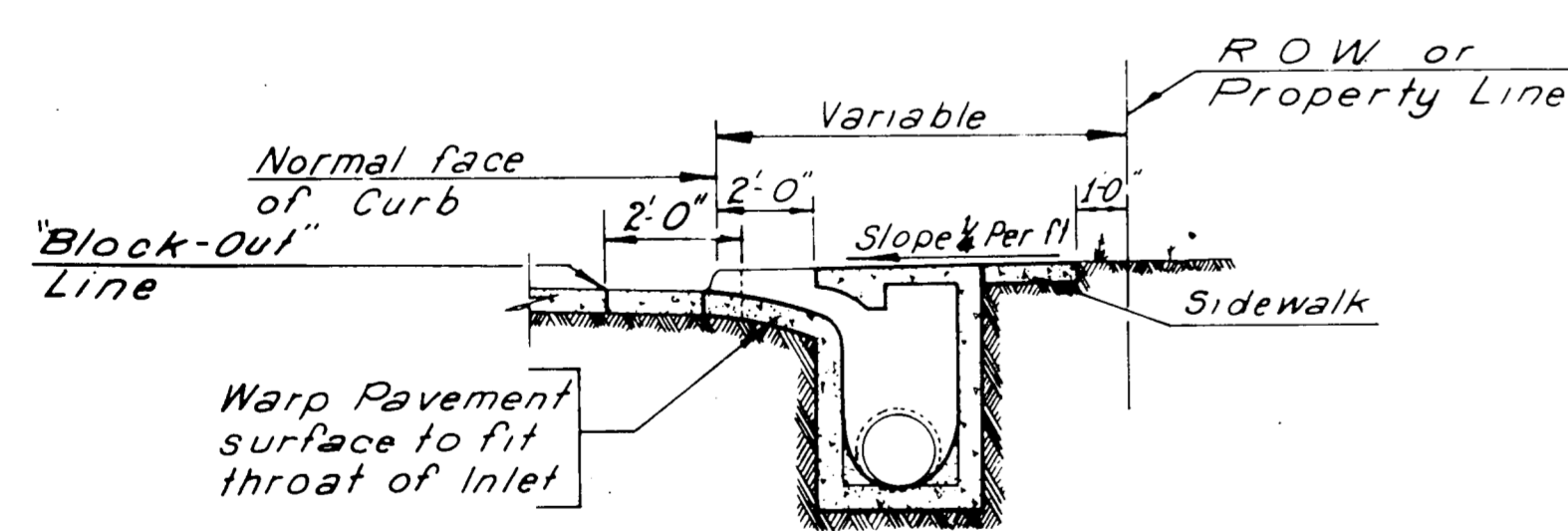


PLAN

Payment for Curb & Gutter with in these Limits to be included in Price Bid Per Curb Inlet



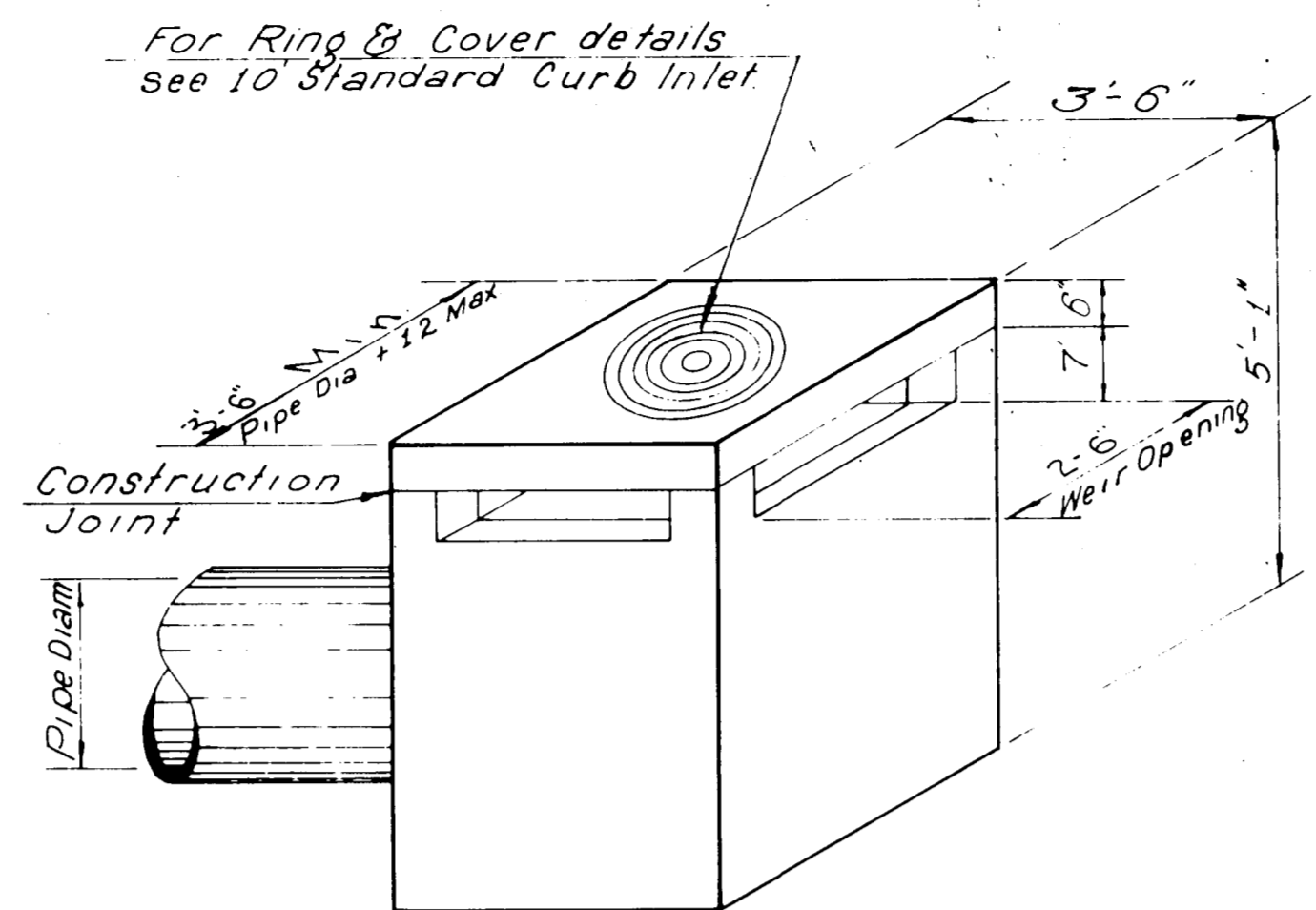
ELEVATION



SECTION A-A

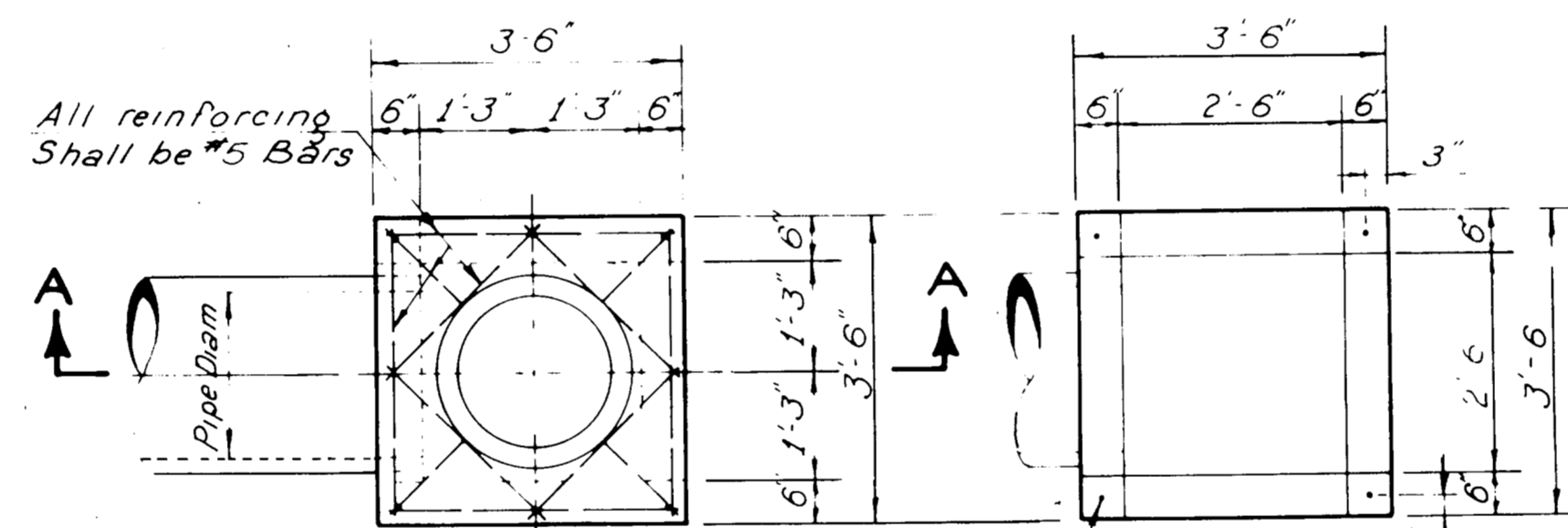
RECESSED STORM SEWER CURB INLET

SCALE 1/4" = 1'-0"



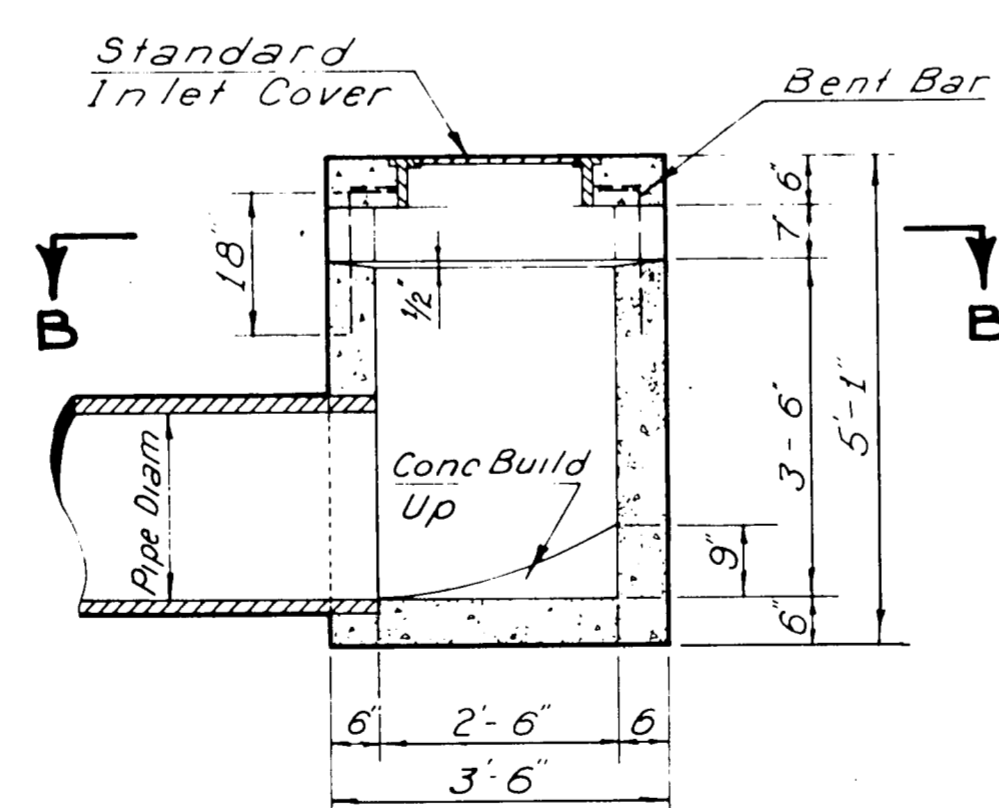
ISOMETRIC DETAIL

NOTE:
Type "X" Inlet - Weir opening are required on four sides
Type "Y" Inlet - Weir opening are required on two opposite sides



PLAN

SECTION B-B

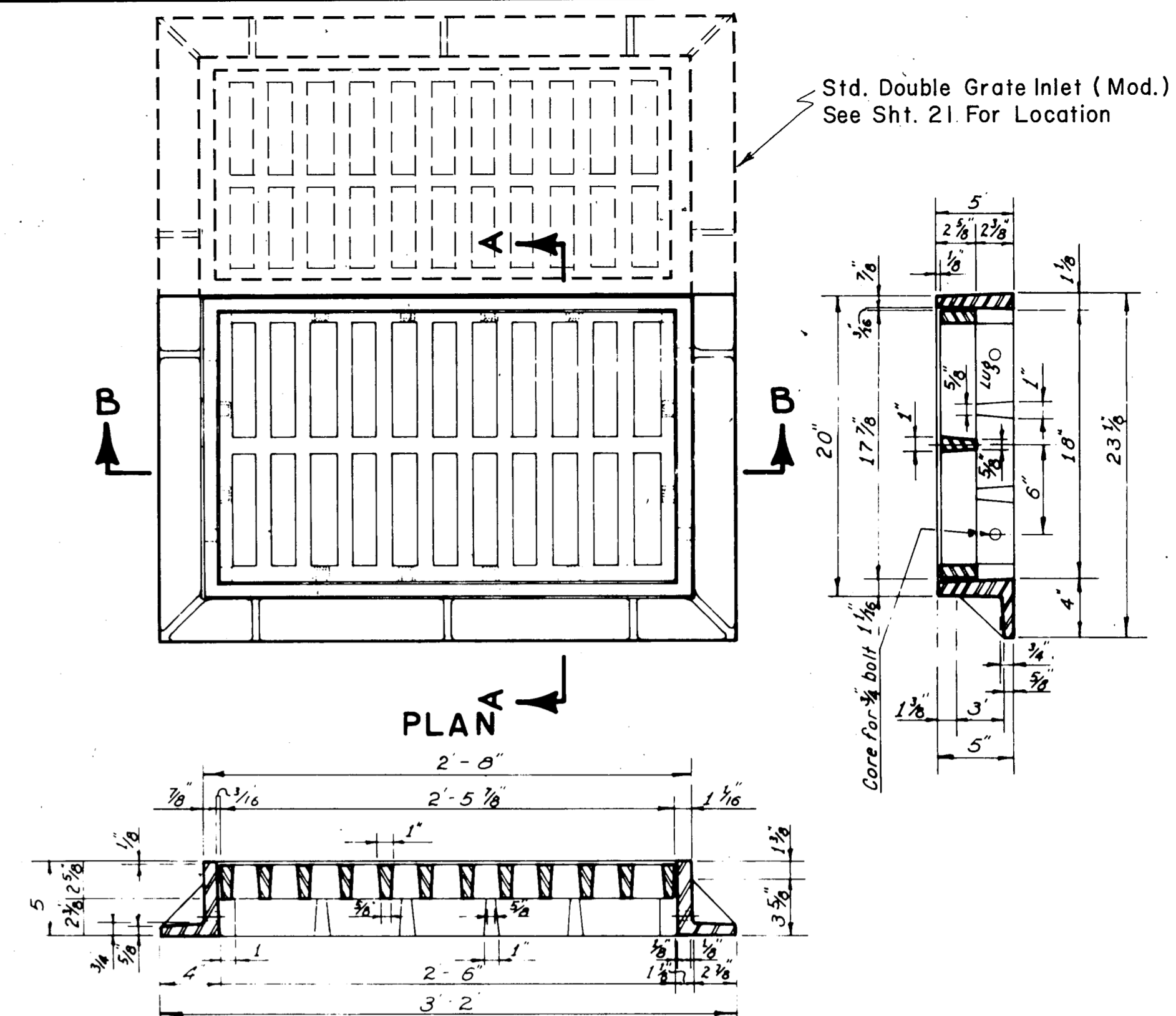


SECTION A-A

STANDARD TYPE "X" & "Y" INLETS

SCALE 1/2" = 1'-0"

NOT IN CONTRACT



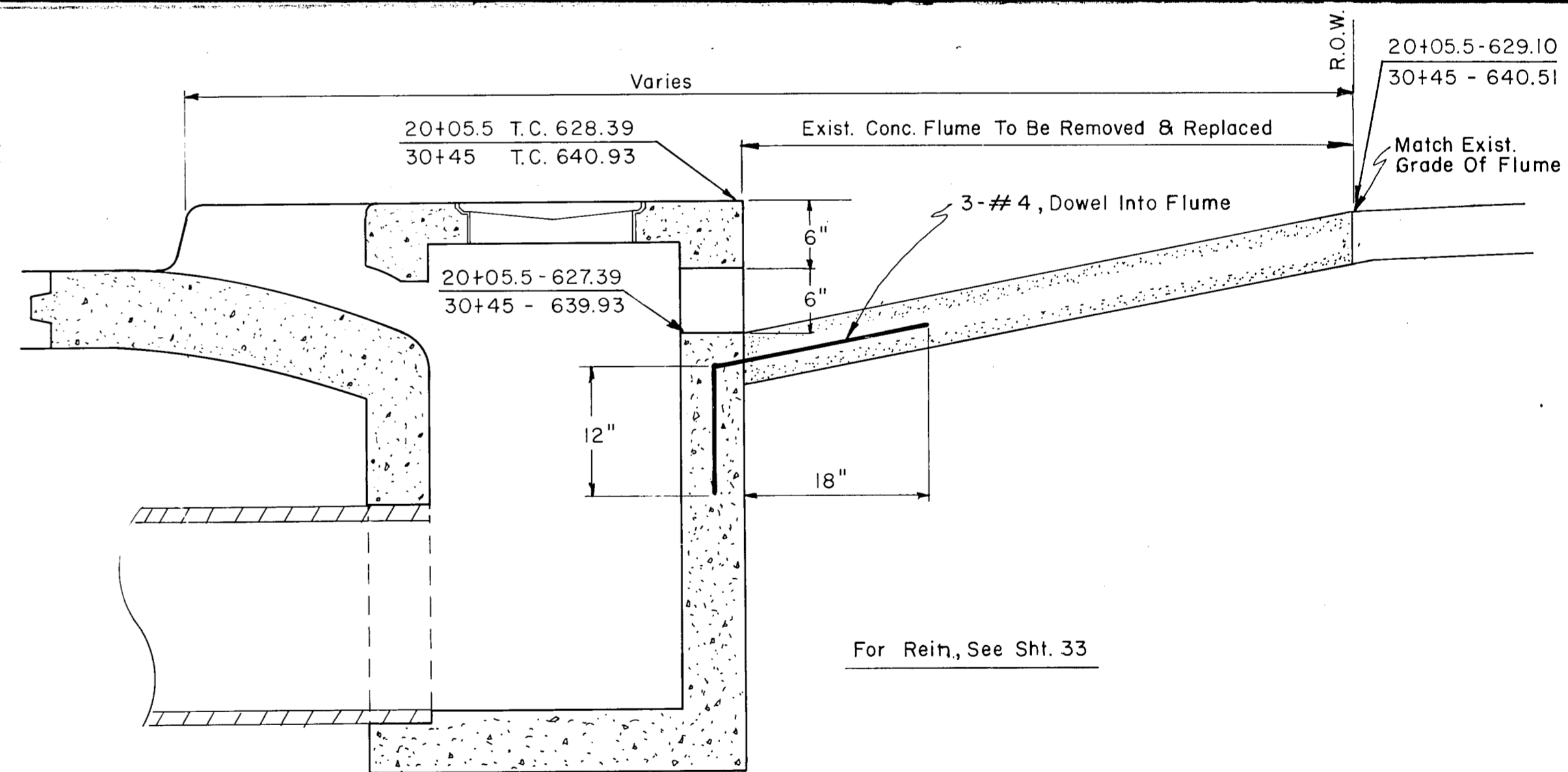
PLAN

SECTION A-A

SECTION B-B

INLET GRATE & FRAME

SCALE 1/2" = 1'-0"



10' MODIFIED RECESSED INLET

(STA. 20+05.5 AND STA. 30+45)

CITY OF ADDISON

MIDWAY ROAD IMPROVEMENTS

RECESSED CURB INLET DETAILS

| | | |
|----------------------|-----------------|------------|
| DESIGNER | CLIENT | DATE |
| CONSULTING ENGINEERS | CITY OF ADDISON | 11-20-1980 |
| APPROVED | CHECKED | SCALE |
| G.F. | G.F. | NONE |