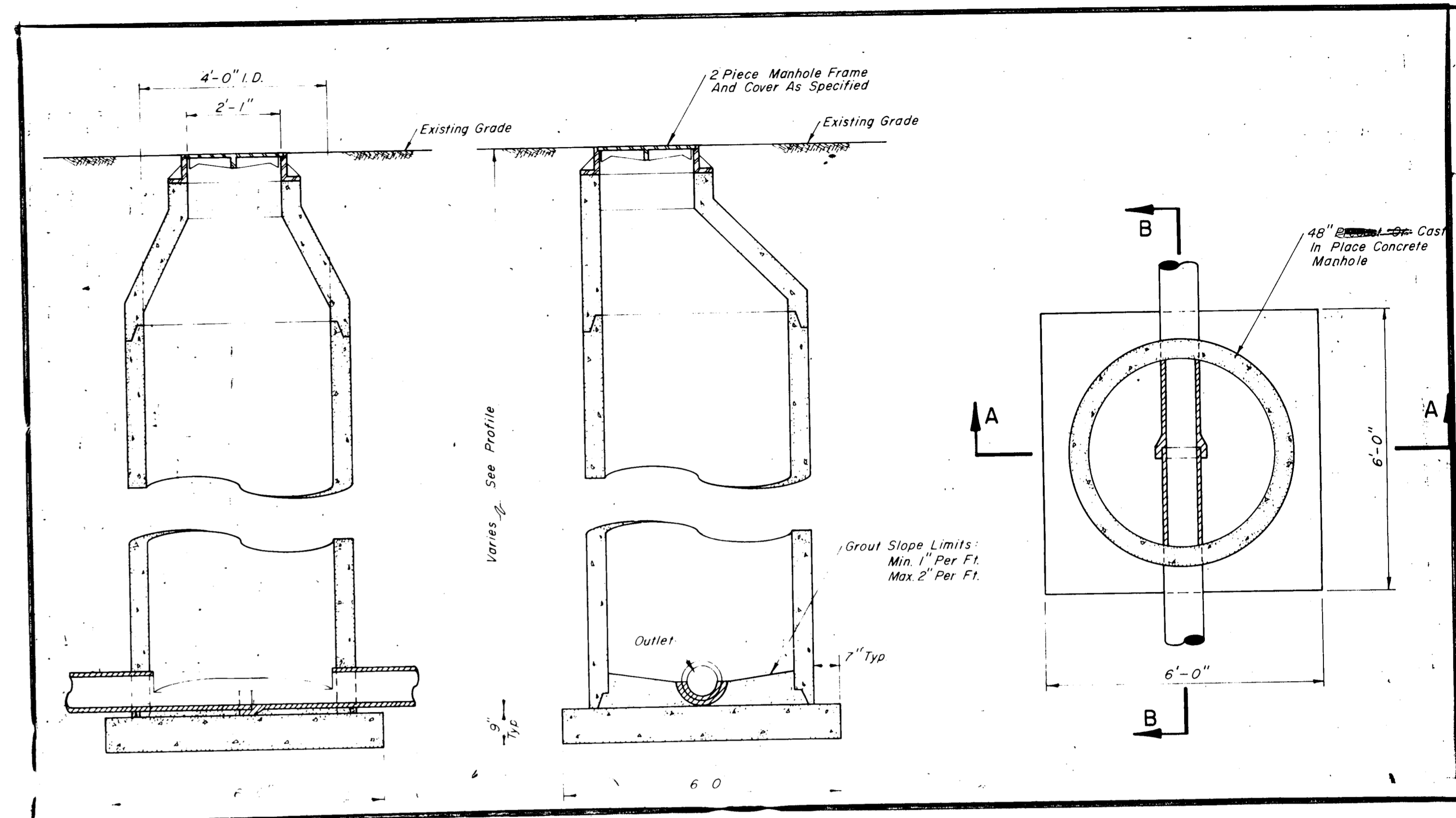


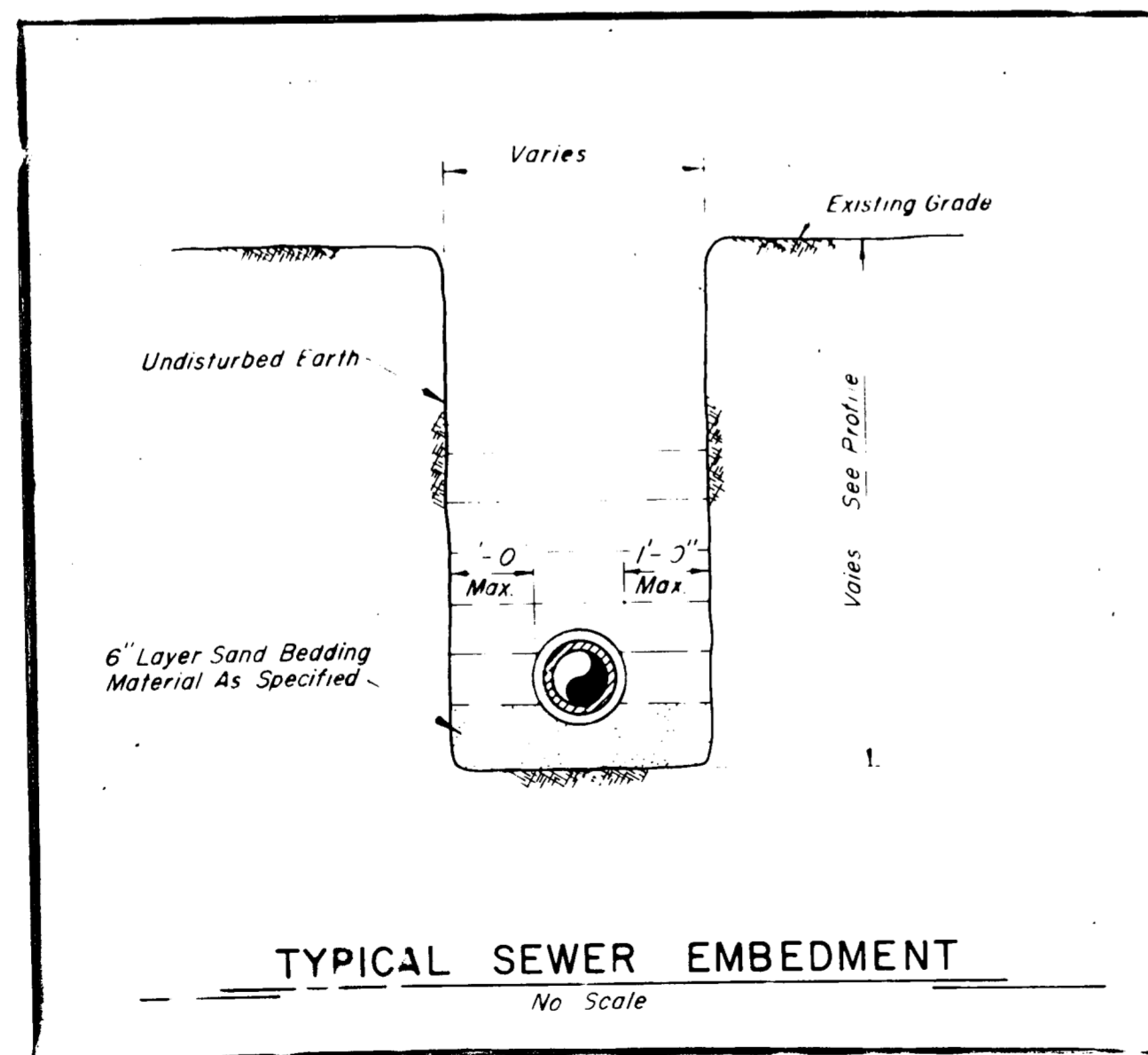
TYPICAL MANHOLE ADJUSTMENT

NOTE

- Sanitary sewer shall be kept clear of broken concrete, dirt, or any other debris resulting from construction operations.
- Pipe to be extended or replaced will be of the same type as the existing unless alternate type is approved by the Engineer.
- Castings, covers or any other material parts which may be damaged or lost by the contractor's operations will be replaced at the contractor's expense with City standard appurtenances.
- The adjusted facilities must be clean, fully operational and equal in quality with new construction at the time of final inspection of the project.

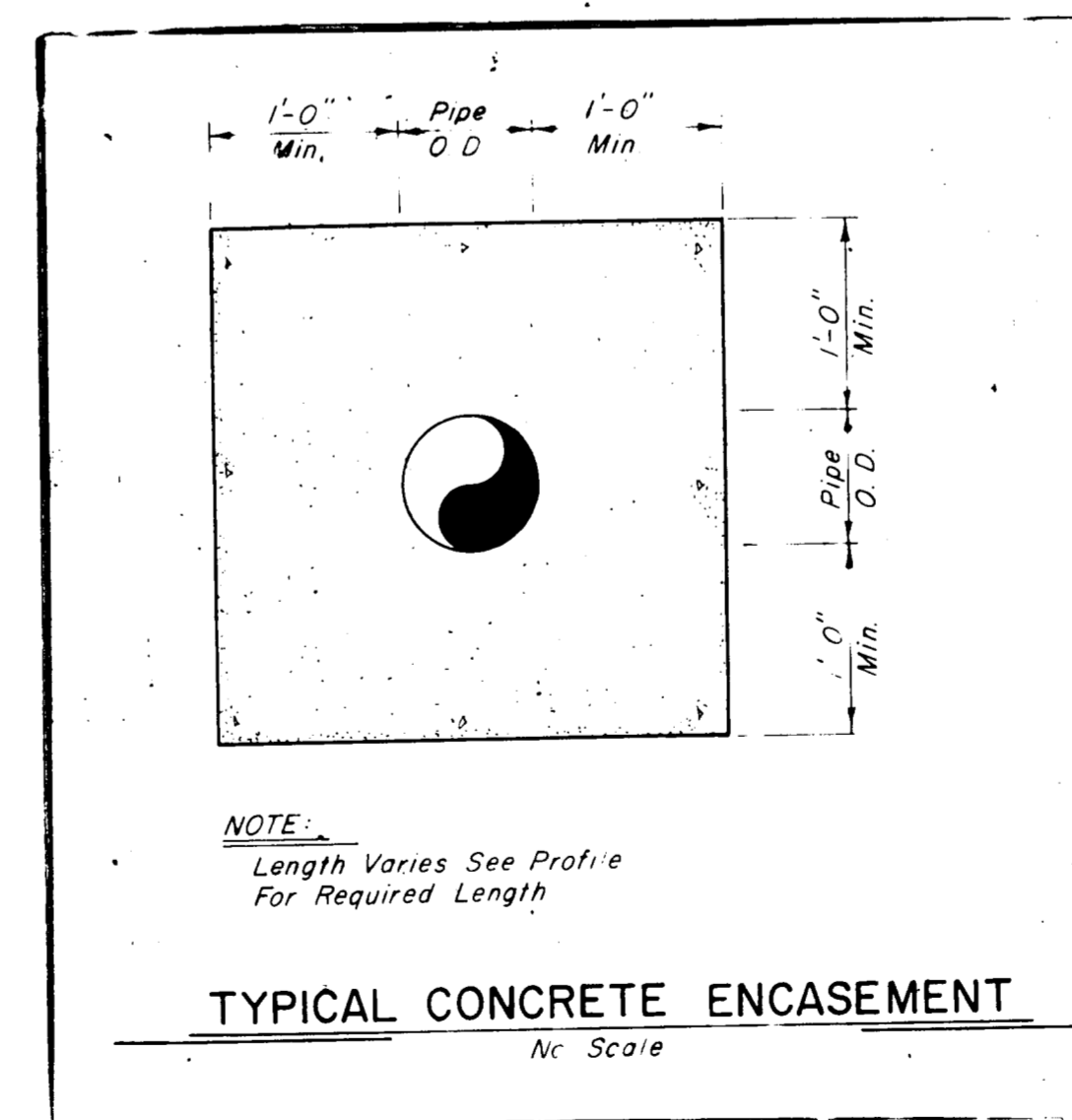


TYPICAL MANHOLE DETAIL



TYPICAL SEWER EMBEDMENT

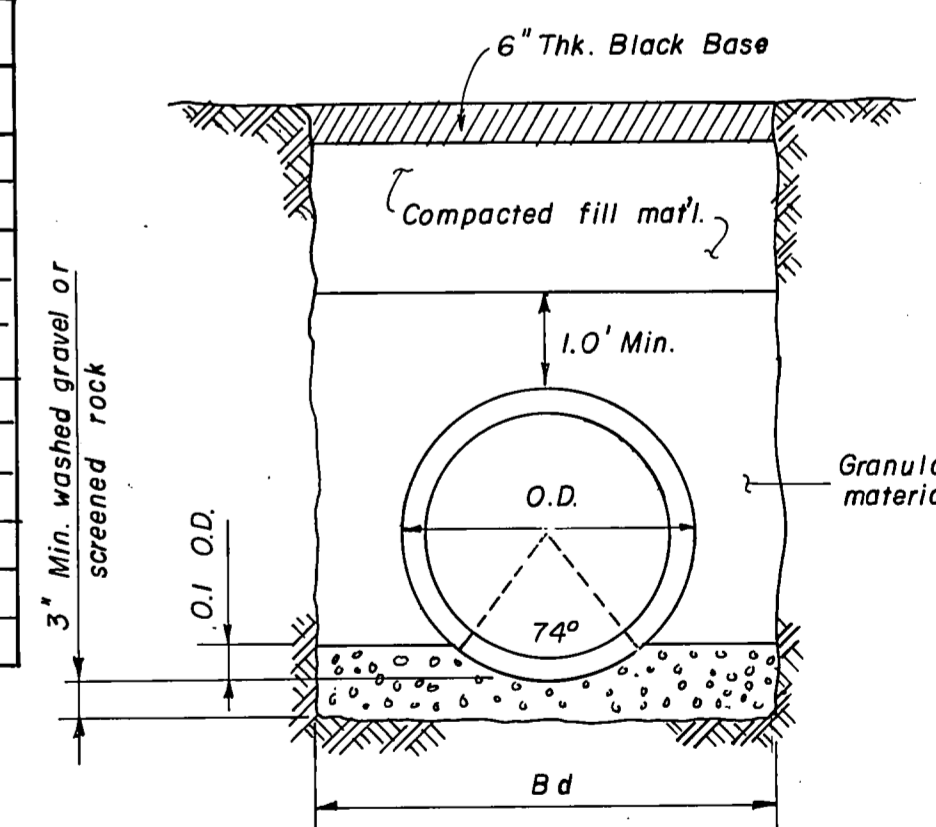
No Scale



TYPICAL CONCRETE ENCASEMENT

No Scale

PIPE DIA.			CUBIC YARDS PER 100 L.F.	
I.D.	O.D.	Bd	GRAVEL	GRANULAR MATERIAL
15"	19"	39"	4.53	22.28
18"	22.5"	42"	5.13	25.15
21"	26"	45"	5.76	28.03
24"	29.5"	48"	6.42	30.94
27"	33"	51"	7.11	33.86
30"	37"	54"	7.85	36.72
33"	40.5"	57"	8.59	39.64
36"	44"	60"	9.36	42.58
39"	47.5"	63"	10.16	45.53
42"	51"	66"	10.99	48.51
48"	58"	72"	12.72	54.51



STORM SEWER EMBEDMENT

CITY OF ADDISON

MIDWAY ROAD IMPROVEMENTS

TYPICAL MANHOLE STANDARD DET.

GINN, INC., Consulting Engineers

DESIGNED - R.G.B. DATE - March, 1981

CHECKED - SCALE - None SHEET 35 OF 35