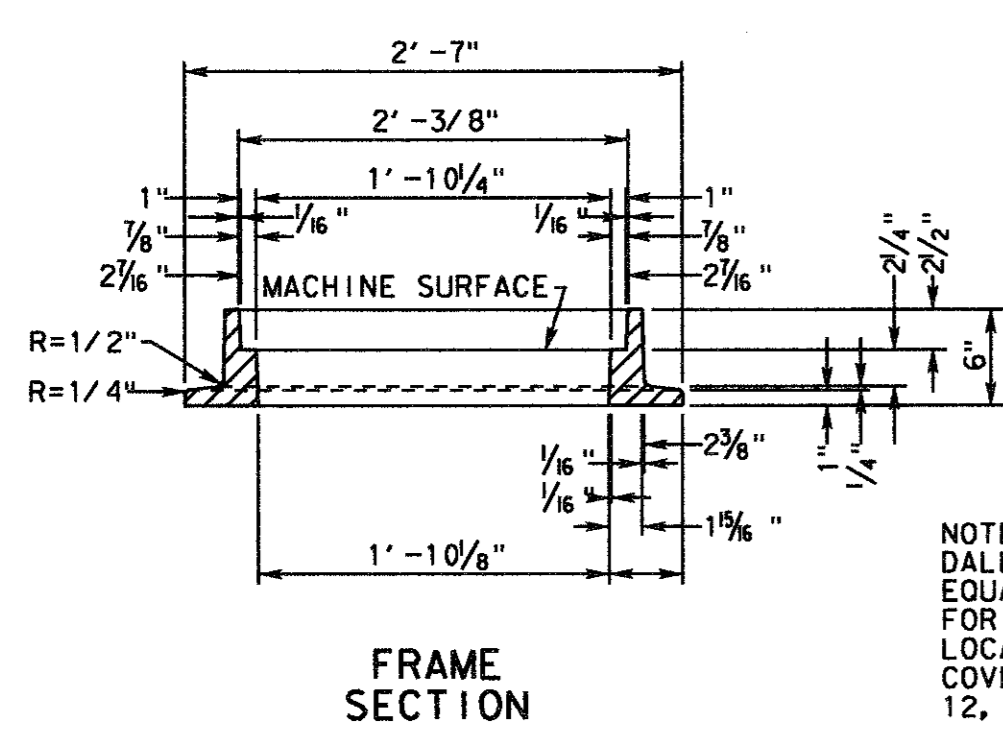
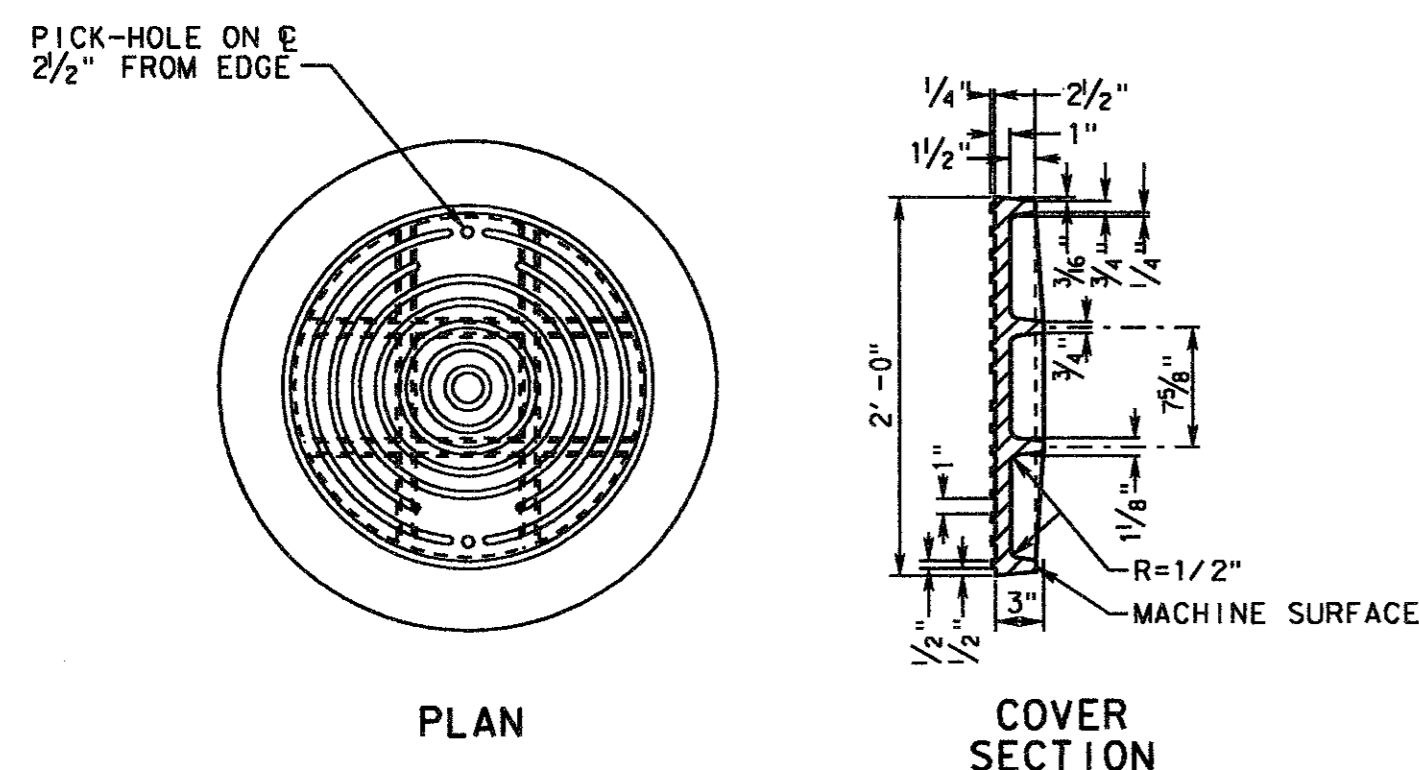
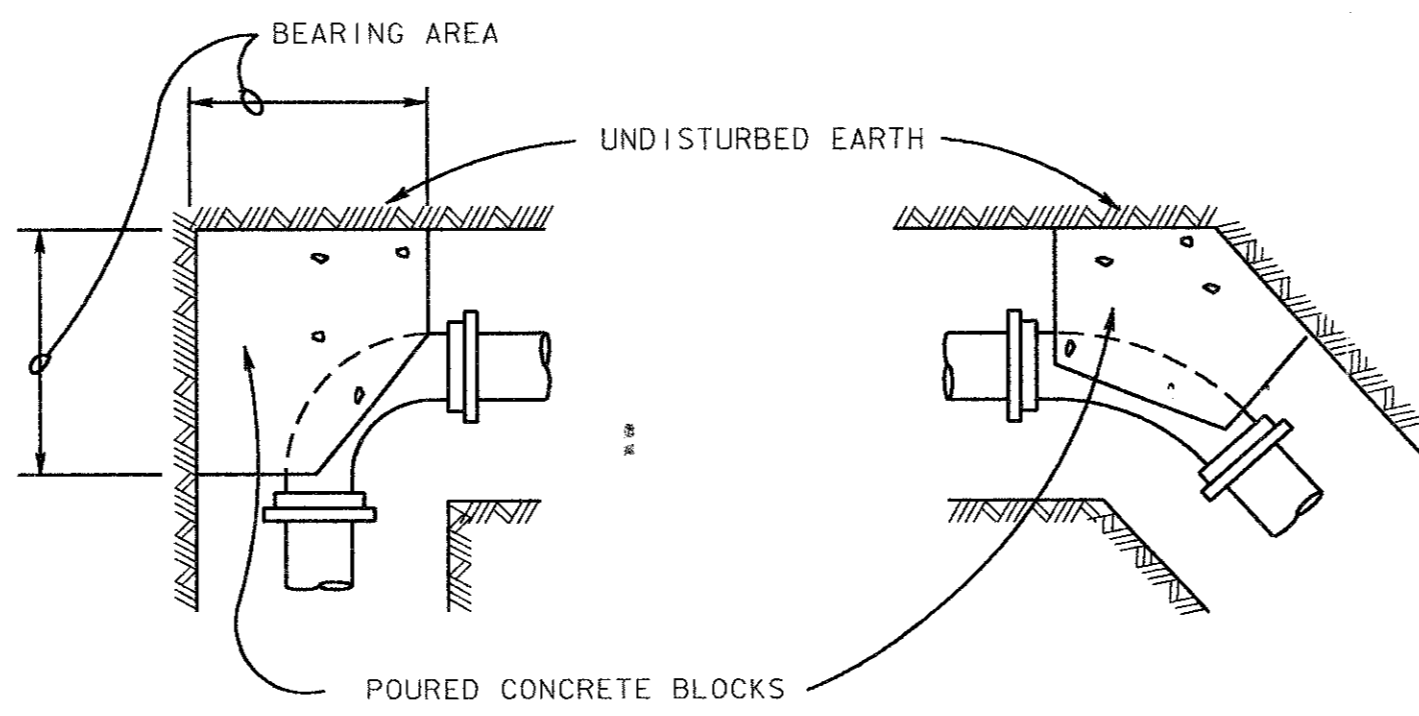


USER: JAC AND ASSOCIATES, INC. PROJECT: BELTLINE SANITARY SEWER, PHASE 1, STATION 11+00 TO 21+00, DALLAS, TEXAS. SHEET: 10 OF 11. DATE: 03-23-95.



**MANHOLE COVER AND FRAME STANDARD**

NOTE: DALLAS FOUNDRY 700-8, OR EQUAL, 400 FRAME AND COVER. FOR OTHER THAN STREET LOCATIONS, 300 FRAME AND COVER (DALLAS FOUNDRY 700-12, OR EQUAL) MAY BE SUBSTITUTED.

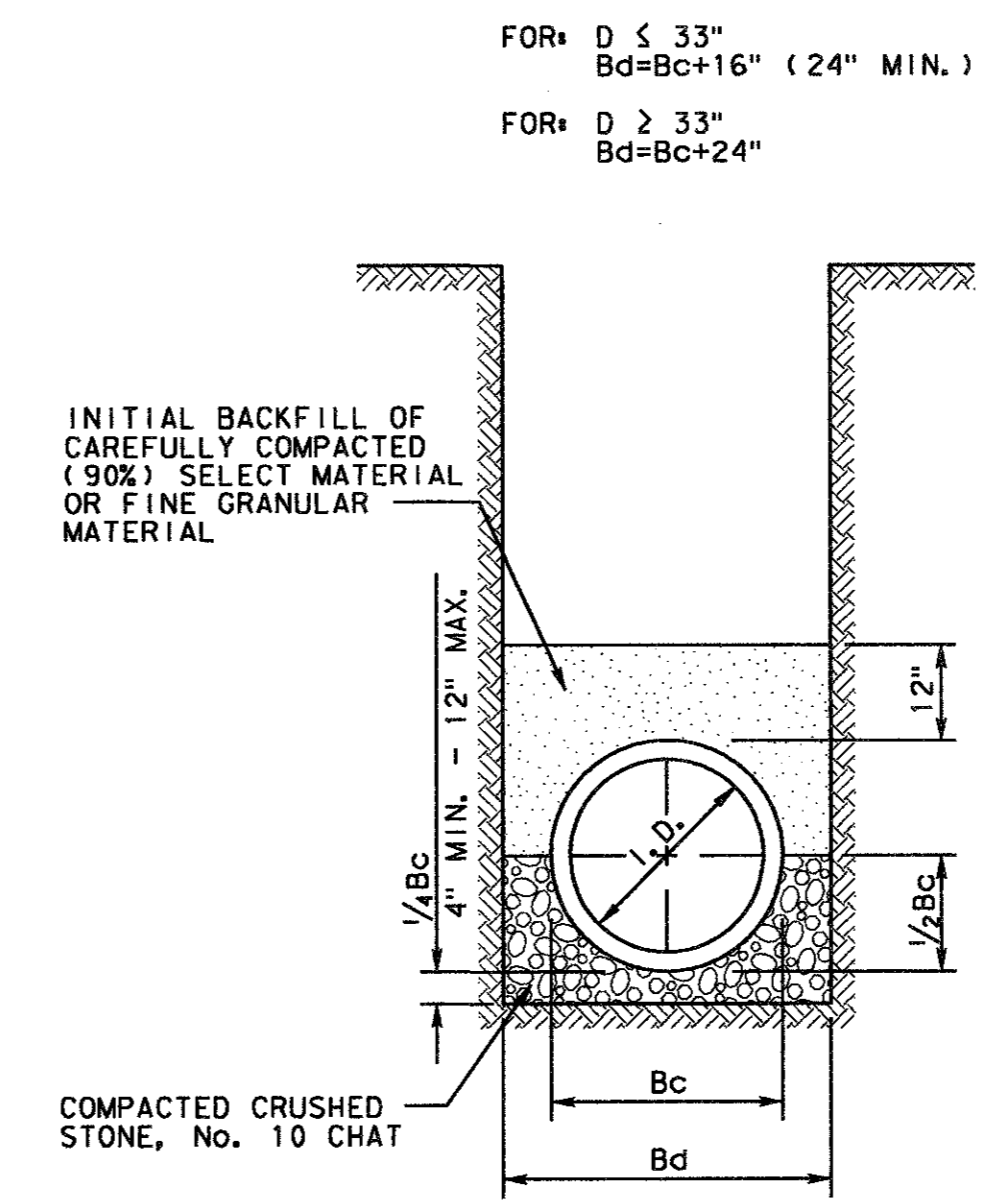


FITTING SIZES	BEARING AREA OF BLOCK IN SQ. FT.				
	TEE & END	90° BEND	45° BEND	22 1/2° BEND	11 1/4° BEND
6"	3.6	5.4	2.5	1.5	0.8
8"	6.3	8.9	4.8	2.5	1.3
10"	9.9	13.9	7.6	3.9	2.0
12"	14.2	20.0	10.9	5.6	2.8

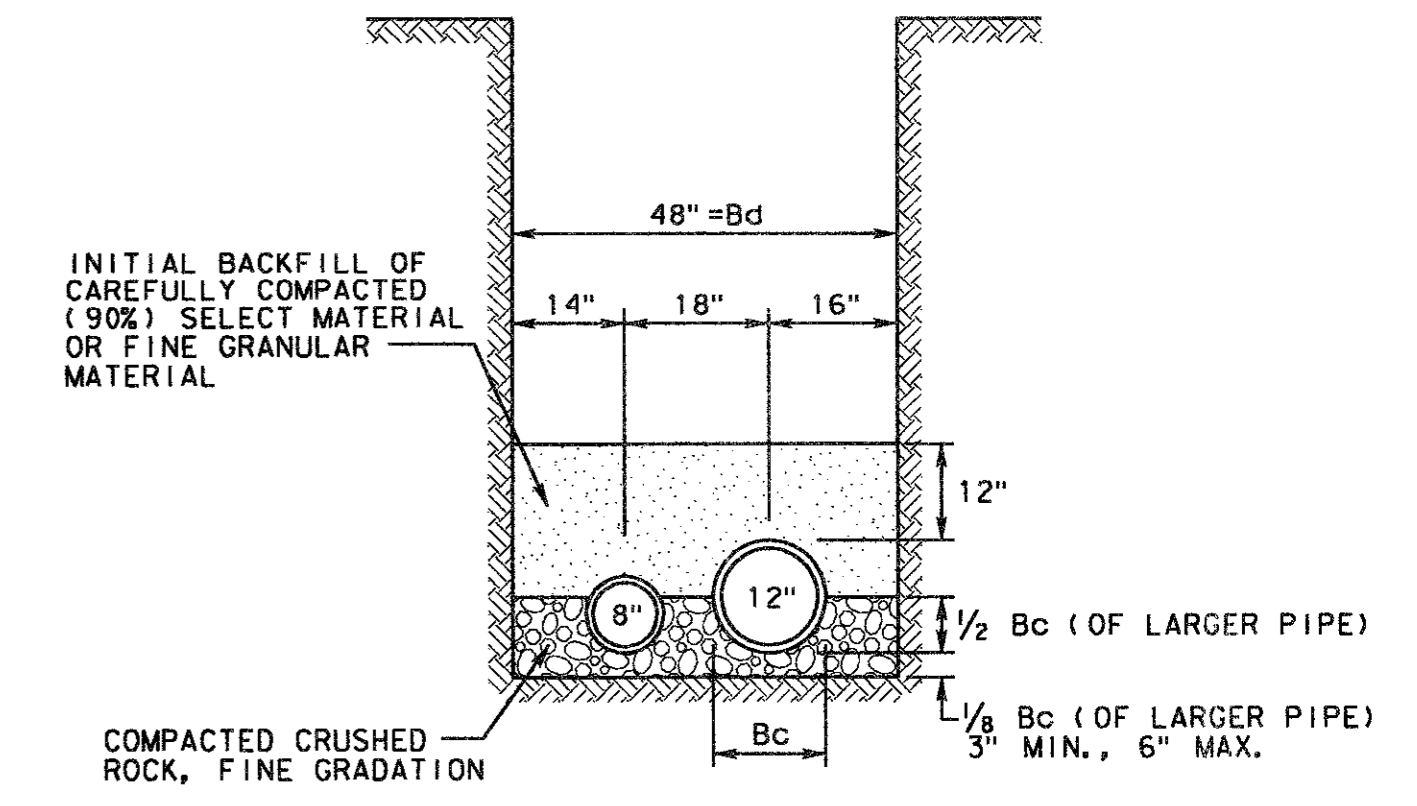
NOTE: AREAS BASED ON PIPE BURST PRESSURE OF 250 PSI. SOIL BEARING PRESSURE MULTIPLIER

1000	2.0
1500	1.33
2000	1.0
3000	0.67

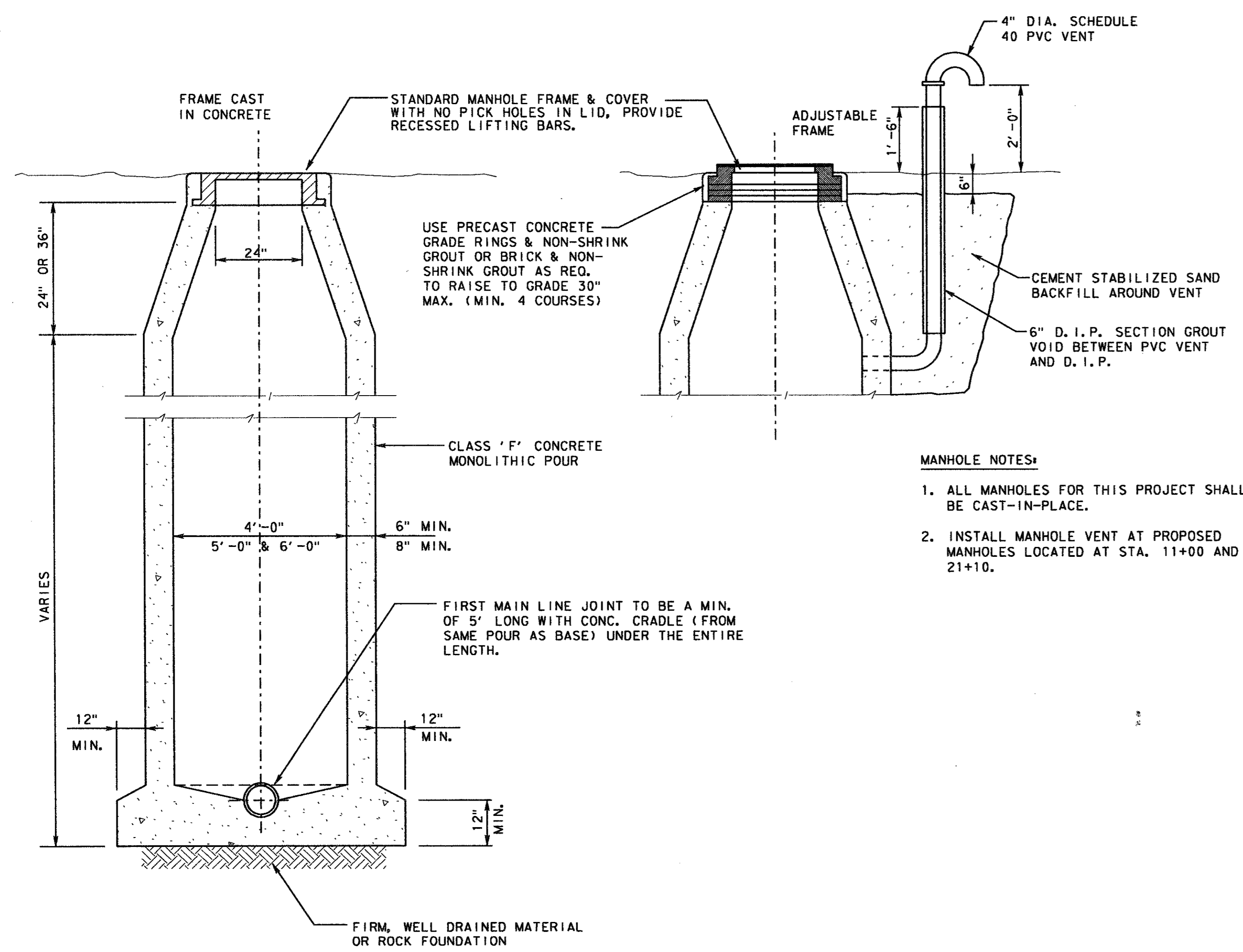
**THRUST BLOCK DETAILS**  
NOT TO SCALE



**BEDDING DETAIL CLASS "B"**

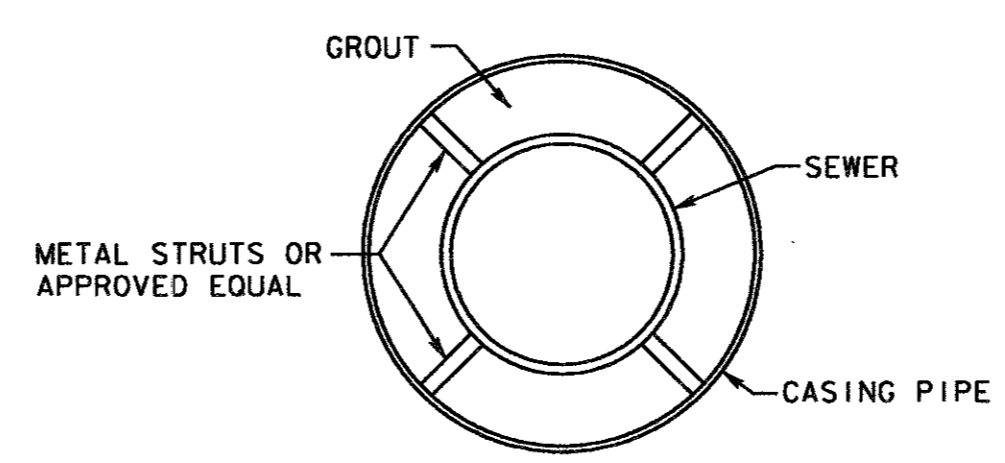


**PVC FORCEMAIN EMBEDMENT DETAIL**



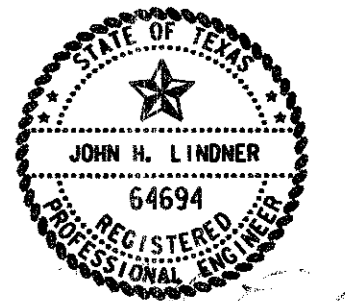
**STANDARD CAST-IN-PLACE CONCRETE MANHOLE**  
NOT TO SCALE

- MANHOLE NOTES:**
- ALL MANHOLES FOR THIS PROJECT SHALL BE CAST-IN-PLACE.
  - INSTALL MANHOLE VENT AT PROPOSED MANHOLES LOCATED AT STA. 11+00 AND 21+10.



CARRIER PIPE (DIA.)	CASING PIPE (DIA.)	STEEL PIPE WALL THICKNESS
8"	16"	1/4"
12"	20"	3/8"
15"	24"	1/2"

**CASING DETAIL FOR BORING**



4			
3			
2			
1			
NO.	DATE	REVISION	APPROV.
TOWN OF ADDISON, TEXAS			
MIDWAY/BELTLINE SANITARY SEWER			
SANITARY SEWER DETAILS			
( )			
<b>Carter-Burgess</b>			
<small>Consultants in Engineering, Architecture, Planning and the Environment          CARTER &amp; BURGESS, INC.          7550 ELMBROOK DRIVE, SUITE 250          DALLAS, TX 75247-4961</small>			
Unit	Scale 1" = 2'	Date	03-23-95
Designed	D. Moore	Checked	J. Lindner
Drawn	B. Sowell	Approved	J. Lindner
		Job No.	93327601D
		Sheet	10 of 11